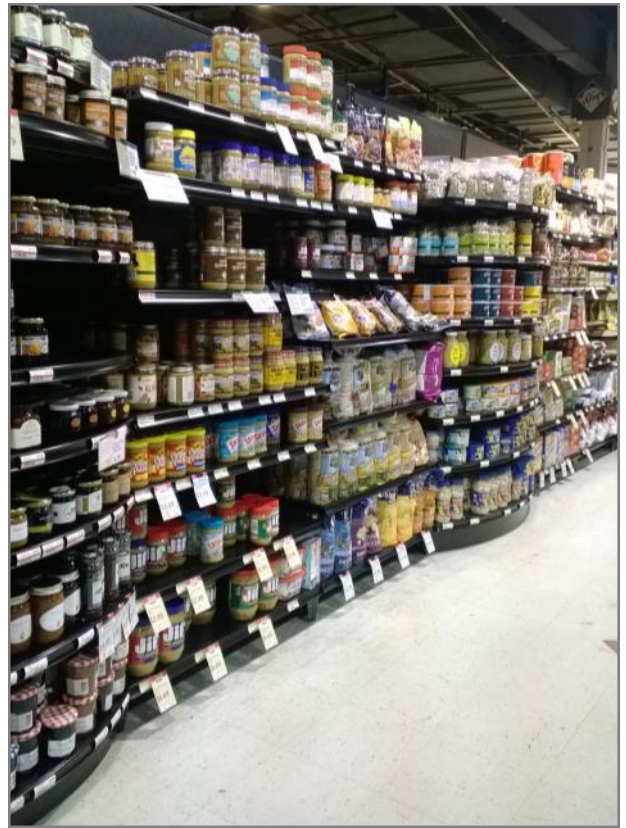


Benefits - Convenience, Selection, Value **Results** - Accuracy, Delivery, Completion **People** - Experienced, Responsive, Thorough





Finding the proper mix of retail fixtures for your store can be difficult. Bring your questions, retail fixture needs, or display problems to us and one of our industry specialists will pair you with the display fixtures that will best support your program.

Whether you are opening a new retail business or updating fixtures across numerous outlets, we are dedicated to providing solutions to your merchandising challenges. Our industry expertise will provide attractive retail fixtures, gondola shelving, and merchandising accessories that guarantee your retail success.

At Midwest Retail Services, our goal is to match high quality retail fixtures to your merchandising vision through a unique blend of products and solutions.

Find out more about how Midwest Retail Services can help your program grow and succeed by calling **800-576-7577** or contacting us at info@mw-rs.com.

Midwest Retail Services ---

Benefits - Convenience, Selection, Value **Results** - Accuracy, Delivery, Completion **People** - Experienced, Responsive, Thorough

CORE PRODUCTS

- Gondola Shelving
- Pharmacy Shelving & Cabinets
- Peghooks & Accessories
- Gondola Shelving Signage
- Retail Widespan Racking
- Backroom Storage Shelving
- Slatwall & Slatwall Fixtures
- Bulk Floor Displays
- Wood Fixtures-Custom Millwork
- Baskets & Shopping Carts

CORE SERVICES

- Multi-brand distributor
- In-Stock Products
- Store Design Assistance
- Consolidation Services
- POP Display Programs
- Chain Store Fixture Support Programs
- Rollout Management
- Installation Services
- Custom Designed Accessories

Streater™

Lozier®

Madix™

Uniweb™

Southern Imperial™

Trion®

MEG®

Boni™

Gondola Shelving



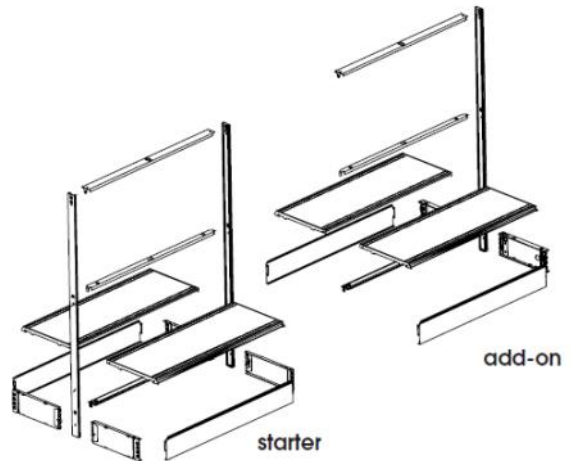
STREATER

FEATURES

- Heavy duty 12 gauge uprights roll-formed to close tolerances and single slotted 1-1/4" on center. Each shelf bracket has its own slot.
- 2-1/2" upright meets all load requirements for gondola and wallcase up to 12,000 inch lbs.
- 4 position standard upper shelves
- Straight-In, I beam designed base arms
- Starter and add-on units.

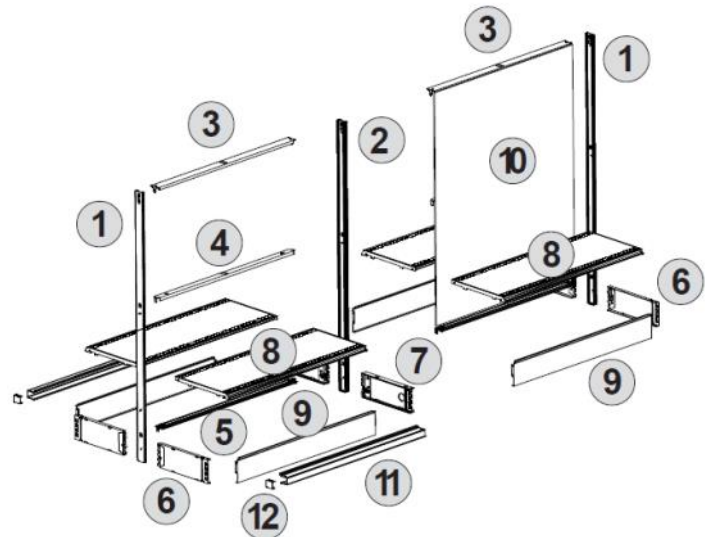
AVAILABLE SIZES

Width	30', 36" or 48"
Height	38", 51", 61", 66", 71", 86", & 96"
Depths	12" - 28"
Backs	Solid, Pegboard, Perf & Groove, and Slatwall
Colors	See page 5
Shelving	4 Position upper shelves

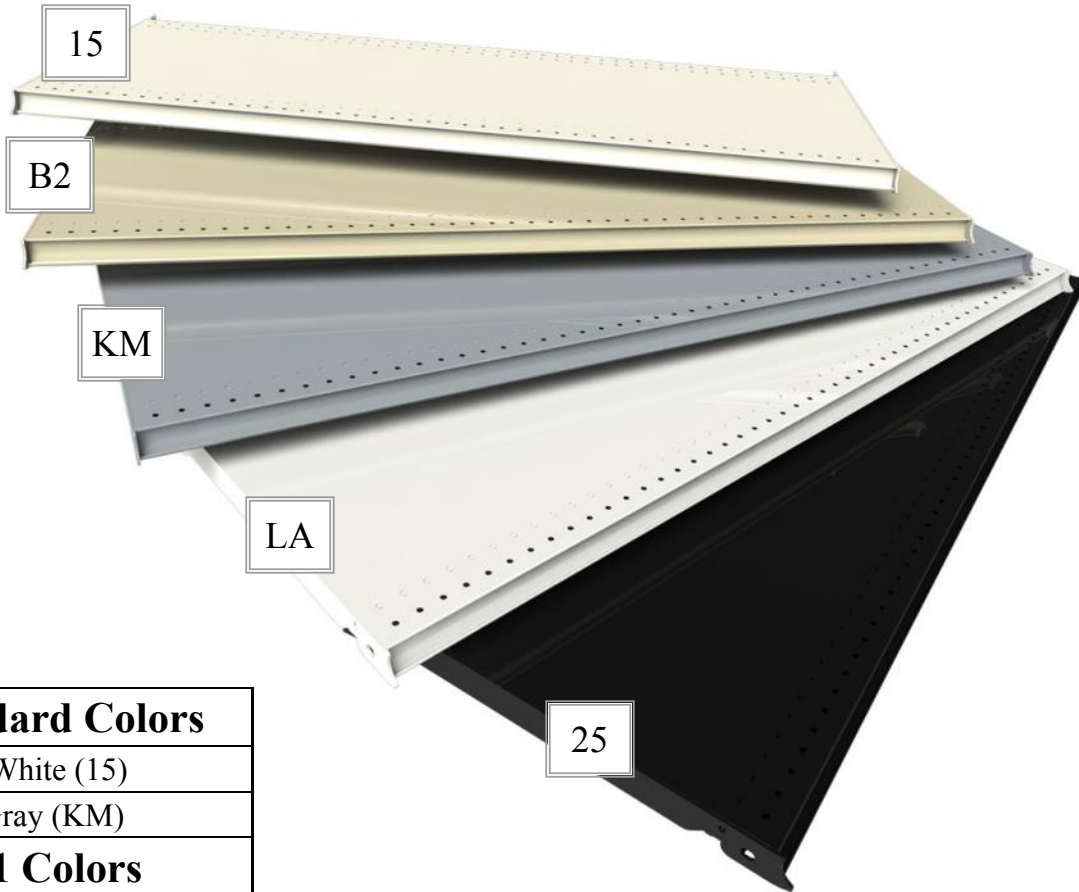


COMPONENTS

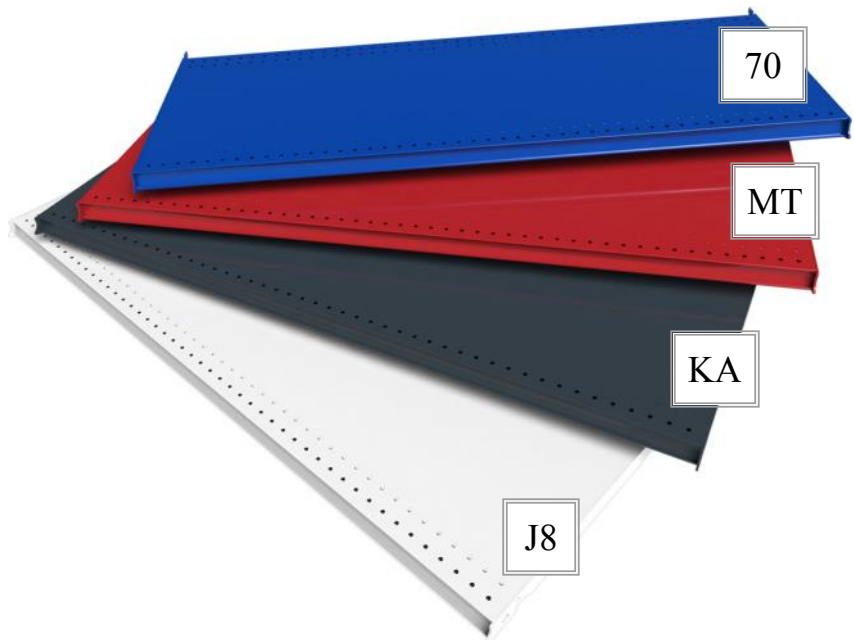
1	2-1/2" end standard	8	Base deck
2	2-1/2" center standard	9	Kick plate
3	Top cap	10	Back panel
4	Tie bar	11	Trimguard base nose
4a	Slatwall tie bar	12	Trimguard end cap
5	Cross tie	13	Flush base
6	End bottom arm	14	Extender standards
7	Center bottom arm		



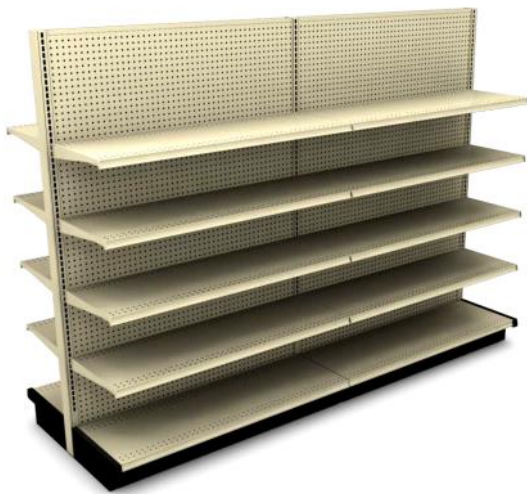
Streater™ Ultra Colors



Standard Colors
Décors White (15)
Dove Gray (KM)
Tier 1 Colors
Sahara (B2)
Frosty White (LA)
Black (25)
Tier 2 Colors
Bright Blue (70)
Liberty Red (MT)
Charcoal (KA)
Skyline Gray (GX)
Bright White (J8)



Gondola Shelving



FEATURES

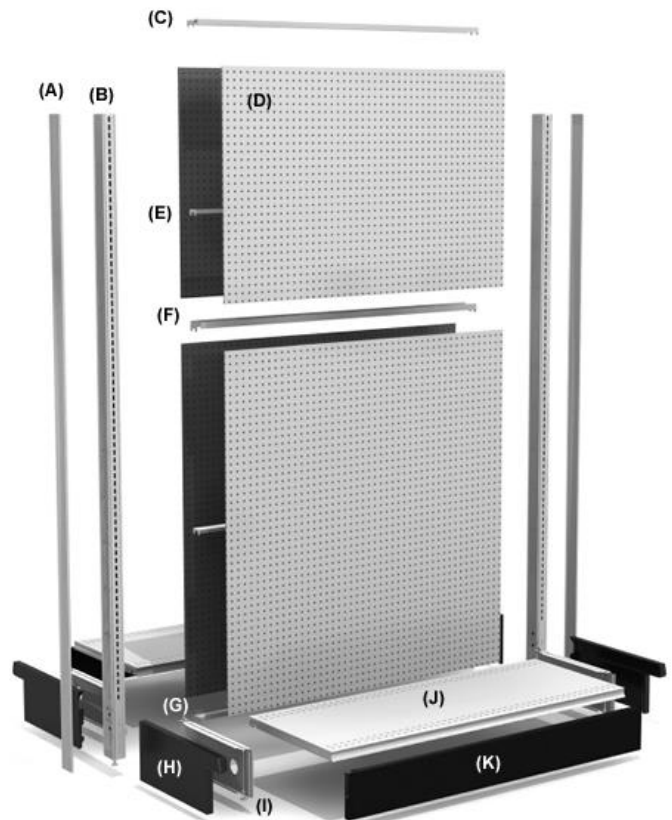
- Steel welded construction
- Single slotted 1" on center
- Each shelf bracket shares an upright slot
- Load capacity of 13,000 inch lbs. per section
- 2 position standard TL upper shelves
- 06 Style spring loaded base brackets
- Island and Wall kits consist of sections and ends

AVAILABLE SIZES

Width	30", 36" or 48"
Height	36" - 96" in 6" increments
Depths	13", 16", 19", 22", 25", 28" and 31"
Backs	Solid, Pegboard, and Slotwall
Colors	See page 7
Shelving	2 Position upper shelves

COMPONENTS

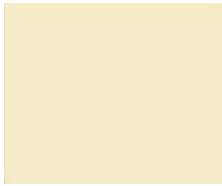
A	Upright Trim
B	Upright
C	Top Rail
D	Back Panel
E	Center Rail
F	Splicer Rail
G	Bottom Rail
H	Base End Trim
I	Base Bracket
J	Base Deck
K	Closed Base Front



Lozier® Colors

Standard Color

Platinum: PLT



Tier 1 Colors

Gray: GRY



Silver Gray: SIL



Charcoal Black: CHR



White W HT



Tier 2 Colors

Royal Blue: RBL



Yellow: YEL



Hunter Green: G35



Primary Red: R53



Cool White: W08



Foundry: A37



Dark Rust: N74



Classic Copper: N81



Khaki: T74



Tuscan Olive: G89



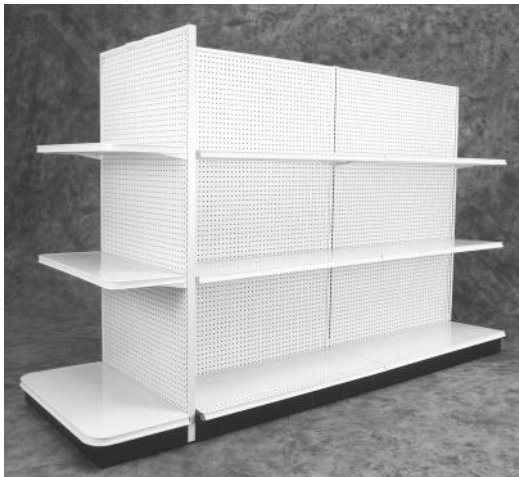
Oyster: A65



Indigo: B45



Gondola Shelving



FEATURES

- Single slotted 1" on center
- Each shelf bracket shares an upright slot
- Load capacity of 15,000 inch lbs. per section
- 3 position standard upper shelves
- I-Beam design spring loaded base shoes
- Gondolas kits consist of sections and ends

AVAILABLE SIZES

Width	30', 36" or 48"
Height	36" - 96" in 6" increments
Depths	12" - 32" in even increments
Backs	Solid, Pegboard, and Slatwall
Colors	See page 9
Shelving	3 Position upper shelves

Gondola Ends

One Maxi Line Gondola End is required to complete any length Gondola run.

Each Maxi Line Gondola End consists of:

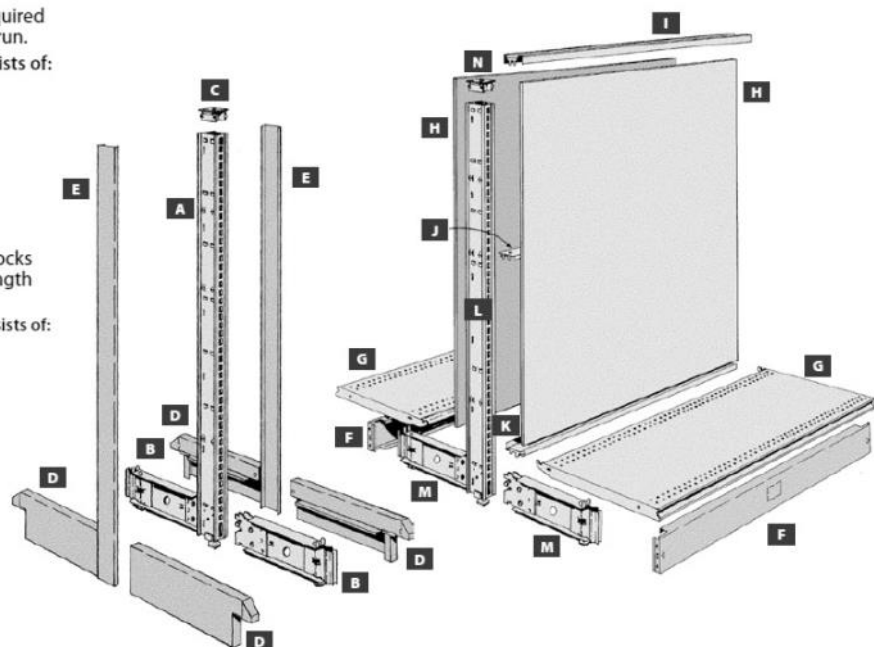
- A** One Basic Upright
- B** Two Base Shoes
- C** One Upright Cap
- D** Two pair Base End Covers
- E** Two Upright End Covers

Gondola Sections

Each Maxi Line Gondola section locks to the adjacent section for any length Gondola run.

Each Maxi Line Gondola Section consists of:

- F** Two Kickplates
- G** Two Base Shelves
- H** Two backs, HH, PP or HP, two piece backs at 78" and above
- I** One STL Upper Spanner
- J** One SC Center Spanner from 42" up to 96", plus one SS Splicer Spanner at 78" and above
- K** One SL Lower Spanner
- L** One Basic Upright
- M** Two Base Shoes
- N** One Upright Cap



Madix™ Maxi-Line Colors



Standard Colors

Sahara (SA-PC002)	Oyster (OY-PC027)	Snow White (SW-PC049)	Dove Gray (DG-PC044)
Satin Black (SB-PC059)	Tru Gray (P235-PC010)	Fashion Gray (P565-PC064)	Dover White (P60-PC087)
Chocolate Brown (CH-PC003)	Skyline Gray (P235-PC039)	Blue Gray (BG-PC006)	

- Back panels finishes other than Sahara, Oyster, and Snow White will have a minimal up charge •

Tier 1 Colors

Silvervein (PC031)	Burgundy (BR-PC042)	Hollyberry (HB-PC022)	Mandarin (MA-PC024)
Spectrum Red (P150-PC053)	Bright Orange (P66-PC068)	Valencia (VA-PC169)	Hunter Green (P06-PC096)
Spectrum Green (SG-PC013)	Spectrum Blue (P149-PC145)	Neon Blue (NE-PC023)	

Gondola Shelves

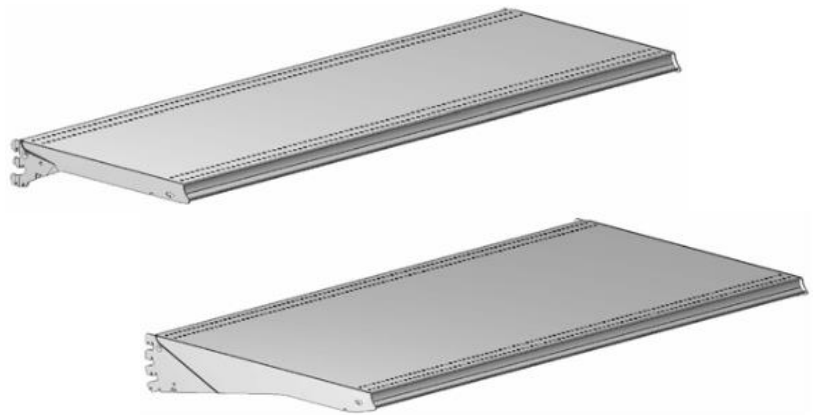
Steel gondola shelves provide the most durable, economical, and versatile platform for a wide spectrum of merchandise. High load capacity when required. Snap in dividers and accessories are available to effectively display your products.

STREATER

Load Limits (lbs.) - Flat				
	Depth	30"	36"	48"
Standard Upper Shelves	10"	350	400	400
	12"	500	500	500
	14"	500	500	500
	16"	500	500	500
	18"	500	500	500
	20"	-	400	400
	22"	-	350	350
Heavy Duty Upper Shelves	20"		600	600
	22"		600	600
	24"		600	600
	28"		600	600

Streater Upper Shelves

- One piece shelf pan with 1-1/4" ticket molding
- 4-position brackets, 12° upslant, level, 15° & 30° downslant
- 1/2" Double row perforations 1" on center front and rear
- Textured steel shelf surface
- Compatible with Ultra single and double slotted 1-1/4" on center uprights



LOZIER®

Load Limits (lbs.) - Flat				
	Depth	30"	36"	48"
TL Style Upper Shelves	7"	300	300	300
	10"	500	500	500
	13"	500	500	500
	15"	500	500	500
	16"	500	500	500
	17"	500	500	500
	19"	500	400	400
	20"	500	500	500
	22"	500	500	500
	25"	500	500	500
	28"	400	400	400
	31"	400	400	400

Lozier Upper Shelves

- Integrated 1-1/4" ticket molding
- 2-position brackets, 0° & 17° down slant positions
- 1/2" Double row perforations 1" on center front and rear
- Compatible with single slotted 1" on center uprights



Gondola Shelves

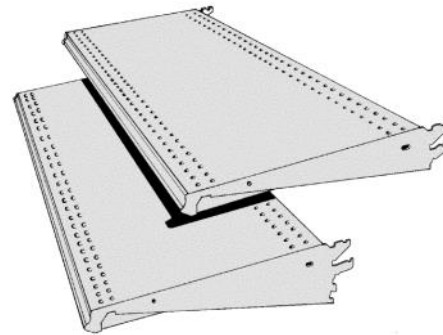
Steel gondola shelves provide the most durable, economical, and versatile platform for a wide spectrum of merchandise. High load capacity when required. Snap in dividers and accessories are available to effectively display your products.



Madix Upper Shelves

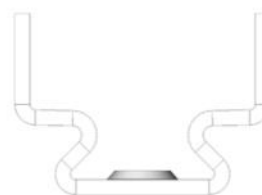
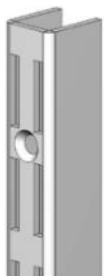
Load Limits (lbs.)				
	Depth	30"	36"	48"
Two Tab Upper Shelf	8"	300	300	300
	10"	500	500	500
	12"	500	500	500
	14"	500	500	500
	16"	500	500	500
	18"	500	500	500
Three Tab Upper Shelf	20"	500	400	400
	22"	500	500	500
	24"	500	500	500
	28"	400	400	400
	30"	400	400	400

- Integrated 1-1/4" ticket molding
- 3-position brackets, 0°, 15° & 30° down slant
- 1/2" Double row perforations 1" on center front and rear
- Compatible with single slotted 1" on center uprights



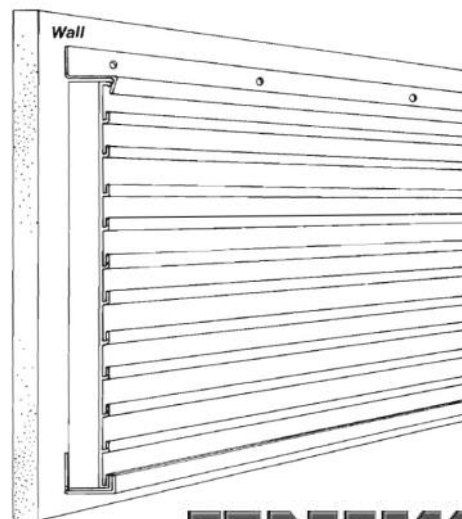
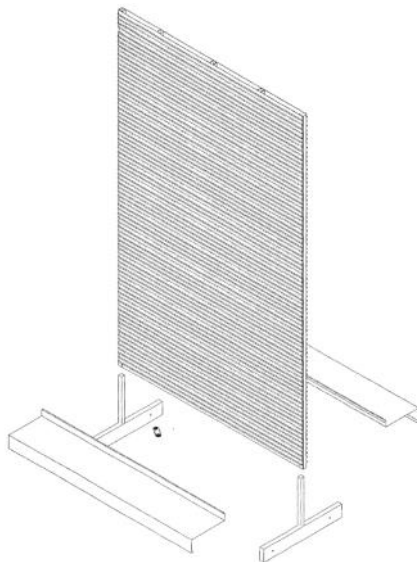
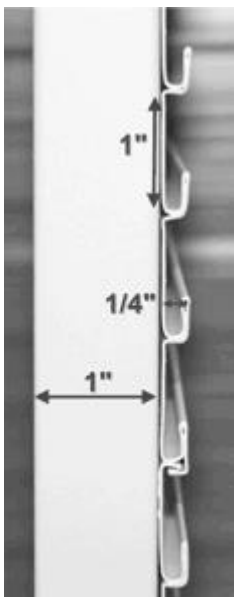
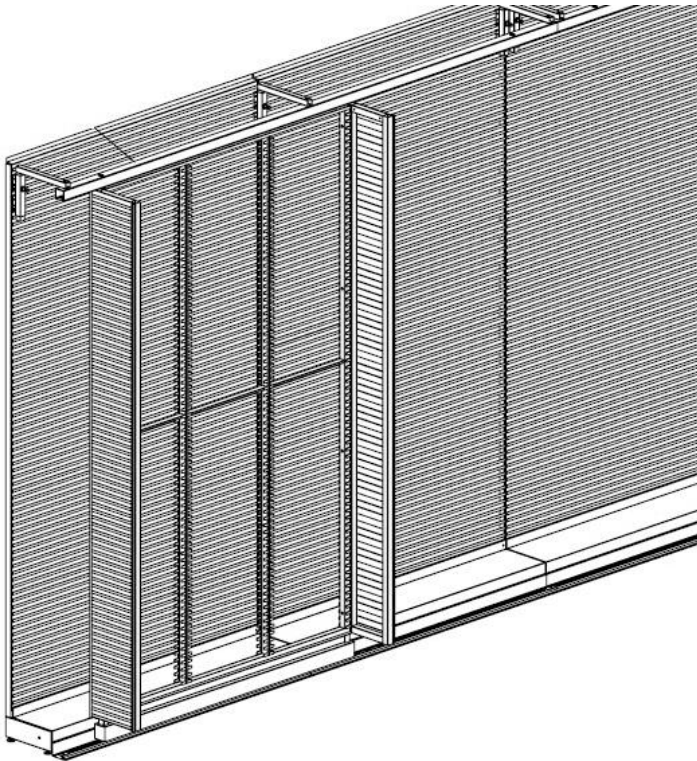
Wall Uprights

Do not let your valuable wall footage go to waste. Maximize your perimeter merchandising area with wall standards. Wall mounted standards can maintain the same slotting as your gondola shelving and are compatible with shelves and other gondola accessories. Slatwall or pegboard can also be added with wall mounted uprights to expand merchandising options. Adding merchandising hooks, shelves, wire baskets, and acrylics maximize your retail sales space.



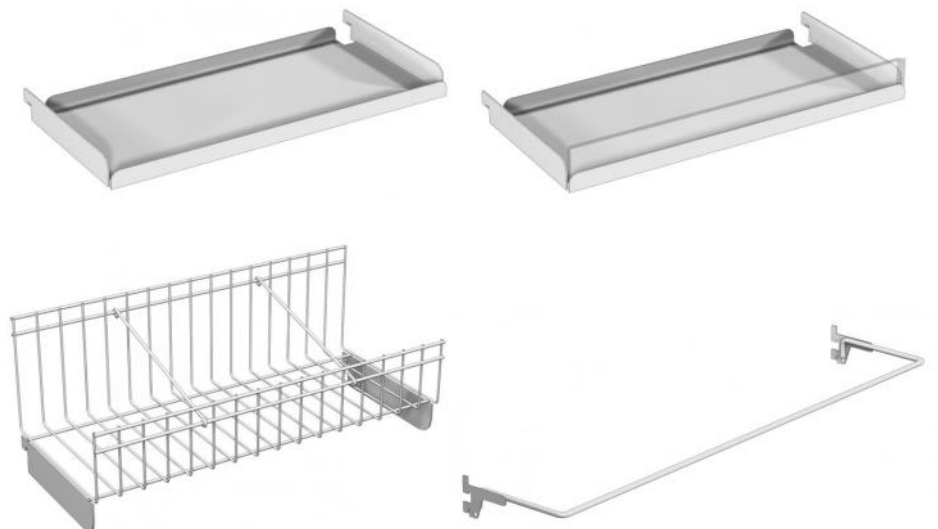
Uniweb™ Rx Shelving

Uniweb is the industry standard for high density pharmacy shelving. Uniweb's steel panel allows maximum flexibility in shelf placement anywhere along the horizontal shelving run. The unique Uniweb panel maintains a continuous groove from panel to panel for all Uniweb accessories to connect. White powder coat is the standard finish, but others are available. The Uniweb panel system can be wall mounted, used in workstations, or rolling applications.



Tubular Rx Shelving

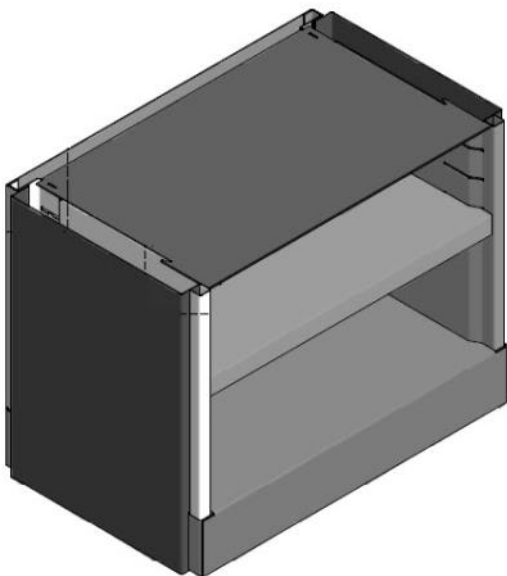
Tubular Rx Shelving combines both price and versatility in an easy to install system. There are two configurations possible with an open back for better visibility or solid back panels for privacy. The available shelf widths of 16", 32", 36", and 48" to create more product density than traditional bottle bay shelving. Standard height of 84" tall and white finish.



Boni™ Bottle Bay Rx Shelving

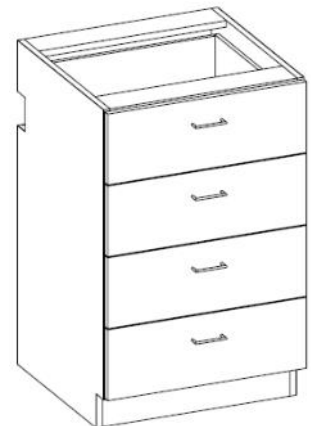
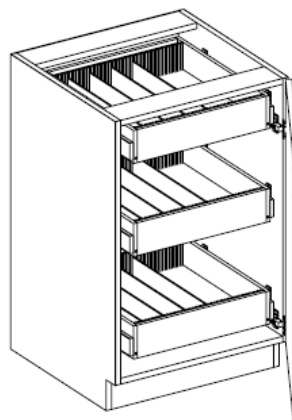
The innovative Boni bottle bay design combines superior design and function into a premiere pharmacy shelving system. Its easy boltless assembly reduces installation time by 70% compared to other classic bay systems. The reversible shelves create a 5/8" high front edge product stop or can be a flat front. The Boni system has 15", 24", 30", 36", and 48" bays available. The standard powder coat finish in white.

EQUIPEMENT
BONI



Pharmacy Cabinets

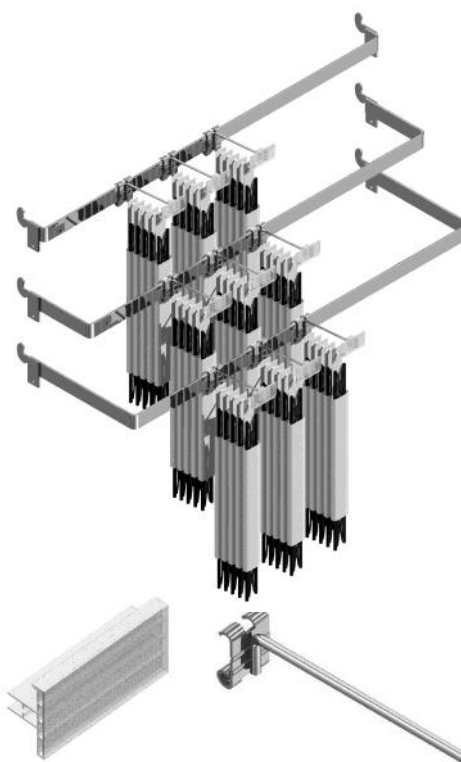
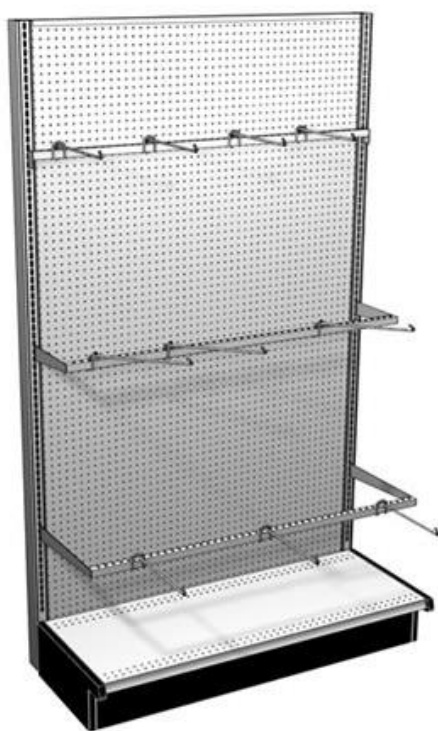
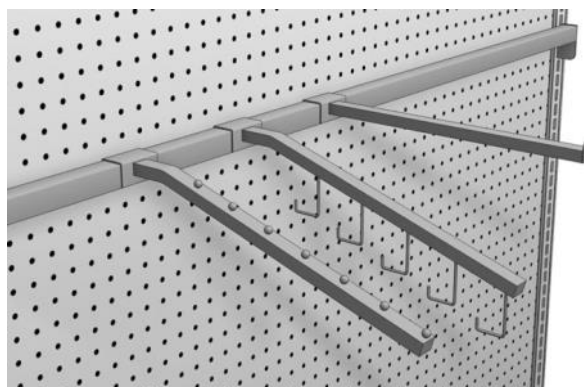
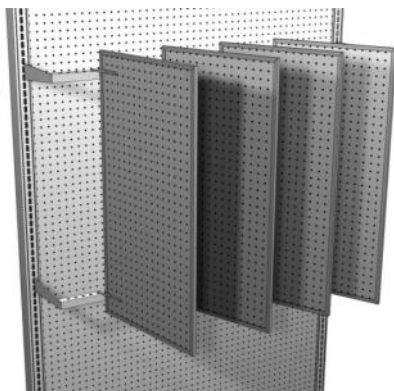
Midwest Retail Services offers a wide variety of styles and manufacturers for pharmacy cabinets in both metal and wood construction. All standard units are 24" wide, 24" deep, and 38" tall in a white finish. Other custom sizes and colors are available. Please contact a customer service representative for a complete listing and drawings of the units available. We can also provide the countertops over the cabinets in a wide array of laminate finishes on solid surface materials.



Merchandising Accessories

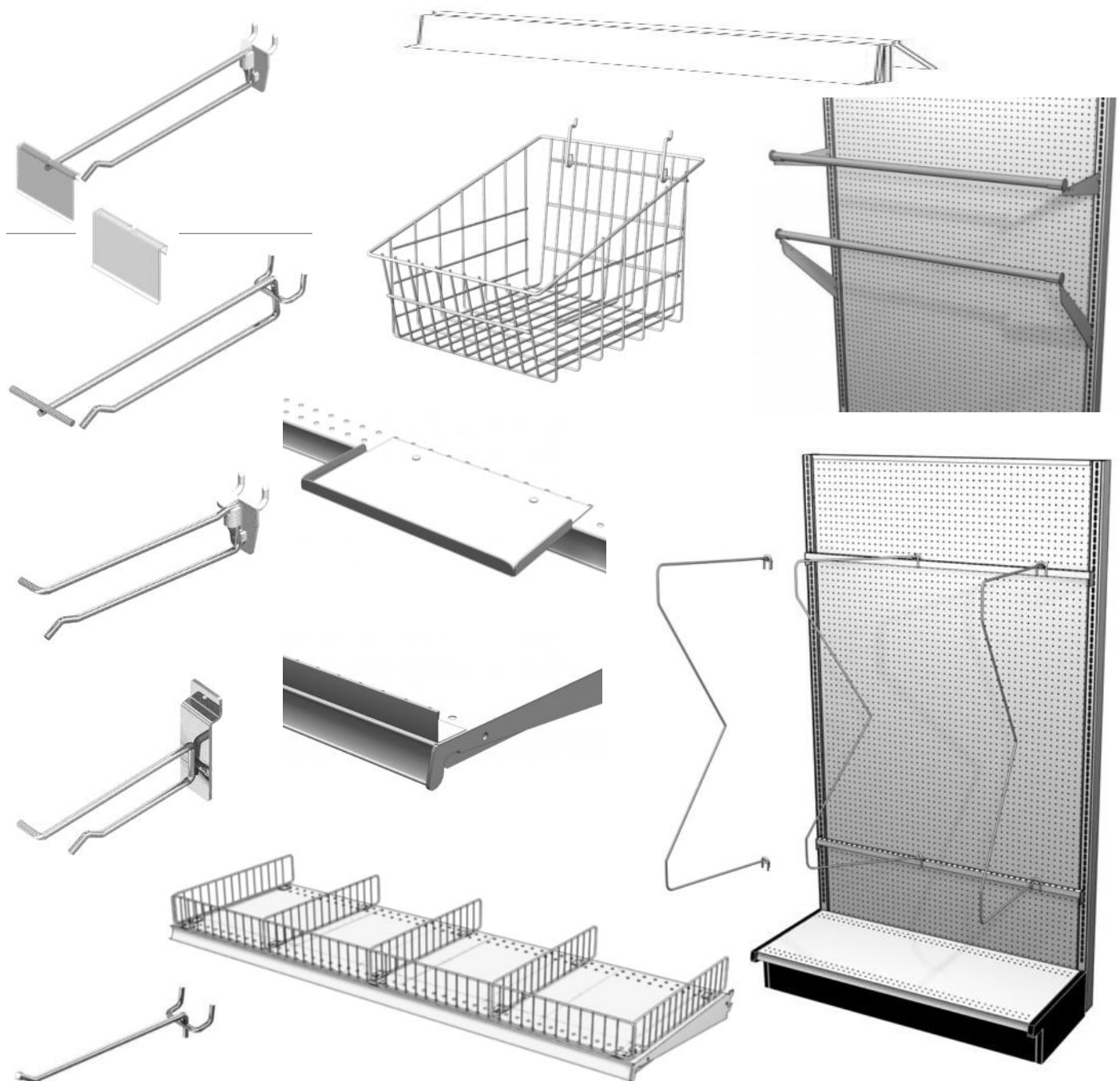
With thousands of accessories available, rely on a valuable resource to assist you in merchandising your retail operation. We offer brand name accessories from Southern Imperial, Trion, Lozier, Streater, Madix, and more. Midwest Retail Services can provide the recommendations and fulfillment of the items that display your merchandise best.

- 1" Crossbars
- 1/4" Crossbars
- Wand retailers
- Scanning hooks
- Snap Lock Tags
- Clip retailers
- Fast Back Hooks
- Slatwall brackets
- Hang tabs
- Slatwall hooks
- Extended panels
- Pegboard hooks



Merchandising Accessories

- Flip Flip Tags
- Fast Scan® Tags
- Slatwall inserts
- Faceouts
- Dump bins
- Shelf extenders
- Shelf retainers
- Shelf label holders
- Shelf color strips
- Wire grid
- Wire baskets
- Slatwall brackets
- Wire fencing
- Pegboard overlays
- Shelf tag inserts
- Hang rods
- Vertical dividers
- Price Tag holders
- Stacking baskets
- Uniweb hooks



Signage & Lighting

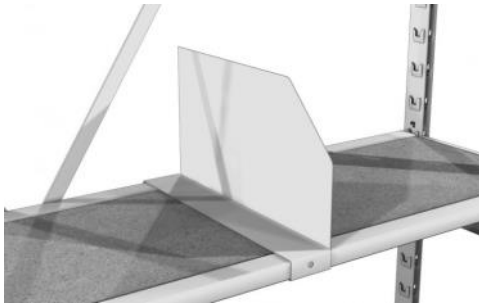
Properly placed signage will help your customers find the products they need. Arc arms attached to the top of gondolas place signs in the line of site of shoppers. Category signs on end caps and header signs help draw attention to your merchandise.

Lighting can add a dramatic effect to highlight your merchandise. Shelf mounted lights, canopy systems, and back panels are all possible areas to add lighting. LED technology creates long lasting illumination with minimal energy usage. Many current lighting systems do not require an electrician to install, it is simple as plugging into the closest power outlet.



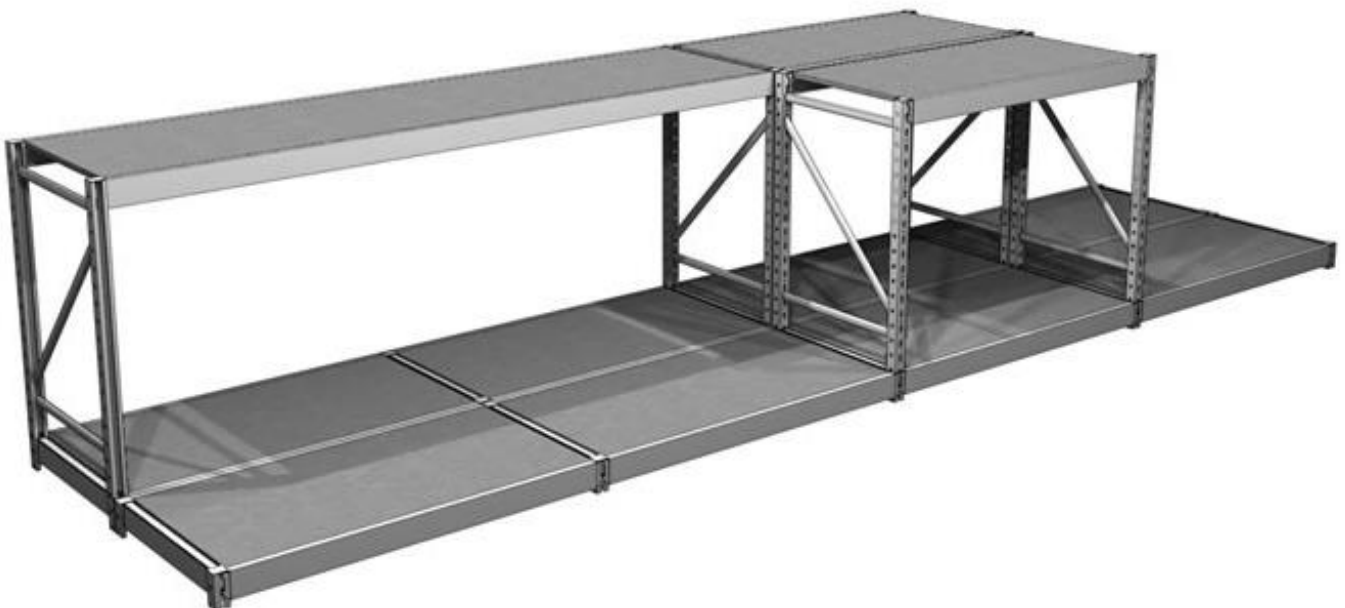
Storage Shelving

It is difficult to keep the front end retail shelves full of product without a place to store product stock. There are many accessory options and shelving systems to maximize your backroom space, including mobile systems. Midwest Retail Services can guide you to the right solution.



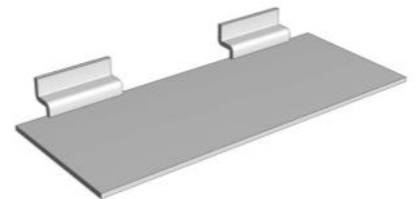
Widespan Racking

Widespan racking is ideal for heavy duty merchandising in retail floor space or storage in backroom stock areas. This hand stack racking can handle loads of 1,000 to 3,000 lbs. depending on the configuration. Particle board, wire grid, and gravity feed decking options available.



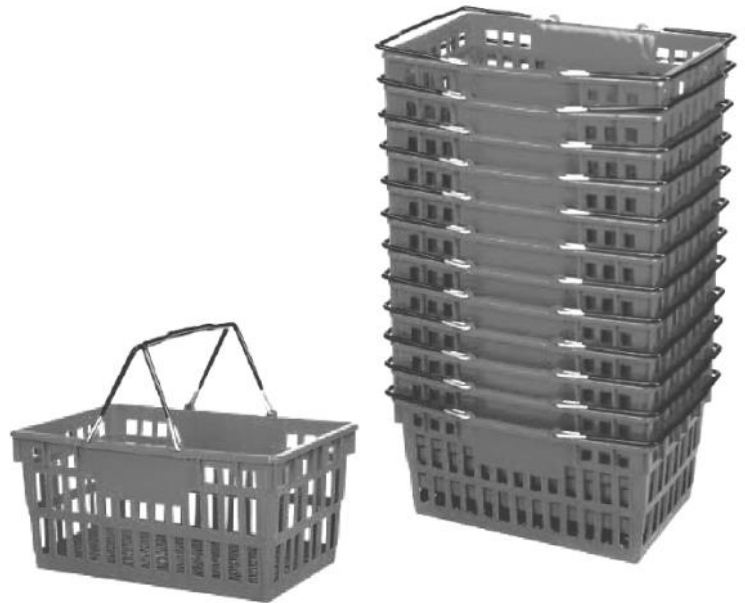
Slatwall

Slatwall can add an upscale appearance to your retail environment. From wall mounted slatwall, freestanding slatwall fixtures, or slatwall within your gondola shelving, all can create a unique retail appearance. With various options for color, groove inserts, hooks and other slatwall accessories, Midwest Retail Services can help guide you to your retail vision.



Shopping Carts & Baskets

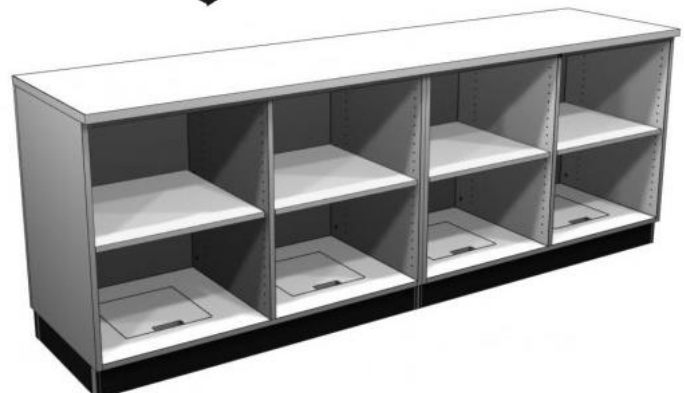
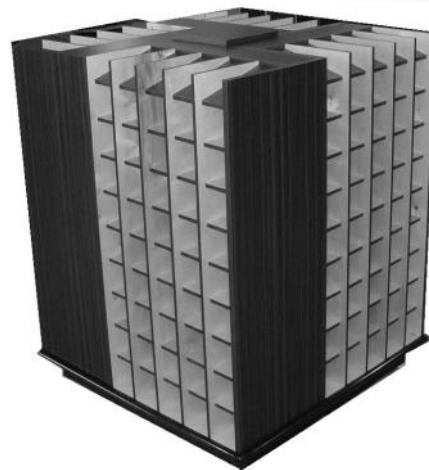
Shoppers need baskets and carts. Having the right style and size of baskets and carts for your retail space is essential for a better shopping experience and promote more product sales. From hand baskets, rolling baskets, plastic shopping carts, metal shopping carts, and cart corrals, Midwest Retail Services can help you find the product that fits your needs best.



Wood Fixtures

Stock & Custom Millwork Solutions

Midwest Retail Services offers many stock design solutions for your sales counters, cash wraps, showcases, and countertops. If those standard items do not quite meet your retail vision, we can assist you with a custom design solution without a premium price.



Mass Merchandisers / Bulk Displays

Great floor displays create additional sales. Correctly positioned displays help increase impulse sales. Using mass merchandisers allows the store to improve both product and visual presentation. Mobile or permanent, indoors or outdoor, Midwest Retail Services will help you find a solution that fits.



P.O.P. Displays

Point of Purchase fixtures ensure product placement in key retail positions, creating more brand awareness and lifting product sales. Midwest Retail Services can combine fixtures, accessories, graphics, and merchandise in a single shipment, ready for delivery and installation to your retailer. Individualized assembly instructions and single carton packaging ensure your display is setup, merchandised and ready to help you grow your sales.



Chain Store Fixture Support Programs

Do you have a chain of retail stores that have sporadic fixture needs? Are stores calling the corporate office for additional peghooks, shelves, tag strips, etc? Would you like a better solution? Midwest Retail Services can design, build, and administer your secure intranet web-site, fulfilling store fixture requests from the stores directly. By setting purchase budgets for stores or creating one click corporate office approval, stores can order the small fixture needs they have while reducing the administrative costs of supporting your retail chain stores.



Your Company

**Store Accessories
Buying Page**

Image	Name	Notes	Price	Quantity
	2" Straight Entry Flip Scan Hook Item# FS40L2	**Order Universal Label Holders Separately**		0 <input type="text"/> qty's of 100

