

DRAS Cases



From Concept.....



....to Completion

**Retail Price Guide
2007**

DRAS Cases...Experience the Difference!

- **Quick Lead Times**

Standard lead time **ONLY** 2 weeks!

Still not fast enough? Expedite it – expedite fee ships within 5 days.

- **Customize It**

Modify any stock item to fit your individual needs.

Shorten it or lengthen it!

Add casters, stainless steel legs, custom hardware

- **So Many to Choose from . . .**

Select from our eight stock finishes

Standard Finishes: Almond, Black, Gray or White

Woodgrain Finishes: Cherry, Maple, Medium Oak or Walnut

Choose custom high pressure laminate finish

Formica, Wilsonart, Nevamar, Pionite & more!

Hardwood, veneer, glass, metal, acrylic, solid surface & more!

- **Truckload Shipments**

- **Volume Discounts**

Order 10+ of any one unit and **SAVE!**

- **Want More?**

Design-Build services available

Nationwide delivery and installation

- **Service, Service, Service!**

Our friendly Customer Service staff will assist in any way we can!

Table of Contents-Classic Collection

<u>Product</u>	<u>Page</u>
Terms & Conditions	2-3
Platinum Showcases	4-7
Showcase Overview	8
Full Vision	9
Half Vision	10
Jewelry Vision	11
Extra Vision	12
Open Seller	13
Checkout Counters	14
Wrap Counters	15
Register Stands	16
Corner Fillers	17
Wall Units	18
Serving Stations	19
Reservation Stand	20
Display Steps	20
Convenience Counters	
Storage Counter	21
Fountain Unit	22
Condiment Unit	23
Waste Unit	24
Coffee Bar	24
Specialty & Custom Products	
Three Tier Merchandising Table	25
Four Tier Merchandising Table	25
Round Display Table	26
Folding Dump Table	26
Slatwall Counter	26
Island Display	27
Wood Shelves	27
From Concept to Completion	28
Credit Application	29

Platinum Collection

The platinum collection offers affordable elegance in a modular display system with unlimited presentation flexibility.

Standard Features:

- Tempered top, sides and front glass
- 6”H black toe kick
- White interior deck and 1/4” wood rear sliding doors
- Satin brushed anodized finish aluminum extrusions
- Steel interior standards & brackets to match
- 38” high, 20” deep, available in 48”, 60” or 72” widths
- All lights are hard wired - Electrician will have to install plug

Platinum Full Vision Showcase

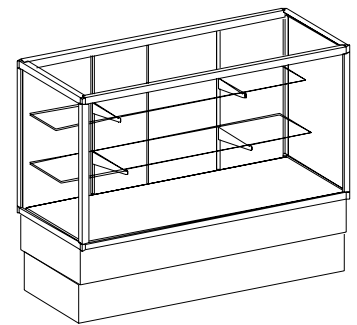
Features:

- 24”High front viewing area
- Two rows split adjustable 3/16” glass shelves
- 8” & 10” D shelves

Item No.	Width	Depth	Wt.	List
5011-48-##	48”	20”	230	\$586.74
5011-60-##	60”	20”	250	\$601.54
5011-72-##	72”	20”	265	\$617.62

##-Specify finish (low pressure laminate, matte finish)

Standard finish: 01-Almond 02-Black 03-Gray 04-White
 Woodgrain finish: 05-Cherry 06-Maple 07-Walnut 08-Medium Oak



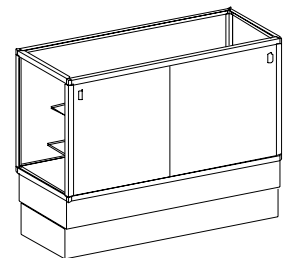
Customer Side

Showcase Options:

Item No.	Description	List
1091-##	Fluorescent light fixture (each)	\$ 150.00
1092-01	Ratchet lock (each)	\$ 13.50
1092-02	Plunger lock (each)	\$ 36.00
9020-##	Mirrored doors (rear sliding) (per set)	\$ 130.00
9030-##	Front opening glass doors w/solid wood back	\$ 130.00
8011*	Additional charge for exterior HPL finish*	\$195.00
ACC-1360	Casters	\$90.00
8018*	HPL Exterior 1/4” rear sliding doors	\$102.00

##-Specify width when ordering.

* Custom HPL finishes are available from Formica, Wilsonart, and Nevamar. Allow a 3-4 week lead time. Solid colors or woodgrains in matte finish only. All other brands and finishes priced upon request.



Clerk Side

Additional crating charge \$20.00 per unit. Shipping weights are approximate pounds per crated item.

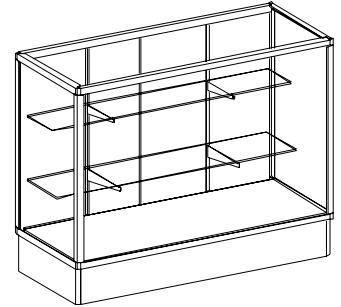
Platinum Extra Vision Showcase

Features:

- Tempered top, sides and front glass
- 6"H black toe kick
- 31"H front viewing area
- Two rows split adjustable 3/16" glass shelves
8" & 10" D shelves

Item No.	Width	Depth	Wt.	List
5014-48-##	48"	20"	230	\$596.28
5014-60-##	60"	20"	250	\$611.68
5014-72-##	72"	20"	265	\$624.28

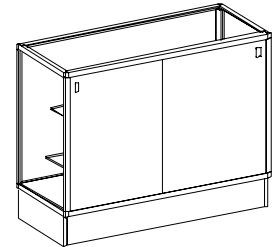
Available in black finish only.



Customer Side

Showcase Options:

Item No.	Description	List
1091-##	Fluorescent light fixture (each)	\$ 150.00
1092-01	Ratchet lock (each)	\$ 13.50
1092-02	Plunger lock (each)	\$ 36.00
9023-##	Mirrored doors (rear sliding) (per set)	\$ 130.00
9033-##	Front opening glass doors w/solid wood back	\$ 130.00
ACC-1360	Casters	\$90.00
8018*	HPL Exterior 1/4" rear sliding doors	\$102.00
8014*	Additional charge for exterior HPL finish*	\$145.00



Clerk Side

##-Specify width when ordering.

* Custom HPL finishes are available from Formica, Wilsonart, and Nevamar. Allow a 3-4 week lead time. Solid colors or woodgrains in matte finish only. All other brands and finishes priced upon request.

Additional glass shelves:

- For one complete row, order two shelves and three brackets.

Item No.	Showcase Dim.	Shelf Dim.	List (each)
9040-08	48"	8" x 24"	\$14.00
9040-10	48"	10" x 24"	\$16.00
9040-12	48"	12" x 24"	\$18.00
9041-08	60"	8" x 30"	\$16.00
9041-10	60"	10" x 30"	\$18.00
9041-12	60"	12" x 30"	\$20.00

Item No.	Showcase Dim.	Shelf Dim.	List (each)
9042-08	72"	8" x 35"	\$18.00
9042-10	72"	10" x 35"	\$20.00
9042-12	72"	12" x 35"	\$24.00
BKT-0008	8" bracket (clips included)		\$3.00
BKT-0010	10" bracket (clips included)		\$3.00
BKT-0012	12" bracket (clips included)		\$3.00

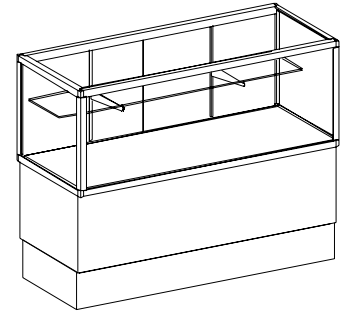
Additional crating charge \$20.00 per unit. Shipping weights are approximate pounds per crated item.

Platinum Half Vision Showcase

Features:

- Tempered top glass
- 6"H black toe kick
- 18"H front viewing area
- One row split adjustable 3/16" glass shelf - 10" D
- Open lower rear storage area

Item No.	Width	Depth	Wt.	List
5012-48-##	48"	20"	230	\$862.76
5012-60-##	60"	20"	250	\$919.68
5012-72-##	72"	20"	265	\$976.00



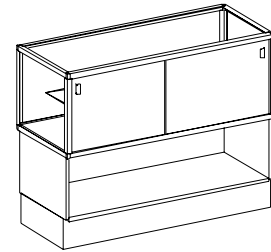
Customer Side

##-Specify finish (low pressure laminate, matte finish)

Standard finish: 01-Almond 02-Black 03-Gray 04-White
Woodgrain finish: 05-Cherry 06-Maple 07-Walnut 08-Medium Oak

Showcase Options:

Item No.	Description	List
1091-##	Fluorescent light fixture (each)	\$ 150.00
1092-01	Ratchet lock (each)	\$ 13.50
1092-02	Plunger lock (each)	\$ 36.00
9021-##	Mirrored doors (rear sliding) (per set)	\$ 110.00
9031-##	Front opening glass doors w/solid wood back	\$ 110.00
ACC-1360	Casters	\$90.00
8018*	HPL Exterior 1/4" rear sliding doors	\$102.00
8012*	Additional charge for exterior HPL finish*	\$236.00



Clerk Side

##-Specify width when ordering.

* Custom HPL finishes are available from Formica, Wilsonart, and Nevamar. Allow a 3-4 week lead time. Solid colors or woodgrains in matte finish only. All other brands and finishes priced upon request.

Additional glass shelves:

- For one complete row, order two shelves and three brackets.

Item No.	Showcase Dim.	Shelf Dim.	List (each)
9040-08	48"	8" x 24"	\$14.00
9040-10	48"	10" x 24"	\$16.00
9040-12	48"	12" x 24"	\$18.00
9041-08	60"	8" x 30"	\$16.00
9041-10	60"	10" x 30"	\$18.00
9041-12	60"	12" x 30"	\$20.00

Item No.	Showcase Dim.	Shelf Dim.	List (each)
9042-08	72"	8" x 35"	\$18.00
9042-10	72"	10" x 35"	\$20.00
9042-12	72"	12" x 35"	\$24.00
BKT-0008	8" bracket (clips included)		\$3.00
BKT-0010	10" bracket (clips included)		\$3.00
BKT-0012	12" bracket (clips included)		\$3.00

Additional crating charge \$20.00 per unit. Shipping weights are approximate pounds per crated item.

Platinum Jewelry Vision Showcase

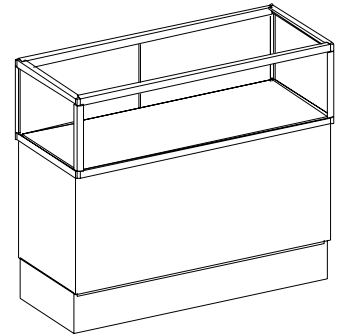
Features:

- Tempered top glass
- 6"H black toe kick
- 13"H front viewing area
- Open lower rear storage area with one 3/4" adjustable shelf

Item No.	Width	Depth	Wt.	List
5013-48-##	48"	20"	230	\$842.56
5013-60-##	60"	20"	250	\$901.88
5013-72-##	72"	20"	265	\$975.74

##-Specify finish (low pressure laminate, matte finish)

Standard finish: 01-Almond 02-Black 03-Gray 04-White
 Woodgrain finish: 05-Cherry 06-Maple 07-Walnut 08-Medium Oak



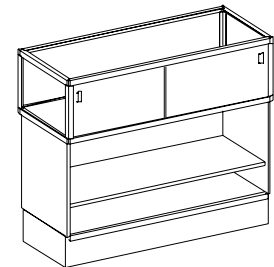
Customer Side

Showcase Options:

Item No.	Description	List
1091-##	Fluorescent light fixture (each)	\$ 150.00
1092-01	Ratchet lock (each)	\$ 13.50
1092-02	Plunger lock (each)	\$ 36.00
9022-##	Mirrored doors (rear sliding) (per set)	\$ 110.00
9032-##	Front opening glass doors w/solid wood back	\$ 110.00
ACC-1360	Casters	\$90.00
8018*	HPL Exterior 1/4" rear sliding doors	\$102.00
8013*	Additional charge for exterior HPL finish*	\$250.00

##-Specify width when ordering.

* Custom HPL finishes are available from Formica, Wilsonart, and Nevamar. Allow a 3-4 week lead time. Solid colors or woodgrains in matte finish only. All other brands and finishes priced upon request.



Clerk Side

Additional glass shelves:

- For one complete row, order two shelves and three brackets.

Item No.	Showcase Dim.	Shelf Dim.	List (each)
9040-08	48"	8" x 24"	\$14.00
9040-10	48"	10" x 24"	\$16.00
9040-12	48"	12" x 24"	\$18.00
9041-08	60"	8" x 30"	\$16.00
9041-10	60"	10" x 30"	\$18.00
9041-12	60"	12" x 30"	\$20.00

Item No.	Showcase Dim.	Shelf Dim.	List (each)
9042-08	72"	8" x 35"	\$18.00
9042-10	72"	10" x 35"	\$20.00
9042-12	72"	12" x 35"	\$24.00
BKT-0008	8" bracket (clips included)		\$3.00
BKT-0010	10" bracket (clips included)		\$3.00
BKT-0012	12" bracket (clips included)		\$3.00

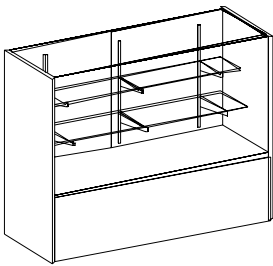
Additional crating charge \$20.00 per unit. Shipping weights are approximate pounds per crated item.

Classic Showcases

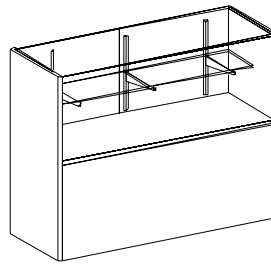
The modular styling offers unlimited display options and high impact presentation. Its distinctive design provides superior quality and function at an exceptional value.

Standard Features:

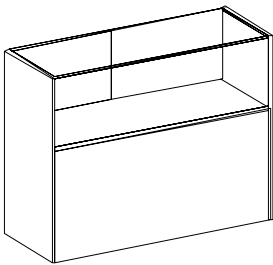
- Durable 3/4" laminate construction
- White interior deck and 1/4" wood rear sliding doors
- Satin brushed anodized finish aluminum extrusions
- Steel interior standards & brackets to match
- 38" high, available in 18" or 24" depths, 48", 60" or 70" widths
- All lights are hard wired - Electrician will have to install plug



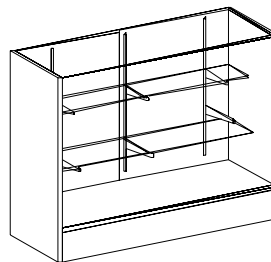
Full Vision Showcase



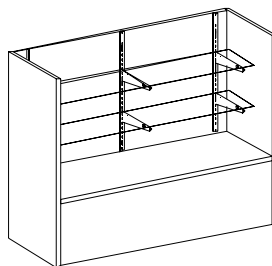
Half Vision Showcase



Jewelry Vision Showcase



Extra Vision Showcase



Open Seller Showcase

Full Vision Showcase

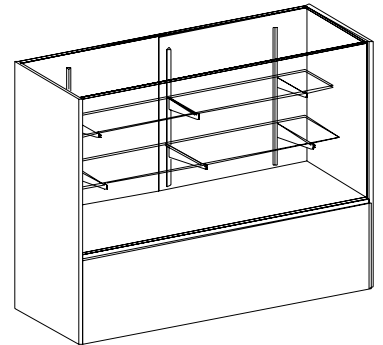
Features:

- Tempered top and front glass
- 24”H front viewing area
- Two rows split adjustable 3/16” glass shelves, 18” showcase features 8” & 10” D shelves, 24” showcase features 10” & 12” D shelves.

Item No.	Width	Depth	Wt.	Standard List	Woodgrain List
1011-48-##	48”	18”	230	\$398.79	\$422.56
3011-48-##	48”	24”	250	\$455.16	\$468.16
1011-60-##	60”	18”	250	\$431.59	\$459.54
3011-60-##	60”	24”	275	\$486.57	\$520.71
1011-70-##	70”	18”	265	\$458.66	\$476.46
3011-70-##	70”	24”	295	\$513.81	\$535.35

##-Specify finish (low pressure laminate, matte finish)

Standard finish: 01-Almond 02-Black 03-Gray 04-White
 Woodgrain finish: 05-Cherry 06-Maple 07-Walnut 08-Medium Oak



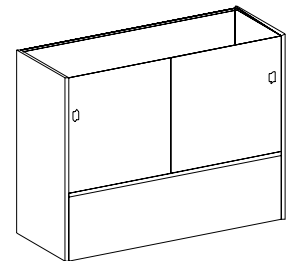
Customer Side

Showcase Options:

Item No.	Description	List
1091-##	Fluorescent light fixture (each)	\$150.00
1092-01	Ratchet lock (each)	\$ 13.50
1092-02	Plunger lock (each)	\$ 36.00
9020-##	Mirrored doors (rear sliding) (per set)	\$130.00
9030-##	Front opening glass doors w/solid wood back	\$130.00
8011*	Additional charge for exterior HPL finish*	\$195.00
ACC-1360	Casters	\$90.00
8018*	HPL Exterior 1/4” rear sliding doors	\$102.00

##-Specify width when ordering.

*Custom HPL finishes are available from Formica, Wilsonart, and Nevamar. Allow a 3-4 week lead time. Solid colors or woodgrains in matte finish only. All other brands and finishes priced upon request.



Clerk Side

Additional glass shelves:

- For one complete row, order two shelves and three brackets.

Item No.	Showcase Dim.	Shelf Dim.	List (each)
9040-08	48”	8” x 24”	\$14.00
9040-10	48”	10” x 24”	\$16.00
9040-12	48”	12” x 24”	\$18.00
9041-08	60”	8” x 30”	\$16.00
9041-10	60”	10” x 30”	\$18.00
9041-12	60”	12” x 30”	\$20.00

Item No.	Showcase Dim.	Shelf Dim.	List (each)
9042-08	70”	8” x 35”	\$18.00
9042-10	70”	10” x 35”	\$20.00
9042-12	70”	12” x 35”	\$24.00
BKT-0008	8” bracket (clips included)		\$3.00
BKT-0010	10” bracket (clips included)		\$3.00
BKT-0012	12” bracket (clips included)		\$3.00

Additional crating charge \$20.00 per unit. Shipping weights are approximate pounds per crated item.

Half Vision Showcase

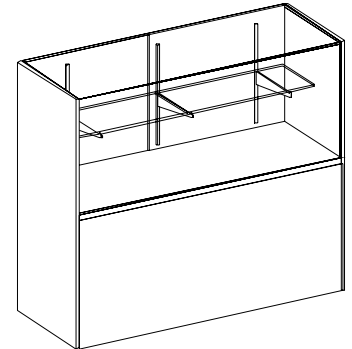
Features:

- Tempered top & front glass, 18”H front viewing area
- One row split adjustable 3/16” glass shelves
10”D in 18” unit, 12” D in 24” unit
- Open lower rear storage area

Item No.	Width	Depth	Wt.	Standard List	Woodgrain List
1012-48-##	48”	18”	230	\$393.33	\$428.74
3012-48-##	48”	24”	250	\$448.38	\$479.64
1012-60-##	60”	18”	250	\$446.10	\$460.69
3012-60-##	60”	24”	275	\$476.28	\$509.61
1012-70-##	70”	18”	265	\$469.19	\$499.81
3012-70-##	70”	24”	295	\$503.68	\$530.34

##-Specify finish (low pressure laminate, matte finish)

Standard finish: 01-Almond 02-Black 03-Gray 04-White
 Woodgrain finish: 05-Cherry 06-Maple 07-Walnut 08-Medium Oak



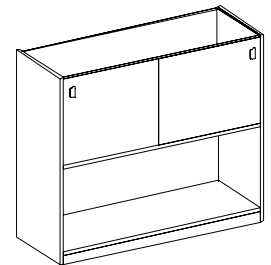
Customer Side

Showcase Options:

Item No.	Description	List
1091-##	Fluorescent light fixture (each)	\$150.00
1092-01	Ratchet lock (each)	\$13.50
1092-02	Plunger lock (each)	\$36.00
9021-##	Mirrored doors (rear sliding) (per set)	\$110.00
9031-##	Front opening glass doors w/solid wood back	\$110.00
9072-##	1/4” white lower storage doors	\$54.00
8012*	Additional charge for exterior HPL finish*	\$236.00
ACC-1360	Casters	\$90.00
8018*	HPL Exterior 1/4” rear sliding doors	\$102.00

##-Specify width when ordering.

* Custom HPL finishes are available from Formica, Wilsonart, and Nevamar. Allow a 3-4 week lead time. Solid colors or woodgrains in matte finish only. All other brands and finishes priced upon request.



Clerk Side

Additional glass shelves:

- For one complete row, order two shelves and three brackets.

Item No.	Showcase Dim.	Shelf Dim.	List (each)
9040-08	48”	8” x 24”	\$14.00
9040-10	48”	10” x 24”	\$16.00
9040-12	48”	12” x 24”	\$18.00
9041-08	60”	8” x 30”	\$16.00
9041-10	60”	10” x 30”	\$18.00
9041-12	60”	12” x 30”	\$20.00

Item No.	Showcase Dim.	Shelf Dim.	List (each)
9042-08	70”	8” x 35”	\$18.00
9042-10	70”	10” x 35”	\$20.00
9042-12	70”	12” x 35”	\$24.00
BKT-0008	8” bracket (clips included)		\$3.00
BKT-0010	10” bracket (clips included)		\$3.00
BKT-0012	12” bracket (clips included)		\$3.00

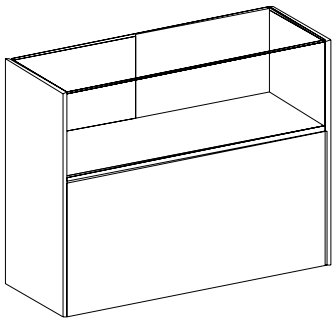
Additional crating charge \$20.00 per unit. Shipping weights are approximate pounds per crated item.

Jewelry Showcase

Features:

- Tempered top glass
- 13”H front viewing area
- Open rear storage area with 3/4” adjustable storage shelf

Item No.	Width	Depth	Wt.	Standard List	Woodgrain List
1013-48-##	48”	18”	230	\$382.91	\$413.09
3013-48-##	48”	24”	250	\$444.88	\$457.60
1013-60-##	60”	18”	250	\$434.08	\$448.99
3013-60-##	60”	24”	275	\$473.84	\$507.32
1013-70-##	70”	18”	265	\$458.98	\$486.65
3013-70-##	70”	24”	295	\$500.90	\$520.81

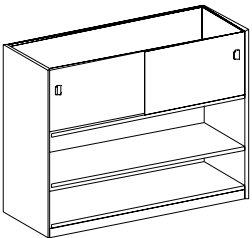


Customer Side

##-Specify finish (low pressure laminate, matte finish)
 Standard finish: 01-Almond 02-Black 03-Gray 04-White
 Woodgrain finish: 05-Cherry 06-Maple 07-Walnut 08-Medium Oak

Showcase Options:

Item No.	Description	List
1091-##	Fluorescent light fixture (each)	\$150.00
1092-01	Ratchet lock (each)	\$13.50
1092-02	Plunger lock (each)	\$36.00
9022-##	Mirrored doors (rear sliding) (per set)	\$110.00
9032-##	Front opening glass doors w/solid wood back	\$110.00
9073-##	1/4” white lower storage doors	\$54.00
8013*	Additional charge for exterior HPL finish*	\$250.00
ACC-1360	Casters	\$90.00
8018*	HPL Exterior 1/4” rear sliding doors	\$102.00



Clerk Side

##-Specify width when ordering.
 * Custom HPL finishes are available from Formica, Wilsonart, and Nevamar. Allow a 3-4 week lead time. Solid colors or woodgrains in matte finish only. All other brands and finishes priced upon request.

Additional crating charge \$20.00 per unit. Shipping weights are approximate pounds per crated item.

Not finding what you’re looking for?

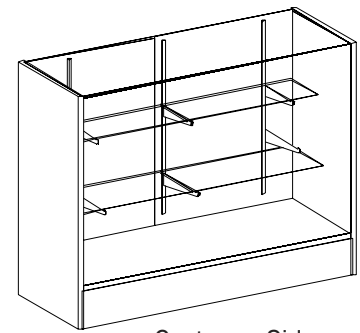
DRAS Cases has the ability to customize any fixture to meet the design requirements of your next project. With the availability of a wide variety of materials including laminate, veneer, solid wood and glass, you can turn to DRAS Cases to manufacture the perfect custom solution to meet all of your fixture needs. Contact your sales representative to find out how we can help you today!

Extra Vision Showcase

Features:

- Tempered top and front glass
- 31”H front viewing area
- Two rows split adjustable 3/16” glass shelves, 18” showcase features 8” & 10” D shelves, 24” showcase features 10” & 12” D shelves.

Item No.	Width	Depth	Wt.	Standard List	Woodgrain List
1014-48-##	48”	18”	230	\$423.74	\$449.22
3014-48-##	48”	24”	250	\$482.40	\$503.68
1014-60-##	60”	18”	250	\$471.95	\$499.21
3014-60-##	60”	24”	275	\$513.50	\$532.86
1014-70-##	70”	18”	265	\$493.64	\$517.18
3014-70-##	70”	24”	295	\$538.71	\$555.25



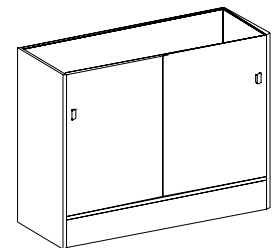
Customer Side

##-Specify finish (low pressure laminate, matte finish)

Standard finish: 01-Almond 02-Black 03-Gray 04-White
 Woodgrain finish: 05-Cherry 06-Maple 07-Walnut 08-Medium Oak

Showcase Options:

Item No.	Description	List
1091-##	Fluorescent light fixture (each)	\$ 150.00
1092-01	Ratchet lock (each)	\$ 13.50
1092-02	Plunger lock (each)	\$ 36.00
9023-##	Mirrored doors (rear sliding) (per set)	\$ 130.00
9033-##	Front opening glass doors w/solid wood back	\$ 130.00
8014*	Additional charge for exterior HPL finish*	\$190.00
ACC-1360	Casters	\$90.00
8018*	HPL Exterior 1/4” or 3/4” rear sliding doors	\$102.00



Clerk Side

##-Specify width when ordering.

* Custom HPL finishes are available from Formica, Wilsonart, and Nevamar. Allow a 3-4 week lead time. Solid colors or woodgrains in matte finish only. All other brands and finishes priced upon request.

Additional glass shelves:

- For one complete row, order two shelves and three brackets.

Item No.	Showcase Dim.	Shelf Dim.	List (each)
9040-08	48”	8” x 24”	\$14.00
9040-10	48”	10” x 24”	\$16.00
9040-12	48”	12” x 24”	\$18.00
9041-08	60”	8” x 30”	\$16.00
9041-10	60”	10” x 30”	\$18.00
9041-12	60”	12” x 30”	\$20.00

Item No.	Showcase Dim.	Shelf Dim.	List (each)
9042-08	70”	8” x 35”	\$18.00
9042-10	70”	10” x 35”	\$20.00
9042-12	70”	12” x 35”	\$24.00
BKT-0008	8” bracket (clips included)		\$3.00
BKT-0010	10” bracket (clips included)		\$3.00
BKT-0012	12” bracket (clips included)		\$3.00

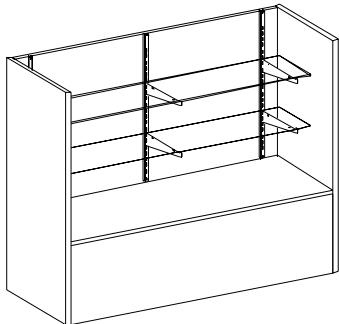
Additional crating charge \$20.00 per unit. Shipping weights are approximate pounds per crated item.

Open Seller

Features:

- 26”H front viewing area
- Two rows split adjustable 3/16” glass shelves, 18” case features 8” & 10” D shelves, 24” case features 10” & 12” D shelves.
- Solid back with open display area (no top or front glass)

Item No.	Width	Depth	Wt.	Standard List	Woodgrain List
1015-48-##	48”	18”	230	\$363.09	\$379.03
3015-48-##	48”	24”	250	\$390.18	\$421.39
1015-60-##	60”	18”	250	\$384.15	\$408.62
3015-60-##	60”	24”	275	\$411.75	\$444.69
1015-70-##	70”	18”	265	\$422.46	\$440.80
3015-70-##	70”	24”	295	\$456.00	\$492.50



Customer Side

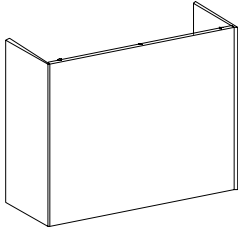
##-Specify finish (low pressure laminate, matte finish)

Standard finish: 01-Almond 02-Black 03-Gray 04-White
 Woodgrain finish: 05-Cherry 06-Maple 07-Walnut 08-Medium Oak

Options:

Item No.	Description	List
8015*	Additional charge for exterior HPL finish*	\$195.00
ACC-1360	Casters	\$90.00

* Custom HPL finishes are available from Formica, Wilsonart, and Nevamar. Allow a 3-4 week lead time. Solid colors or woodgrains in matte finish only. All other brands and finishes priced upon request.



Clerk Side

Additional glass shelves:

- For one complete row, order two shelves and three brackets.

Item No.	Showcase Dim.	Shelf Dim.	List (each)
9040-08	48”	8” x 24”	\$14.00
9040-10	48”	10” x 24”	\$16.00
9040-12	48”	12” x 24”	\$18.00
9041-08	60”	8” x 30”	\$16.00
9041-10	60”	10” x 30”	\$18.00
9041-12	60”	12” x 30”	\$20.00

Item No.	Showcase Dim.	Shelf Dim.	List (each)
9042-08	70”	8” x 35”	\$18.00
9042-10	70”	10” x 35”	\$20.00
9042-12	70”	12” x 35”	\$24.00
BKT-0008	8” bracket (clips included)		\$3.00
BKT-0010	10” bracket (clips included)		\$3.00
BKT-0012	12” bracket (clips included)		\$3.00

Additional crating charge \$20.00 per unit. Shipping weights are approximate pounds per crated item.

Need it Fast?
 Ask us about our Expedite Option!
 Guaranteed to Ship any stock item
 in only 5 days! Call to learn more!

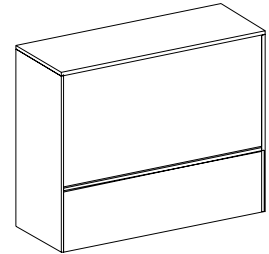
Checkout Counter

The functional design and durable construction of the checkout counter makes this unit an excellent addition to any service environment. Checkout counters are 38" high and can be ordered in depths of 18" or 24". Available in 48", 60" and 70" widths.

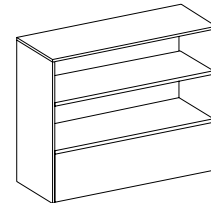
Features:

- Durable 3/4" laminate construction
- Open storage area with 3/4" adjustable storage shelf
- Center divider panel for added support (60" and 70" widths only)

Item No.	Width	Depth	Wt.	Standard List	Woodgrain List
1021-48-##	48"	18"	200	\$353.48	\$381.89
3021-48-##	48"	24"	220	\$440.73	\$463.64
1021-60-##	60"	18"	225	\$367.52	\$393.25
3021-60-##	60"	24"	250	\$466.06	\$483.81
1021-70-##	70"	18"	240	\$384.80	\$410.14
3021-70-##	70"	24"	270	\$475.52	\$513.55



Customer Side



Clerk Side

##-Specify finish (low pressure laminate, matte finish)

Standard finish: 01-Almond 02-Black 03-Gray 04-White
 Woodgrain finish: 05-Cherry 06-Maple 07-Walnut 08-Medium Oak

Options for Checkout and Wrap Counters:

Item No.	Description	List
9046-48	Additional shelf for 48" counter	\$24.00
9046-60	Additional shelf for 60" counter (30" each)	\$16.00
9046-70	Additional shelf for 70" counter (35" each)	\$20.00
9076-##	1/4" white wood rear sliding doors (per set)	\$54.00
1092-01	Ratchet lock (each)	\$13.50
1092-02	Plunger lock (each)	\$36.00
8021*	Additional charge for exterior HPL finish*	\$320.00

Specify width when ordering.

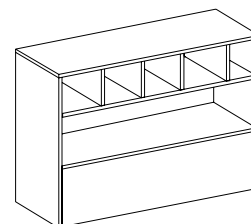
* Custom HPL finishes are available from Formica, Wilsonart, and Nevamar. Allow a 3-4 week lead time. Solid colors or woodgrains in matte finish only. All other brands and finishes priced upon request.

Bag Bins

Features:

- Insert for wrap counter and checkout
- 1/4" grooves allow for approx. 6" spacing
- Removable 1/4" dividers
- Specify LPL black or white

Item No.	Width	Height	Standard List
1923-48-##	48"	8"	\$82.95
1923-60-##	60"	8"	\$100.59
1923-70-##	70"	8"	\$117.92



Wrap Counter

Similar to the checkout counter, the wrap counter offers the same functional design and durable construction. Its 34" height meets ADA accessibility requirements. Available in 48", 60" and 70" widths.

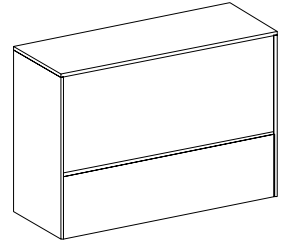
Features:

- Durable 3/4" laminate construction
- Open storage area with 3/4" adjustable storage shelf
- Center divider panel for added support (60" and 70" widths only)

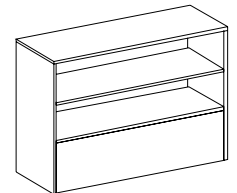
Item No.	Width	Depth	Wt.	Standard List	Woodgrain List
1022-48-##	48"	18"	195	\$351.32	\$379.73
3022-48-##	48"	24"	215	\$438.61	\$461.52
1022-60-##	60"	18"	220	\$365.36	\$391.09
3022-60-##	60"	24"	245	\$463.94	\$481.69
1022-70-##	70"	18"	235	\$375.56	\$396.65
3022-70-##	70"	24"	265	\$473.40	\$511.43

##-Specify finish (low pressure laminate, matte finish)

Standard finish: 01-Almond 02-Black 03-Gray 04-White
 Woodgrain finish: 05-Cherry 06-Maple 07-Walnut 08-Medium Oak



Customer Side



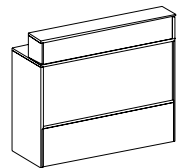
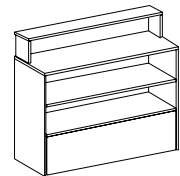
Clerk Side

Checkledge

Features:

- 8" high, 8" deep
- Attaches to wrap counter for an overall height of 42"
- Durable 3/4" melamine construction

Item No.	Width	Depth	Wt.	Standard List	Woodgrain List
1921-48-##	48"	8"	16	\$84.00	\$90.00
1921-60-##	60"	8"	18	\$88.00	\$94.00
1921-70-##	70"	8"	20	\$92.00	\$102.00
8921*	*Additional charge for exterior HPL finish			\$96.00	N/A



Additional crating charge \$20.00 per unit. Shipping weights are approximate pounds per crated item.

Need it Fast?
 Ask us about our Expedite Option!
 Guaranteed to Ship any stock item
 in only 5 days! Call to learn more!

Register Stands

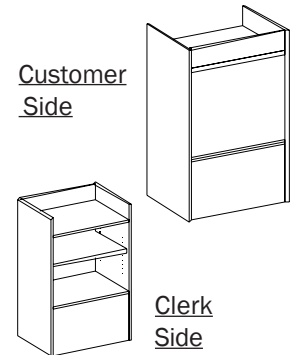
Thoughtfully designed with your needs in mind, this compact register stand will meet the highest expectations of durability and function. Register stands are 38" high and 24" wide.

Well Top Register Stand

Features:

- 4" recessed well top design
- Open storage area with 3/4" adjustable storage shelf

Item No.	Width	Depth	Wt.	Standard List	Woodgrain List
1031-24-##	24"	18"	125	\$244.41	\$261.52
3031-24-##	24"	24"	140	\$297.20	\$317.02

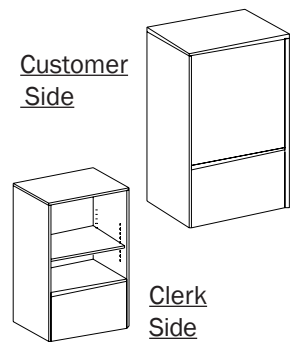


Flat Top Register Stand

Features:

- Open storage area with adjustable storage shelf

Item No.	Width	Depth	Wt.	Standard List	Woodgrain List
1032-24-##	24"	18"	125	\$244.41	\$261.52
3032-24-##	24"	24"	140	\$297.20	\$317.02



Combo Register Stand

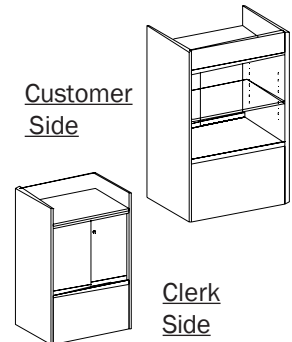
Features:

- 4" recessed well top design
- 20"H glass display area with one adjustable glass shelf
- 1/4" wood sliding rear doors standard

Item No.	Width	Depth	Wt.	Standard List	Woodgrain List
1035-24-##	24"	18"	125	\$294.89	\$314.93
3035-24-##	24"	24"	140	\$334.88	\$368.24

##-Specify finish (low pressure laminate, matte finish)

Standard finish: 01-Almond 02-Black 03-Gray 04-White
 Woodgrain finish: 05-Cherry 06-Maple 07-Walnut 08-Medium Oak



Register Stand Options:

Item No.	Description	List
1091-24	Light for combo register stand	\$130.00
1092-01	Ratchet lock for combo register stand	\$13.50
9093-01	1/4" white wood sliding rear doors (set)	\$48.00
8031*	Additional charge for exterior HPL finish*	\$186.00
DWR-0001	Drawer - 6"H Front	\$70.00

} (Any style register stand)

*LPL white interior. Exterior custom HPL finishes are available from Formica, Wilsonart, and Nevamar. Allow a 3-4 week lead time. Solid colors or woodgrains in matte finish only. All other brands and finishes priced upon request.

Additional crating charge \$20.00 per unit. Shipping weights are approximate pounds per crated item.

Corner Fillers

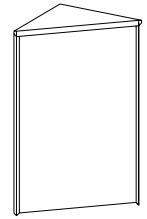
Providing innovative fixture solutions is our goal. The modular design of the corner filler gives you the freedom to create your own unique layout. Available in three styles, this versatile case provides flexibility to any configuration. Corner fillers are 38" high.

Closed Corner Filler

Item No.	Width	Depth	Wt.	Standard List	Woodgrain List
1041-18-##	18"	18"	90	\$214.33	\$236.80
3041-24-##	24"	24"	105	\$275.06	\$302.56

##-Specify finish (low pressure laminate, matte finish)

Standard finish: 01-Almond 02-Black 03-Gray 04-White
 Woodgrain finish: 05-Cherry 06-Maple 07-Walnut 08-Medium Oak



Open Corner Filler

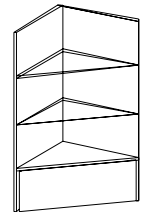
Features:

- Two adjustable glass shelves

Item No.	Width	Depth	Wt.	Standard List	Woodgrain List
1042-18-##	18"	18"	90	\$243.95	\$260.97
3042-24-##	24"	24"	105	\$277.68	\$325.50

##-Specify finish (low pressure laminate, matte finish)

Standard finish: 01-Almond 02-Black 03-Gray 04-White
 Woodgrain finish: 05-Cherry 06-Maple 07-Walnut 08-Medium Oak



Combo Corner Filler

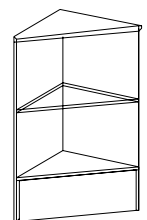
Features:

- Durable 3/4" laminate construction
- Low pressure laminate exterior and interior finish
- Solid top and one adjustable glass shelf

Item No.	Width	Depth	Wt.	Standard List	Woodgrain List
1045-18-##	18"	18"	90	\$243.95	\$260.97
3045-24-##	24"	24"	105	\$279.84	\$327.50

##-Specify finish (low pressure laminate, matte finish)

Standard finish: 01-Almond 02-Black 03-Gray 04-White
 Woodgrain finish: 05-Cherry 06-Maple 07-Walnut 08-Medium Oak



Options:

Item No.	Description	List
8041*	Additional charge for exterior HPL finish*	\$176.00
9052-00	Additional glass shelf	\$24.00

(Any style corner filler)

*LPL white interior. Custom HPL finishes are available from Formica, Wilsonart, and Nevamar. Allow a 3-4 week lead time. Solid colors or woodgrains in matte finish only. All other brands and finishes priced upon request.

Additional crating charge \$20.00 per unit. Shipping weights are approximate pounds per crated item.

Wall Units

The 57" high viewing area and adjustable shelves provide a versatile space for the retail industry to the small collector. Wall units are 78" high, 18" deep and come in 36" and 48" widths.

Wall Units

Features:

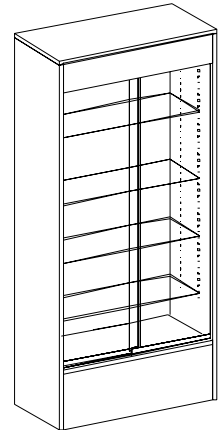
- 3/16" tempered glass sliding doors
- Four adjustable tempered glass shelves, 15"D
- Steel standards and brackets (48" unit only)
- 57"H front viewing area
- White interior deck and 1/4" solid wood back (48" unit has 3/4" back)
- Factory installed light fixture
- Quality showcase lock

Item No.	Width	Depth	Wt.	Standard List	Woodgrain List
1051-36-##	36"	18"	330	\$668.79	\$728.99
1055-48-##	48"	18"	420	\$733.32	\$793.91

##-Specify finish (low pressure laminate, matte finish)

Standard finish: 01-Almond 02-Black 03-Gray 04-White

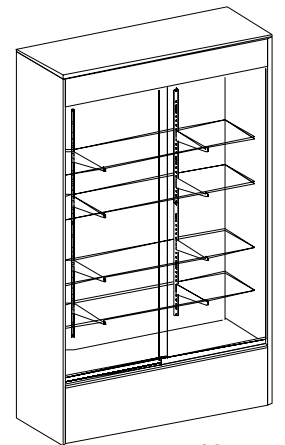
Woodgrain finish: 05-Cherry 06-Maple 07-Walnut 08-Medium Oak



36" Unit

Options:

Item No.	Description	List
8051*	Additional charge for exterior HPL finish 36"	\$320.00
8055*	Additional charge for exterior HPL finish 48"	\$360.00
9045-36	Additional glass shelf - 36" Wall Unit	\$30.00
9045-48	Additional glass shelf - 48" Wall Unit	\$36.00
BKT-0014	14" bracket (clips included)	\$6.00
1093-36	Mirrored back for 36" Wall Unit	\$130.00
1093-48	Mirrored back for 48" Wall Unit	\$170.00



48" Unit

*LPL white interior. Custom HPL exterior finishes are available from Formica, Wilsonart, and Nevamar. Allow a 3-4 week lead time. Solid colors or woodgrains in matte finish only. All other brands and finishes priced upon request.

Additional crating charge \$20.00 per unit. Shipping weights are approximate pounds per crated item.

Need it Fast?

Ask us about our Expedite Option!
Guaranteed to Ship any stock item
in only 5 days! Call to learn more!

Serving Stations

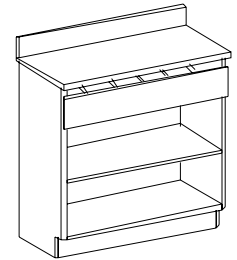
The space saving design and durable construction of the serving station makes this unit an excellent addition to any service environment. This cost effective unit is ideal for many applications. The serving stations are 36" high.

Basic Serving Station

Features:

- Open storage area with 3/4" adjustable storage shelf
- Utensil drawer with six compartments
- Front 4"H recessed toe kick
- 4"H backsplash

Item No.	Width	Depth	Wt.	Standard List	Woodgrain List
1061-36-##	36"	18"	195	\$422.93	\$465.24
3061-36-##	36"	24"	210	\$477.48	\$520.44
1062-36-##	Doors for 36"		30	\$141.57	\$148.63
1063-36-##	Upper shelf unit for 36"		45	\$170.49	\$180.86



(optional)

(optional)

##-Specify finish (low pressure laminate, matte finish)

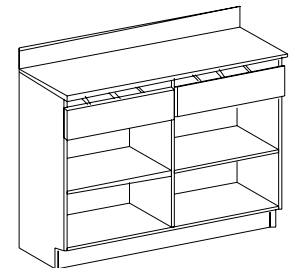
Standard finish: 01-Almond 02-Black 03-Gray 04-White
Woodgrain finish: 05-Cherry 06-Maple 07-Walnut 08-Medium Oak

Deluxe Serving Station

Features:

- Open storage area with center divider, two adjustable storage shelves
- Two utensil drawers include four compartments per drawer
- Front 4"H recessed toe kick
- 4"H backsplash

Item No.	Width	Depth	Wt.	Standard List	Woodgrain List
1065-48-##	48"	18"	200	\$542.81	\$571.26
3065-48-##	48"	24"	215	\$612.34	\$667.46
1066-48-##	Doors for 48"		35	\$160.40	\$176.41
1067-48-##	Upper shelf unit for 48"		55	\$180.68	\$192.89



(optional)

(optional)

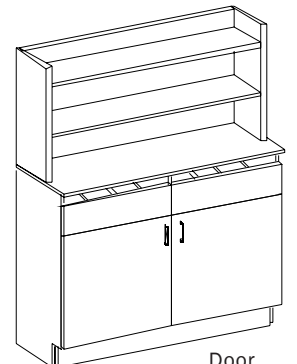
##-Specify finish (low pressure laminate, matte finish)

Standard finish: 01-Almond 02-Black 03-Gray 04-White
Woodgrain finish: 05-Cherry 06-Maple 07-Walnut 08-Medium Oak

Options:

Item No.	Description	List
8061*	Additional charge for exterior HPL finish-36"	\$260.00
8065*	Additional charge for exterior HPL finish-48"	\$296.00
8066*	HPL finish - doors - all sizes	\$105.00
8067*	HPL finish - upper shelf - all sizes	\$160.00

Upper shelf option



Door option

*LPL white interior. Custom exterior HPL finishes are available from Formica, Wilsonart, and Nevamar. Allow up to 3-4 week lead time. Solid colors or woodgrains in matte finish only. All other brands and finishes priced upon request.

Additional crating charge \$20.00 per unit. Shipping weights are approximate pounds per crated item.

Reservation Stand

This mobile stand features contemporary design and looks great in any surrounding. Also includes angled top with pencil rest. Reservation stand is 45-1/2”H x 16”D x 23”W.

Features:

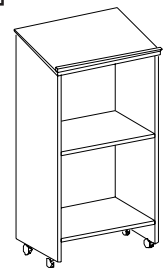
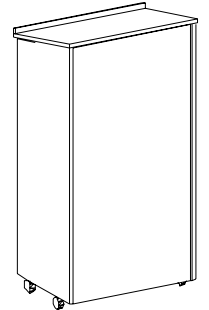
- Durable 3/4” laminate construction
- Open rear storage area with 3/4” adjustable storage shelf
- Four 2” durable casters for easy mobility (two locking)
- 3/4” slanted top surface with pencil rest

Item No.	Width	Depth	Wt.	Standard List	Woodgrain List
1071-23-##	23”	16”	180	\$347.76	\$363.61
1072-23-00	Antique brass light fixture (Optional)			\$38.00	-
8071	Additional charge for HPL finish*			\$240.00	\$240.00

##-Specify finish (low pressure laminate, matte finish)

Standard finish: 01-Almond 02-Black 03-Gray 04-White
 Woodgrain finish: 05-Cherry 06-Maple 07-Walnut 08-Medium Oak

*LPL white interior. Custom exterior HPL finishes are available from Formica, Wilsonart, and Nevamar. Allow a 3-4 week lead time. Solid colors or woodgrains in matte finish only. All other brands and finishes priced upon request.



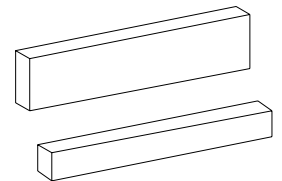
Display Steps

Display steps are an economical solution for all your merchandising needs. These contemporary risers can be combined to create various configurations for your own unique style. Display steps are 4” deep and are available in 4” and 8” heights.

Features:

- Durable 3/4” laminate construction
- 24”, 36” and 48” lengths
- Available in black finish only

Item No.	Width	Depth	Height	Wt.	List
1081-24-02	24”	4”	4”	7	\$82.92
1082-24-02	24”	4”	8”	9	\$86.11
1081-36-02	36”	4”	4”	11	\$89.82
1082-36-02	36”	4”	8”	13	\$92.91
1081-48-02	48”	4”	4”	13	\$95.17
1082-48-02	48”	4”	8”	15	\$100.16



Additional crating charge \$20.00 per unit. Shipping weights are approximate pounds per crated item.

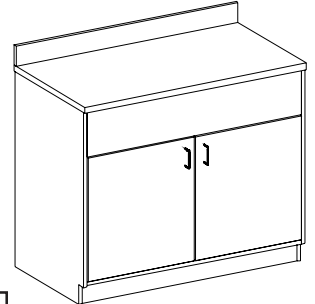
Convenience Counters

Designed to meet the needs of the growing convenience market, these counters offer versatility, function and value. The durable laminate construction requires minimal maintenance and is designed to withstand high traffic areas. The convenience counters give you the look of high-end custom units at an affordable price.

Storage Counter

Features:

- 26”D x 40”H - Counter height
- Durable 1-1/8” thick top
- Front 4”H recessed toe kick
- 3/4” hinged doors with interior adjustable shelf
- 4”H rear backsplash
- LPL white interior and exterior back



Item No.	Width	Depth	Wt.	Standard List	Woodgrain List
2011-36-##	36”	26”	240	\$492.77	\$516.28
2011-48-##	48”	26”	275	\$527.03	\$560.20
2011-60-##	60”	26”	325	\$597.80	\$646.90

##-Specify finish (low pressure laminate, matte finish)

Standard finish: 01-Almond 02-Black 03-Gray 04-White

Woodgrain finish: 05-Cherry 06-Maple 07-Walnut 08-Medium Oak

Options:

Item No.	Description	List
8211-36	Additional charge for HPL finish-36” storage unit*	\$290.00
8211-48	Additional charge for HPL finish-48” storage unit*	\$330.00
8211-60	Additional charge for HPL finish-60” storage unit*	\$370.00
ACC-1810	4” stainless steel legs	\$160.00
ACC-1360	2-1/2” heavy duty casters	\$90.00

*LPL white interior. Custom exterior HPL finishes are available from Formica, Wilsonart, and Nevamar. Allow a 3-4 week lead time. Solid colors or woodgrains in matte finish only. All other brands and finishes priced upon request.

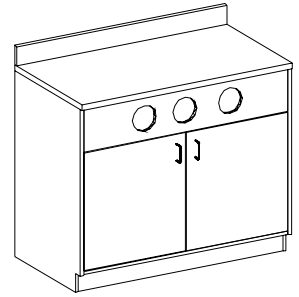
Additional crating charge \$20.00 per unit. Shipping weights are approximate pounds per crated item.

Need it Fast?
 Ask us about our Expedite Option!
 Guaranteed to Ship any stock item
 in only 5 days! Call to learn more!

Fountain Unit

Features:

- 26"D x 40"H - Counter Height
- Durable 1-1/8" thick top
- Front 4"H recessed toe kick
- Three cupholder cutouts (cupholders not included) 5-3/8" diam.
- 3/4" hinged doors with interior adjustable shelf
- 4"H rear backsplash
- LPL white interior and exterior back



Item No.	Width	Depth	Wt.	Standard List	Woodgrain List
2021-36-##	36"	26"	240	\$537.24	\$575.53
2021-48-##	48"	26"	275	\$589.54	\$638.54
2021-60-##	60"	26"	300	\$665.08	\$712.10

##-Specify finish (low pressure laminate, matte finish)

Standard finish: 01-Almond 02-Black 03-Gray 04-White
 Woodgrain finish: 05-Cherry 06-Maple 07-Walnut 08-Medium Oak

Options:

Item No.	Description	List
8221-36	Add'l. charge for HPL finish-36" fountain unit*	\$290.00
8221-48	Add'l. charge for HPL finish-48" fountain unit*	\$330.00
8221-60	Add'l. charge for HPL finish-60" fountain unit*	\$370.00
ACC-1810	4" stainless steel legs	\$160.00
ACC-1360	2-1/2" heavy duty casters	\$90.00

*LPL white interior. Custom exterior HPL finishes are available from Formica, Wilsonart, and Nevamar. Allow a 3-4 week lead time. Solid colors or woodgrains in matte finish only. All other brands and finishes priced upon request.

Additional crating charge \$20.00 per unit. Shipping weights are approximate pounds per crated item.

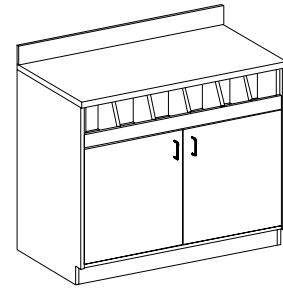
Not finding what you're looking for?

DRAS Cases has the ability to customize any fixture to meet the design requirements of your next project. With the availability of a wide variety of materials including laminate, veneer, solid wood and glass, you can turn to DRAS Cases to manufacture the perfect custom solution to meet all of your fixture needs. Contact your sales representative to find out how we can help you today!

Condiment Unit

Features:

- 26"D x 40"H - Counter height
- Durable 1-1/8" thick top
- Front 4"H recessed toe kick
- 3/4" hinged doors with interior adjustable shelf
- Built in fixed front compartments
- 4"H rear backsplash
- LPL white interior and exterior back



Item No.	Width	Depth	Wt.	Standard List	Woodgrain List
2031-36-##	36"	26"	260	\$607.28	\$653.54
2031-48-##	48"	26"	310	\$662.50	\$703.54

##-Specify finish (low pressure laminate, matte finish)

Standard finish: 01-Almond 02-Black 03-Gray 04-White

Woodgrain finish: 05-Cherry 06-Maple 07-Walnut 08-Medium Oak

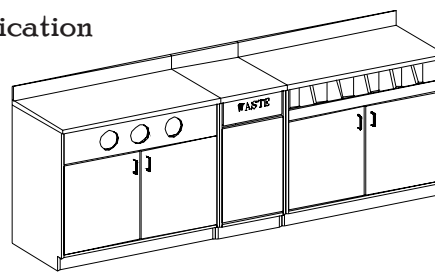
Options:

Item No.	Description	List
8231-36	Add'l. charge for HPL finish-36" condiment unit*	\$290.00
8231-48	Add'l. charge for HPL finish-48" condiment unit*	\$350.00
ACC-1810	4" stainless steel legs	\$160.00
ACC-1360	2-1/2" heavy duty casters	\$90.00

*LPL white interior. Custom exterior HPL finishes are available from Formica, Wilsonart, and Nevamar. Allow a 3-4 week lead time. Solid colors or woodgrains in matte finish only. All other brands and finishes priced upon request.

Additional crating charge \$20.00 per unit. Shipping weights are approximate pounds per crated item.

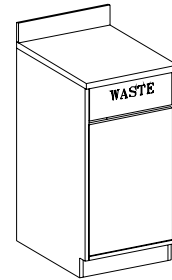
Determining the most effective layout of your foodservice fixtures is essential to the success of your business. The modular design of the convenience counters offers unlimited options to streamline your space. In addition to our convenience products, DRAS Cases offers design-build services with the fabrication of custom fixtures to solve even the most unique challenges. Contact our sales team today and let us find the solution that best works for you!



Waste Unit

Features:

- 20"W x 26"D x 40"H
- Durable 1-1/8" thick top
- Front 4" high recessed toe kick
- 6-3/4"H flip door, 25 gal. waste container included
- Easy to read "WASTE" in black or white lettering
- Single hinged door
- 4"H rear backsplash
- LPL white interior and exterior back



Item No.	Width	Depth	Wt.	Standard List	Woodgrain List
2041-20-##	20"	26"	175	\$460.88	\$493.68

##-Specify finish (low pressure laminate, matte finish)

Standard finish: 01-Almond 02-Black 03-Gray 04-White
Woodgrain finish: 05-Cherry 06-Maple 07-Walnut 08-Medium Oak

Options:

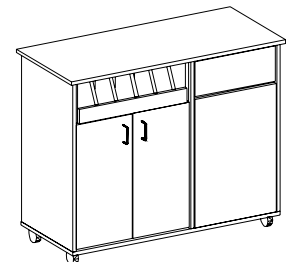
Item No.	Description	List
8241*	Additional charge for HPL finish*	\$270.00
ACC-1810	4" stainless steel legs	\$160.00
ACC-1360	2-1/2" heavy duty casters	\$90.00

*LPL white interior. Custom exterior HPL finishes are available from Formica, Wilsonart, and Nevamar. Allow a 3-4 week lead time. Solid colors or woodgrains in matte finish only. All other brands and finishes priced upon request.

Coffee Bar

Features:

- 48"W x 20"D x 38"H
- Durable 3/4" thick HPL top
- Heavy duty casters, 2 locking
- Accessible from both sides
- Built-in storage compartments
- Hinged doors with interior adjustable shelf
- 7-1/4"H swinging waste receptacle doors



Item No.	Width	Depth	Wt.	Standard List	Woodgrain List
2050-48-##	48"	20"	280	\$846.08	\$888.50

##-Specify finish (low pressure laminate, matte finish)

Standard finish: 01-Almond 02-Black 03-Gray 04-White
Woodgrain finish: 05-Cherry 06-Maple 07-Walnut 08-Medium Oak

Options:

Item No.	Description	List
8250*	Additional charge for HPL Base*	\$375.00

*LPL white interior. Custom exterior HPL finishes are available from Formica, Wilsonart, and Nevamar. Allow a 3-4 week lead time. Solid colors or woodgrains in matte finish only. All other brands and finishes priced upon request.

Additional crating charge \$20.00 per unit. Shipping weights are approximate pounds per crated item.

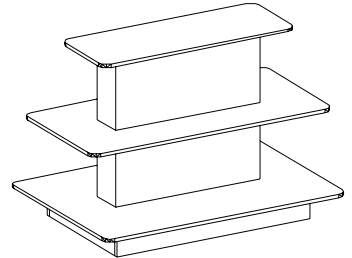
Specialty and Custom Products

Three Tier Merchandising Table

Optimizing your display space, the functional design and durable construction of the three tier merchandising table makes this unit an excellent addition to any service environment.

Features:

- 6" high recessed toe base
- Overall height: 42"
- Bottom shelf: 60" x 42"
- Middle shelf: 60" x 30"
- Top shelf: 48" x 18"
- Available with square or rounded corners
- Ships KD - assembles quickly and easily
- Standard colors and Maple have T-nosing to match, all other woodgrains have black T-nosing



Item No.	Style	Wt.	Standard List	Woodgrain List
1073-00-##	Round Corners	275	\$657.22	\$664.23
1073-01-##	Square Corners	275	\$501.59	\$543.02

##-Specify finish (low pressure laminate, matte finish)

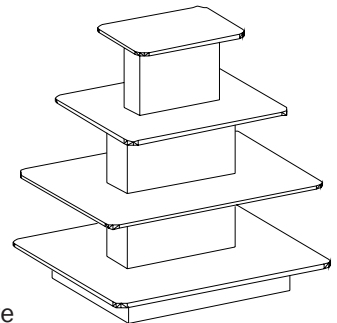
Standard finish: 01-Almond 02-Black 03-Gray 04-White
 Woodgrain finish: 05-Cherry 06-Maple 07-Walnut 08-Medium Oak

Four Tier Merchandising Table

Similar styling to the three tier table, this unit allows you to maximize your merchandising space.

Features:

- 6" high recessed toe base
- Overall height: 52"
- Bottom shelf: 48" x 42"
- Second shelf: 48" x 36"
- Third shelf: 36" x 30"
- Top shelf: 24" x 18"
- Available with square or rounded corners
- Ships KD - assembles quickly and easily
- Standard colors and Maple T-nosing to match, all other woodgrains have black T-nosing



Item No.	Style	Wt.	Standard List	Woodgrain List
1074-00-##	Round Corners	275	\$694.25	\$735.32
1074-01-##	Square Corners	275	\$609.16	\$656.89

##-Specify finish (low pressure laminate, matte finish)

Standard finish: 01-Almond 02-Black 03-Gray 04-White
 Woodgrain finish: 05-Cherry 06-Maple 07-Walnut 08-Medium Oak

Additional crating charge \$20.00 per unit. Shipping weights are approximate pounds per crated item.

Round Display Table

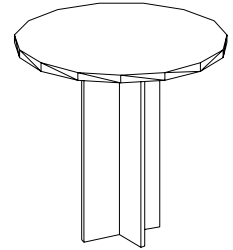
Providing innovative solutions is our goal. Maximize merchandising space with these versatile display tables. An excellent addition to any service environment for display or function.

Features:

- Durable 3/4" laminate construction
- Circular surface: 30" diameter
- Overall height: 30"
- Ships KD - assembles quickly and easily

Item No.	Diam.	Wt.	Standard List	Woodgrain List
1078-30-##	30"	42	\$119.52	\$128.34
1078-00	30"	42	unfinished: \$108.93	

##-Specify finish (low pressure laminate, matte finish)
 Standard finish: 01-Almond 02-Black 03-Gray 04-White
 Woodgrain finish: 05-Cherry 06-Maple 07-Walnut 08-Medium Oak



Folding Dump Table

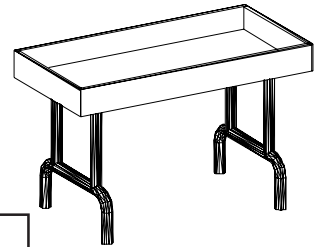
Easy folding legs allow for quick set up and minimal storage when not in use. Available in 48" & 60" lengths.

Features:

- Durable 3/4" laminate construction
- 4" recessed well
- Black heavy duty steel legs
- Overall height: 31"

Item No.	Width	Depth	Wt.	Standard List	Woodgrain List
1086-48-##	48"	24"	47	\$151.62	\$159.20
1086-60-##	60"	24"	65	\$173.45	\$182.97

##-Specify finish (low pressure laminate, matte finish)
 Standard finish: 01-Almond 02-Black 03-Gray 04-White
 Woodgrain finish: 05-Cherry 06-Maple 07-Walnut 08-Medium Oak



Slatwall Counter

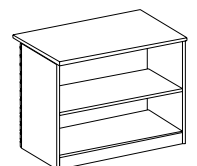
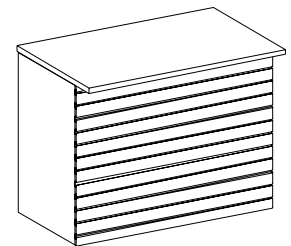
Save valuable floor space with this compact design! This well designed fixture offers dual function-a service counter and slatwall display combined into one.

Features:

- Durable 3/4" construction, 38" H
- Available in 48", 60" & 70" lengths
- Open rear storage with 3/4" adjustable storage shelf
- Center divider panel for added support (60" and 70" widths only)
- 24"D top, 18"D base unit, 3" O.C. slatwall front
- Available in white or gray

Item No.	Width	Depth	Wt.	Standard List	Woodgrain List
1023-48	48"	24"	240	\$622.50	NA
1023-60	60"	24"	275	\$655.43	NA
1023-70	70"	24"	325	\$689.27	NA

Additional crating charge \$20.00 per unit. Shipping weights are approximate pounds per crated item.



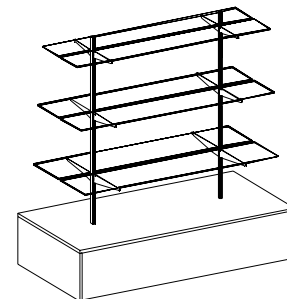
Island Display

The Island Display provides versatile merchandising capabilities by allowing access from every angle. Draw attention to any product with the addition of this display

Features:

- Solid low pressure base: 13-1/2"H x 30"D
- Available in 48" or 60" lengths
- Three rows of adjustable tiered glass shelves: 8"D, 10"D & 12"D
- Heavy duty steel standards and brackets

Item No.	Width	Length	Wt.	Standard List	Woodgrain List
1076-48	30"	48"	195	\$559.94	NA
1076-60	30"	60"	220	\$601.95	NA



##-Specify finish (low pressure laminate, matte finish)

Standard finish: 01-Almond 02-Black 03-Gray 04-White
Woodgrain finish: 05-Cherry 06-Maple 07-Walnut 08-Medium Oak

Options:

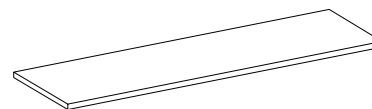
Item No.	Description	List
8076*	Lower storage with 1/4" sliding doors	\$136.00
8077*	Add'l. charge for HPL finish*	\$210.00

*LPL white interior. Custom exterior HPL finishes are available from Formica, Wilsonart, and Nevamar. Allow a 3-4 week lead time. Solid colors or woodgrains in matte finish only. All other brands and finishes priced upon request.

Wood Shelves

Features:

- 3/4" thick melamine shelves
- Available in solid or woodgrain finishes in 24" or 48" lengths
- Available in 12" & 14" depths
- Finished on 1 long edge and 2 short edges
- Packed two per carton (Price shown is per carton)



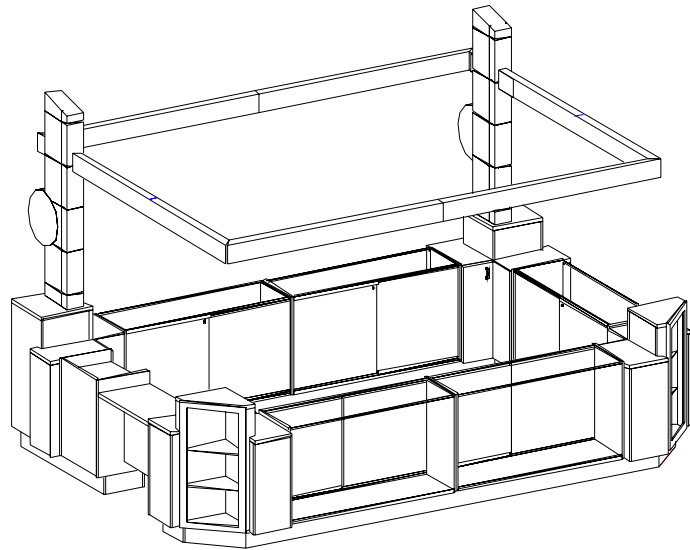
Item No.	Width	Length	Wt.	Standard List	Woodgrain List
9012-24	12"	24"	12	\$28.35	\$34.23
9012-48	12"	48"	24	\$44.52	\$51.24
9014-24	14"	24"	16	\$32.97	\$40.32
9014-48	14"	48"	26	\$54.10	\$62.58

##-Specify finish (low pressure laminate, matte finish)

Standard finish: 01-Almond 02-Black 03-Gray 04-White
Woodgrain finish: 05-Cherry 06-Maple 07-Walnut 08-Medium Oak

Additional crating charge \$20.00 per unit. Shipping weights are approximate pounds per crated item.

From Concept.....



...to Completion!

DRAS Cases is your complete source for all your fixture needs. We look at every new project as an exciting opportunity to help our customers succeed in the way they do business. At DRAS Cases, we recognize that our customers have many vendors to choose from for their fixture needs and believe that our personal service and commitment to quality distinguishes us from the competition.

Together, our experienced staff and skilled craftsmen can provide all the services needed to be your complete fixture supplier. We offer everything from CAD-based design capabilities and layout services to delivery and installation nationwide. Our quick turnarounds and attention to detail have allowed us to serve many industries including retail, foodservice, healthcare, hospitality and corporate environments.

Contact our sales team today and let us find the solution that works best for you!