

**Lumiback Panels**

- Lumibacks and extension backs are sized to work with standard Gondola back sizes– configurations combining pegboard, or other ¼" (6 mm) material, backs and Lumiback extension backs are possible
- Power consumption is approximately 8 watts per vertical foot
- Order transformers, backs and adapter sets separately
- Includes acrylic surface with integral LED lighting system and 5 foot long cord
- Effectively illuminates graphics or signage
- Reflector (-R) recommended for most applications, except where Triple Back Systems specified with centered Lumiback

**Lumiback Single Side Back Panels<sup>c</sup>**

- Back panels for single sided applications installed in regular back panel location

**LSSSB-(NW)(NH)-R**

LSSSB .... Lumiback Single Sided Back

NW .... Nominal Width 3' or 4'  
(914 mm or 1219 mm)

NH .... Nominal Height 36" to 72" in 6" increments  
(914 mm to 1829 mm in 152 mm increments)

R .... R=Reflector

**Lumiback Single Side Back Panel Extension<sup>c</sup>**

- Back panels for single sided applications installed in regular back panel location

**LSSBE-(NW)(NH)-R**

LSSBE .... Lumiback Single Sided Back Extension

NW .... Nominal Width 3' or 4'  
(914 mm or 1219 mm)

NH .... Nominal Height  
12" to 48" in 6" increments  
(305 mm to 1219 mm in 152 mm increments)

R .... Reflector

**Lumiback Triple Back Panels<sup>c</sup>**

**LSSTB-(NW)(NH)-R**

LSSTB .... Lumiback Triple Back

NW .... Nominal Width 3' or 4'  
(914 mm or 1219 mm)

NH .... Nominal Height 36" to 72" in 6" increments  
(914 mm to 1829 mm in 152 mm increments)

R .... R=Reflector



**Lumiback panels**

**NOTE!**

Minimum order is 20 Backs of any size.

**Lumiback Triple Back Panel Extension<sup>c</sup>**

**LSSTBE-(NW)(NH)-R**

LSSTBE .... Lumiback Triple Back Extension

NW .... Nominal Width 3' or 4'  
(914 mm or 1219 mm)

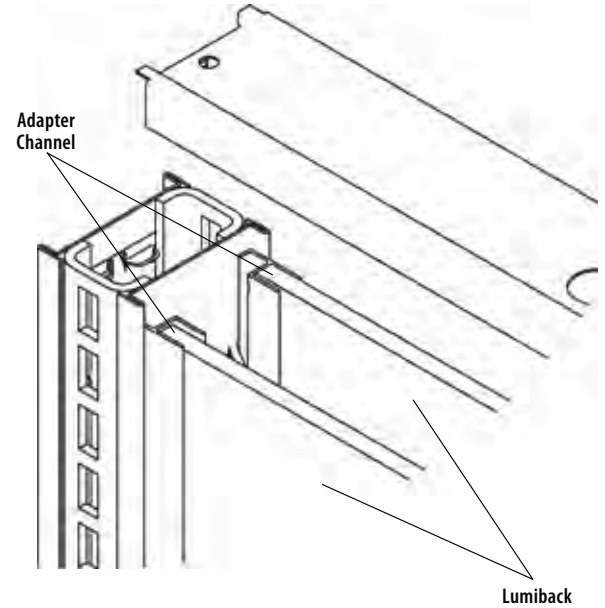
NH .... Nominal Height 12" to 48" in 6" increments  
(305 mm to 1219 mm in 152 mm increments)

R .... R=Reflector

### Lumiback Panel Adapter Sets<sup>C</sup>

- Back Adapter Set (required)
- Includes adapter channel for sides of panel
- Specify finish (recommended finish is match to upright)

**NOTE!** Order the Lumibacks without the "R" - Reflector when used as a single centered back where illumination of both sides is desired.



Lumiback panels

### Lumiback Single Back Panel Adapter Set<sup>C</sup>

- Adapters for single sided applications installed in regular back panel location

#### LSBPAS-(NW)(NH)

LSBPAS.....Lumiback Back Panel Adapter Set

NW.....Nominal Width 36" or 48"  
(914 mm or 1219 mm)

NH..... Nominal Height 36" to 72" in 6" increments  
(914 mm to 1829 mm in 152 mm increments)

Adapter Channels  
Single Sided  
Regular Back

### Lumiback Single Back Panel Adapter Set- Extension<sup>C</sup>

- Adapters for single sided applications installed in extension back panel location

#### LSBPASE-(NW)(NH)

LSBPASE..... Lumiback Back Panel Adapter Set- Extension

NW.....Nominal Width 36" or 48"  
(914 mm or 1219 mm)

NH..... Nominal Height 36" to 72" in 6" increments  
(914 mm to 1829 mm in 152 mm increments)

Adapter Channels  
Single Sided  
Regular Back-  
Extension



**Lumiback Back Panel Adapter Set– Single Track<sup>C</sup>**

- Adapters for single centered back applications
- Includes both side and top/bottom adapters

**LSBPASS-(NW)(NH)**

LSBPASS.....Lumiback Back Panel Adapter Set– Single Track  
 NW.....Nominal Width 36" or 48" (914 mm or 1219 mm)  
 NH.....Nominal Height 36" to 72" in 6" increments (914 mm to 1829 mm in 152 mm increments)



Centered, Single Back Option

**Lumiback Extension Back Panel Adapter Set– Single Track<sup>C</sup>**

- Adapters for single centered back applications installed in extension back panel
- Includes both side and top/bottom adapters

**LSBPASES-(NW)(NH)**

LSBPASES.....Lumiback Extension Back Panel Adapter Set– Single Track  
 NW.....Nominal Width 36" or 48" (914 mm or 1219 mm)  
 NH.....Nominal Height 12" to 48" in 6" increments (305 mm to 1219 mm in 152 mm increments)



Centered, Single Back Option– Extension

**Lumiback Back Panel Adapter Set– Triple Track<sup>C</sup>**

- Adapters for triple back applications
- Includes both side and top/bottom adapters

**LSBPAST-(NW)(NH)**

LSBPAST.....Lumiback Back Panel Adapter Set– Triple Track  
 NW.....Nominal Width 36" or 48" (914 mm or 1219 mm)  
 NH.....Nominal Height 36" to 72" in 6" increments (914 mm to 1829 mm in 152 mm increments)



Triple Back Option

**Lumiback Extension Back Panel Adapter Set– Triple Track<sup>C</sup>**

- Adapters for triple back applications installed in extension back panel location
- Includes both side and top/bottom adapters

**LSBPASET-(NW)(NH)**

LSBPASET.....Lumiback Extension Back Panel Adapter Set– Triple Track  
 NW.....Nominal Width 36" or 48" (914 mm or 1219 mm)  
 NH.....Nominal Height 12" to 48" in 6" increments (305 mm to 1219 mm in 152 mm increments)



Triple Back Option– Extension

