

MIDWEST
Retail Services, Inc.

www.midwestretailservices.com
800-576-7577 phone

Boltless Storage Shelving



Boltless Storage Shelving



Design Criteria

Post Capacities are based on the vertical spacing and total number of shelf levels in a static unit. Depending on the seismic zone where the unit is to be installed, capacities may be derated and footplates may be necessary. The unit capacities chart can be found on the back cover.

Beam Capacities are based on the engineered strength of 30,000 psi x 14 Ga. min. steel components with 5/8" thick 45# Industrial Grade Particle Board shelves. 42# Underlayment Grade may be substituted depending on availability. The beam capacity chart can be found on the back cover. Use beam ties (QBT's) as needed, one per beam level.

Design Criteria for all Units.

Start the assembly and construction with **full perimeter double rivet beams (QDR'S) around the top and bottom shelf levels.** An additional QDR beam level is required on all units 10' or taller.

All unit types must not exceed a height to depth ratio of 5 to 1 to be free standing and seismic zone requirements may call for additional QDR levels and/or footplates.

Select your unit type: determine the number of shelf levels and necessary "clear space" between beams. Then calculate the applied unit load (wt. per shelf x # of shelves.) Using this information check your individual post capacity.

Next, check the seismic zone where the unit is to be installed. All ratings on the back cover are for Seismic Zone 0 or 1 only. Be sure you rate your unit accurately. Call the factory to have your recommended design confirmed.

Standard Duty Unit: 350 lbs. per shelf level capacity.

Intermediate beam levels use full perimeter single rivet beams (QSR's.)
Exceptions: Units 24" deep or less do not require QSR's running front to back.

Call the factory to have your recommended design confirmed. Watch your post capacities carefully.

Medium Duty Unit: 480 - 600 lbs. per shelf level capacity.

Intermediate beam levels use full perimeter double rivet low profile beams (QDRLP-SR or -DR.)

Exceptions: On units 24" deep or less you may substitute QSR's for QDRLP-SR's as front to back beams. On intermediate beam levels with this configuration QDRLP-SR's are used for the left to right beams.

Call the factory to have your recommended design confirmed. Watch your post capacities carefully.

Heavy Duty Unit: 1,600 - 2,000 lbs. per shelf level capacity.

All beam levels use full perimeter double rivet beams (QDR's.)

Use beam ties (QBT's) as needed. One per beam level.

Call the factory to have your recommended design confirmed. Watch your post capacities carefully.

Wide Span Unit: 500 - 1,400 lbs. per shelf level capacity.

All beam levels use full perimeter (QDR's) or QDRC's left to right

with QDR's front to back for heavy duty capacities. Use beam ties (QBT's), one per beam level. Call the factory to have your recommended design confirmed. Watch your post capacities carefully.

All units have a growth of 1/2" in depth and 3/4" in width.

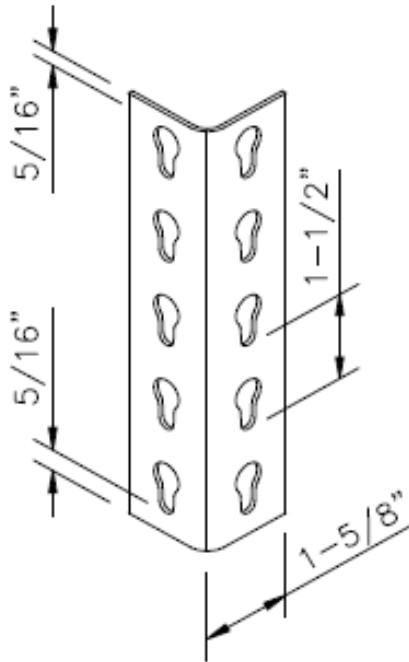
Boltless Storage Shelving



Q Shelf Rivet Shelving

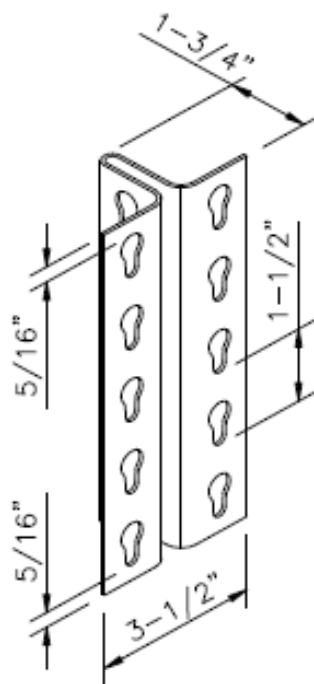
by Teihaber Manufacturing Corporation

Angle Posts 14Ga Standard Package—8 Pieces



ITEM	SIZE	WT.	LIST
QP3	3'0"	2.2	6.45
QP4	4'0"	2.9	7.95
QP5	5'0"	3.6	8.45
QP6	6'0"	4.3	10.12
QP7	7'0"	5.1	11.81
QP8	8'0"	5.8	13.65
QP8'9"	8'9"	6.3	15.45
QP9	9'0"	6.5	15.75
QP10	10'0"	7.2	16.70
QP11	11'0"	7.9	18.75
QP12	12'0"	8.7	20.25
QP13	13'0"	9.4	22.25
QP14	14'0"	10.1	23.92
QP15	15'0"	10.8	25.25
QP15' 1-1/2"	15' 1-1/2"	10.9	25.85
QP16	16'0"	11.5	27.35
QP17	17'0"	12.2	29.05
QP18	18'0"	13.1	30.80
QP19	19'0"	13.8	32.50
QP20	20'	14.1	34.20

T- Posts 14Ga Standard Package—4 Pieces

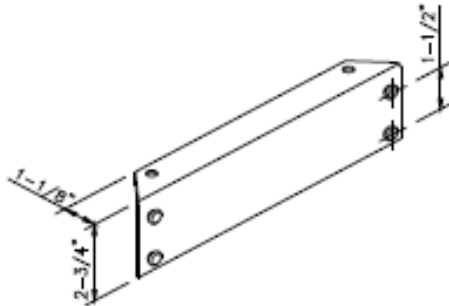


ITEM	SIZE	WT.	LIST
QTP3	3'0"	4.6	11.35
QTP4	4'0"	6.1	13.55
QTP5	5'0"	7.7	17.35
QTP6	6'0"	9.2	20.85
QTP7	7'0"	10.2	22.05
QTP8	8'0"	11.6	25.37
QTP8'9"	8'9"	13.1	28.65
QTP9	9'0"	13.8	30.15
QTP10	10'0"	14.5	31.25
QTP11	11'0"	16.7	35.00
QTP12	12'0"	17.4	37.55
QTP13	13'0"	19.9	40.75
QTP14	14'0"	21.5	44.85
QTP15	15'0"	21.8	47.05
QTP15' 1-1/2"	15' 1-1/2"	22	48.15
QTP16	16'0"	24.5	51.05
QTP17	17'0"	26.1	54.35
QTP18	18'0"	27.6	57.55
QTP19	19'0"	29.1	60.75
QTP20'	20'	29.5	63.65

Boltless Storage Shelving



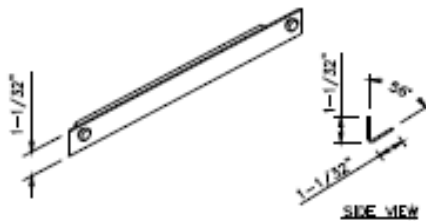
Double Rivet Beams 14 ga Standard Package—10 Pieces



Order shelf size equal to nominal depth and width with Full Double Rivet construction. Cut wood 1/8" less in depth & width for Single Rivet or Low Profile intermediate level configurations.

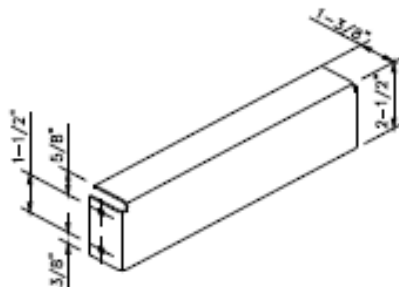
ITEM	SIZE	WT.	LIST
QDR12	12"	1.0	3.72
QDR16	16"	1.3	3.92
QDR18	18"	1.5	4.28
QDR24	24"	2.0	4.85
QDR30	30"	2.5	5.61
QDR32	32"	2.7	6.51
QDR36	36"	3.0	6.58
QDR42	42"	3.5	7.75
QDR43	43"	3.7	8.18
QDR48	48"	4.0	8.61
QDR54	54"	4.5	10.18
QDR60	60"	5.0	10.87
QDR64	64"	5.4	11.58
QDR66	66"	5.5	11.95
QDR69	69"	5.7	12.45
QDR72	72"	6.0	12.95
QDR84	84"	7.0	15.07
QDR96	96"	8.0	17.20

Single Rivet Beams 14 ga Standard Package—20 Pieces



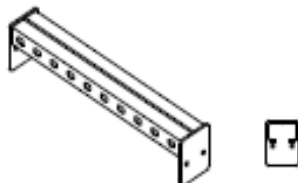
ITEM	SIZE	WT.	LIST
QSR12	12"	0.6	2.57
QSR16	16"	0.7	2.70
QSR18	18"	0.9	2.76
QSR24	24"	1.2	3.16
QSR30	30"	1.5	3.55
QSR36	36"	1.8	4.10
QSR42	42"	2.1	4.87
QSR48	48"	2.4	5.40

Beam Tie 14 ga Standard Package—10 Pieces



ITEM	SIZE	WT.	LIST
QBT12	12"	1.3	4.31
QBT16	16"	1.5	5.07
QBT18	18"	1.8	5.57
QBT24	24"	2.3	6.82
QBT30	30"	2.8	7.50
QBT32	32"	3.0	7.95
QBT36	36"	3.3	8.92
QBT42	42"	3.8	10.25
QBT43	43"	3.9	10.57
QBT48	48"	4.3	11.61

Open Channel Deck Support 14 ga



ITEM	SIZE	WT.	LIST
QODS30	30"	5.8	20.63
QODS32	32"	6.1	21.68
QODS36	36"	6.7	23.82
QODS42	42"	7.8	26.97
QODS48	48"	8.4	27.25
QODS54	54"	9.3	30.15

Q Shelf Rivet Shelving by Teñaber Manufacturing Corporation

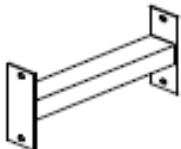
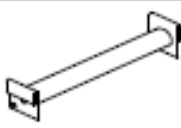
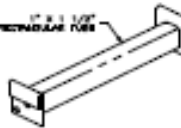
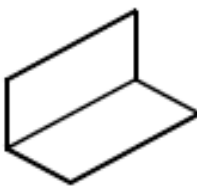


Boltless Storage Shelving



Q Shelf Rivet Shelving by Teihaber Manufacturing Corporation	Double Rivet Channel Beams 14 ga Standard Package—10 Pieces		<table border="1"> <thead> <tr> <th>ITEM</th> <th>SIZE</th> <th>WT.</th> <th>LIST</th> </tr> </thead> <tbody> <tr><td>QDRC24</td><td>24"</td><td>2.6</td><td>7.38</td></tr> <tr><td>QDRC30</td><td>30"</td><td>3.3</td><td>9.25</td></tr> <tr><td>QDRC32</td><td>32"</td><td>3.5</td><td>10.25</td></tr> <tr><td>QDRC36</td><td>36"</td><td>3.9</td><td>11.55</td></tr> <tr><td>QDRC48</td><td>48"</td><td>5.2</td><td>14.75</td></tr> <tr><td>QDRC60</td><td>60"</td><td>6.5</td><td>18.30</td></tr> <tr><td>QDRC72</td><td>72"</td><td>7.8</td><td>22.55</td></tr> <tr><td>QDRC84</td><td>84"</td><td>9.1</td><td>25.75</td></tr> <tr><td>QDRC96</td><td>96"</td><td>10.4</td><td>29.15</td></tr> </tbody> </table>	ITEM	SIZE	WT.	LIST	QDRC24	24"	2.6	7.38	QDRC30	30"	3.3	9.25	QDRC32	32"	3.5	10.25	QDRC36	36"	3.9	11.55	QDRC48	48"	5.2	14.75	QDRC60	60"	6.5	18.30	QDRC72	72"	7.8	22.55	QDRC84	84"	9.1	25.75	QDRC96	96"	10.4	29.15
	ITEM	SIZE	WT.	LIST																																							
	QDRC24	24"	2.6	7.38																																							
	QDRC30	30"	3.3	9.25																																							
	QDRC32	32"	3.5	10.25																																							
	QDRC36	36"	3.9	11.55																																							
QDRC48	48"	5.2	14.75																																								
QDRC60	60"	6.5	18.30																																								
QDRC72	72"	7.8	22.55																																								
QDRC84	84"	9.1	25.75																																								
QDRC96	96"	10.4	29.15																																								
Tire Storage Beams 14 ga Standard Package—10 Pieces		<table border="1"> <thead> <tr> <th>ITEM</th> <th>SIZE</th> <th>WT.</th> <th>LIST</th> </tr> </thead> <tbody> <tr><td>QTSB36</td><td>36"</td><td>3.0</td><td>6.62</td></tr> <tr><td>QTSB48</td><td>48"</td><td>4.0</td><td>8.75</td></tr> <tr><td>QTSB60</td><td>60"</td><td>5.0</td><td>10.95</td></tr> </tbody> </table>	ITEM	SIZE	WT.	LIST	QTSB36	36"	3.0	6.62	QTSB48	48"	4.0	8.75	QTSB60	60"	5.0	10.95																									
ITEM	SIZE	WT.	LIST																																								
QTSB36	36"	3.0	6.62																																								
QTSB48	48"	4.0	8.75																																								
QTSB60	60"	5.0	10.95																																								
Single-Rivet Compatible Low Profile 14 ga Standard Package—10 Pieces		<table border="1"> <thead> <tr> <th>ITEM</th> <th>SIZE</th> <th>WT.</th> <th>LIST</th> </tr> </thead> <tbody> <tr><td>QDRLP12-SR</td><td>12"</td><td>0.8</td><td>3.40</td></tr> <tr><td>QDRLP18-SR</td><td>18"</td><td>1.1</td><td>3.75</td></tr> <tr><td>QDRLP24-SR</td><td>24"</td><td>1.4</td><td>4.70</td></tr> <tr><td>QDRLP30-SR</td><td>30"</td><td>1.7</td><td>5.21</td></tr> <tr><td>QDRLP36-SR</td><td>36"</td><td>2.0</td><td>5.90</td></tr> <tr><td>QDRLP42-SR</td><td>42"</td><td>2.3</td><td>7.15</td></tr> <tr><td>QDRLP48-SR</td><td>48"</td><td>2.6</td><td>7.95</td></tr> </tbody> </table>	ITEM	SIZE	WT.	LIST	QDRLP12-SR	12"	0.8	3.40	QDRLP18-SR	18"	1.1	3.75	QDRLP24-SR	24"	1.4	4.70	QDRLP30-SR	30"	1.7	5.21	QDRLP36-SR	36"	2.0	5.90	QDRLP42-SR	42"	2.3	7.15	QDRLP48-SR	48"	2.6	7.95									
ITEM	SIZE	WT.	LIST																																								
QDRLP12-SR	12"	0.8	3.40																																								
QDRLP18-SR	18"	1.1	3.75																																								
QDRLP24-SR	24"	1.4	4.70																																								
QDRLP30-SR	30"	1.7	5.21																																								
QDRLP36-SR	36"	2.0	5.90																																								
QDRLP42-SR	42"	2.3	7.15																																								
QDRLP48-SR	48"	2.6	7.95																																								
Double-Rivet Compatible Low Profile 14 ga Standard Package—10 Pieces		<table border="1"> <thead> <tr> <th>ITEM</th> <th>SIZE</th> <th>WT.</th> <th>LIST</th> </tr> </thead> <tbody> <tr><td>QDRLP12-DR</td><td>12"</td><td>0.8</td><td>3.58</td></tr> <tr><td>QDRLP18-DR</td><td>18"</td><td>1.1</td><td>4.15</td></tr> <tr><td>QDRLP24-DR</td><td>24"</td><td>1.4</td><td>4.88</td></tr> <tr><td>QDRLP30-DR</td><td>30"</td><td>1.7</td><td>5.51</td></tr> <tr><td>QDRLP36-DR</td><td>36"</td><td>2.0</td><td>6.10</td></tr> <tr><td>QDRLP42-DR</td><td>42"</td><td>2.3</td><td>7.25</td></tr> <tr><td>QDRLP48-DR</td><td>48"</td><td>2.6</td><td>8.00</td></tr> </tbody> </table>	ITEM	SIZE	WT.	LIST	QDRLP12-DR	12"	0.8	3.58	QDRLP18-DR	18"	1.1	4.15	QDRLP24-DR	24"	1.4	4.88	QDRLP30-DR	30"	1.7	5.51	QDRLP36-DR	36"	2.0	6.10	QDRLP42-DR	42"	2.3	7.25	QDRLP48-DR	48"	2.6	8.00									
ITEM	SIZE	WT.	LIST																																								
QDRLP12-DR	12"	0.8	3.58																																								
QDRLP18-DR	18"	1.1	4.15																																								
QDRLP24-DR	24"	1.4	4.88																																								
QDRLP30-DR	30"	1.7	5.51																																								
QDRLP36-DR	36"	2.0	6.10																																								
QDRLP42-DR	42"	2.3	7.25																																								
QDRLP48-DR	48"	2.6	8.00																																								
Channel Beam Low Profile 14 ga Standard Package—10 Pieces		<table border="1"> <thead> <tr> <th>ITEM</th> <th>SIZE</th> <th>WT.</th> <th>LIST</th> </tr> </thead> <tbody> <tr><td>QDRLPC30</td><td>30"</td><td>2.0</td><td>6.55</td></tr> <tr><td>QDRLPC32</td><td>32"</td><td>2.1</td><td>6.95</td></tr> <tr><td>QDRLPC36</td><td>36"</td><td>2.4</td><td>7.85</td></tr> <tr><td>QDRLPC42</td><td>42"</td><td>2.7</td><td>9.10</td></tr> <tr><td>QDRLPC43</td><td>43"</td><td>2.8</td><td>9.70</td></tr> <tr><td>QDRLPC48</td><td>48"</td><td>3.1</td><td>10.15</td></tr> <tr><td>QDRLPC54</td><td>54"</td><td>3.4</td><td>11.85</td></tr> <tr><td>QDRLPC60</td><td>60"</td><td>3.9</td><td>13.15</td></tr> <tr><td>QDRLPC66</td><td>66"</td><td>4.2</td><td>14.50</td></tr> </tbody> </table>	ITEM	SIZE	WT.	LIST	QDRLPC30	30"	2.0	6.55	QDRLPC32	32"	2.1	6.95	QDRLPC36	36"	2.4	7.85	QDRLPC42	42"	2.7	9.10	QDRLPC43	43"	2.8	9.70	QDRLPC48	48"	3.1	10.15	QDRLPC54	54"	3.4	11.85	QDRLPC60	60"	3.9	13.15	QDRLPC66	66"	4.2	14.50	
ITEM	SIZE	WT.	LIST																																								
QDRLPC30	30"	2.0	6.55																																								
QDRLPC32	32"	2.1	6.95																																								
QDRLPC36	36"	2.4	7.85																																								
QDRLPC42	42"	2.7	9.10																																								
QDRLPC43	43"	2.8	9.70																																								
QDRLPC48	48"	3.1	10.15																																								
QDRLPC54	54"	3.4	11.85																																								
QDRLPC60	60"	3.9	13.15																																								
QDRLPC66	66"	4.2	14.50																																								

Boltless Storage Shelving



Handrail with Flat Plate for Elevated Walkways  Size: 1-1/2" x 1-1/2" x 14 gauge	ITEM	SIZE	WT.	LIST
	QHR30FP	30"	4.9	24.28
	QHR32FP	32"	5.2	25.65
	QHR36FP	36"	5.9	27.25
	QHR42FP	42"	6.8	31.75
QHR48FP	48"	7.8	36.30	
Round Hang Bar Zinc Coated Size: 1-1/4" Round Tube 	ITEM	SIZE	WT.	LIST
	QHBR36G	36"	3.0	19.05
	QHBR48G	48"	4.0	25.35
Hang Bars Painted Size: 1" x 1-1/2" 	ITEM	SIZE	WT.	LIST
	QHB36	36"	3.0	18.25
	QHB48	48"	4.0	24.45
	QHB72	72"	6.0	37.45
QHB96	96"	8.0	50.45	
Kickplate Size: 6" x 6" x 12 gauge 	ITEM	SIZE	WT.	LIST
	QKP29.5	29-1/2"	10.7	31.78
	QKP31.5	31-1/2"	11.4	33.95
	QKP35.5	35-1/2"	12.8	38.05
	QKP41.5	41-1/2"	15.0	44.28
QKP47.5	47-1/2"	17.1	50.45	
Bar Grating 	ITEM	SIZE	WT.	LIST
	QBG24146	24"x146"	126.6	374.25
	QBG30146	30"x146"	157.2	467.85
QBG36146	36"x146"	189.8	561.35	
Tie Pin and Tie Pin Hammer 	ITEM	SIZE	WT.	LIST
	QTP	N/A	0.2	1.00
QTPH	N/A	2.0	31.70	
Butterfly Clips	QBC	N/A	0.1	1.05
Tek Screws	QTS1.5	N/A	0.1	1.00
Grating Cut Charge	CUTS	N/A	N/A	33.75
Anchor 3/8" x 3"	QHDA3	N/A	0.2	2.20
Plastic Angle Guard (top - 2 per t-post)	QPAG	N/A	0.1	0.68
Plastic feet (bottom - 2 per t-post)	QPFC	N/A	0.1	3.05
Cantilever Arm LEFTS AND RIGHTS	QCA12"	12"	1.9	25.15
Cantilever Arm LEFTS AND RIGHTS	QCA18"	18"	2.7	28.65
Front Support Tube	QFST36.1875	36"	3.0	19.75
Front Support Tube	QFST48.1875	48"	4.0	23.75
Front Support Tube	QFST72.1875	72"	7.0	25.25
QP Footplate 2" x 3-1/4" x 3/16"	QFP4	N/A	0.5	5.85
QTP Footplate 4" x 3-1/4" x 3/16"	QFP2	N/A	0.8	5.85
Splice Bar each 1 per Angle Post 2 per T Post	QSSA	N/A	0.8	8.25
Touch-up Paint SPECIFY COLOR	QPAINT	N/A	1.0	12.95

Q Shelf Rivet Shelving

by Tainaber Manufacturing Corporation

Boltless Storage Shelving

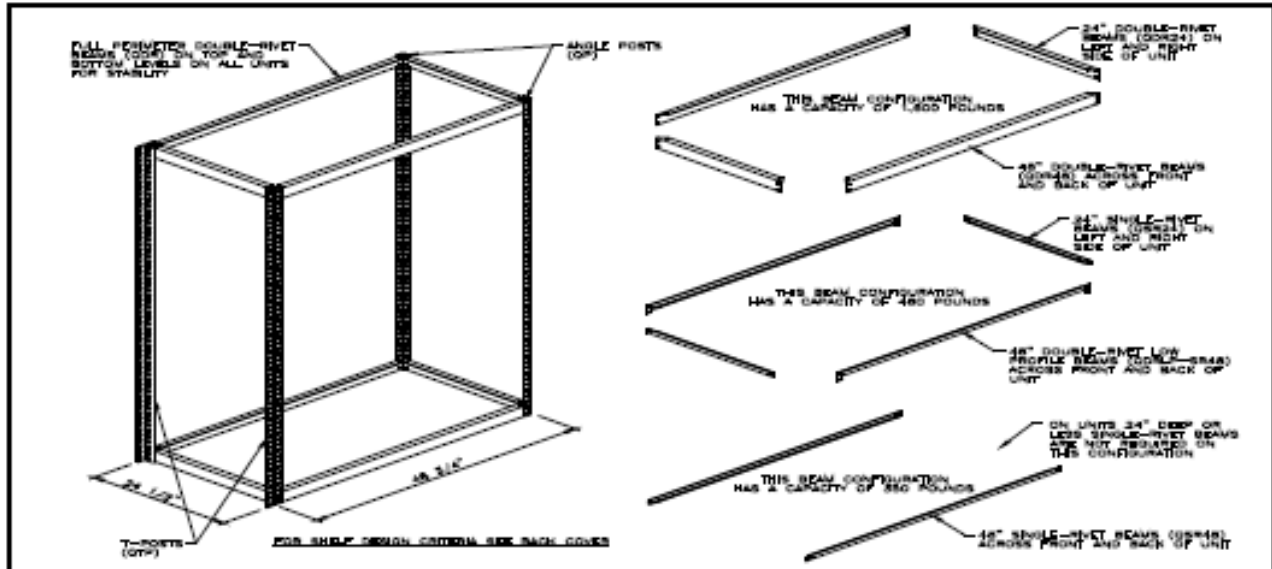


Particle Board Shelves <small>as of 2/1/09</small>										
Size	12"	16"	18"	24"	30"	32"	36"	42"	48"	Size
12"	2.5 \$4.27	3.3 \$5.92	3.8 \$6.18	5.0 \$6.85	6.3 \$7.78	6.8 \$7.78	7.5 \$8.50	8.8 \$9.63	10.0 \$9.63	12"
16"	3.3 \$5.92	4.4 \$6.54	5.0 \$7.06	6.6 \$7.78	8.3 \$9.01	8.9 \$9.01	10.0 \$11.48	11.7 \$11.48	13.3 \$11.48	16"
18"	3.8 \$6.18	5.0 \$7.06	5.6 \$8.50	7.5 \$8.50	9.4 \$11.48	10.1 \$11.48	11.3 \$12.93	13.2 \$12.93	15.0 \$12.93	18"
24"	5.0 \$6.85	6.6 \$7.98	7.5 \$8.50	10.0 \$9.63	12.5 \$11.48	13.5 \$11.48	15.0 \$12.93	17.5 \$15.14	20.0 \$15.14	24"
30"	6.3 \$7.78	8.3 \$9.01	9.4 \$11.48	12.5 \$11.48	15.6 \$18.85	16.9 \$18.85	18.8 \$18.85	21.9 \$18.85	25.0 \$18.85	30"
32"	6.8 \$7.98	8.9 \$9.01	10.1 \$11.48	13.5 \$11.48	16.9 \$18.85	18.2 \$18.85	20.3 \$18.85	23.6 \$18.85	27.0 \$18.85	32"
36"	7.5 \$8.50	10.0 \$11.48	11.3 \$12.93	15.0 \$12.93	18.8 \$18.85	20.3 \$18.85	22.5 \$20.65	26.3 \$20.65	30.0 \$20.65	36"
42"	8.8 \$9.63	11.7 \$11.48	13.2 \$12.93	17.5 \$15.14	21.9 \$18.85	23.6 \$18.85	26.3 \$20.65	30.6 \$26.16	35.0 \$26.16	42"
43"	9.0 \$9.63	11.9 \$11.48	13.4 \$12.93	17.9 \$15.14	22.4 \$18.85	23.9 \$18.85	26.9 \$20.65	31.4 \$26.16	35.8 \$26.16	43"
48"	10.0 \$9.63	13.3 \$11.48	15.0 \$12.93	20.0 \$15.14	25.0 \$18.85	27.0 \$18.85	30.0 \$20.65	35.0 \$26.16	40.0 \$26.16	48"
54"	11.3 \$12.41	15.0 \$15.14	16.9 \$20.65	22.5 \$20.65	28.1 \$37.23	30.0 \$37.23	33.8 \$37.23	39.4 \$37.23	45.0 \$37.23	54"
60"	12.5 \$12.41	16.7 \$15.14	18.8 \$20.65	25.0 \$20.65	31.3 \$37.23	33.8 \$37.23	37.5 \$37.23	43.8 \$37.23	50.0 \$37.23	60"
64"	13.3 \$12.41	17.8 \$15.14	20.0 \$20.65	26.7 \$20.65	33.3 \$37.23	35.6 \$37.23	40.0 \$37.23	46.7 \$37.23	53.3 \$37.23	64"
66"	13.8 \$12.41	18.3 \$15.14	20.6 \$20.65	27.5 \$20.65	34.4 \$37.23	37.1 \$37.23	41.3 \$37.23	48.1 \$37.23	55.0 \$37.23	66"
69"	14.5 \$12.41	19.2 \$15.14	21.8 \$20.65	29.0 \$20.65	36.3 \$37.23	39.2 \$37.23	43.5 \$37.23	50.8 \$37.23	58.0 \$37.23	69"
72"	15.0 \$12.41	20.0 \$15.14	22.5 \$20.65	30.0 \$20.65	37.5 \$37.23	40.5 \$37.23	45.0 \$37.23	52.5 \$37.23	60.0 \$37.23	72"
84"	17.5 \$15.14	23.3 \$18.85	26.3 \$26.16	35.0 \$26.16	43.8 \$48.26	47.3 \$48.26	52.5 \$48.26	61.3 \$48.26	70.0 \$48.26	84"
96"	20.0 \$15.14	26.7 \$18.85	30.0 \$26.16	40.0 \$26.16	50.0 \$48.26	54.0 \$48.26	60.0 \$48.26	70.0 \$48.26	80.0 \$48.26	96"
Size	12"	16"	18"	24"	30"	32"	36"	42"	48"	Size

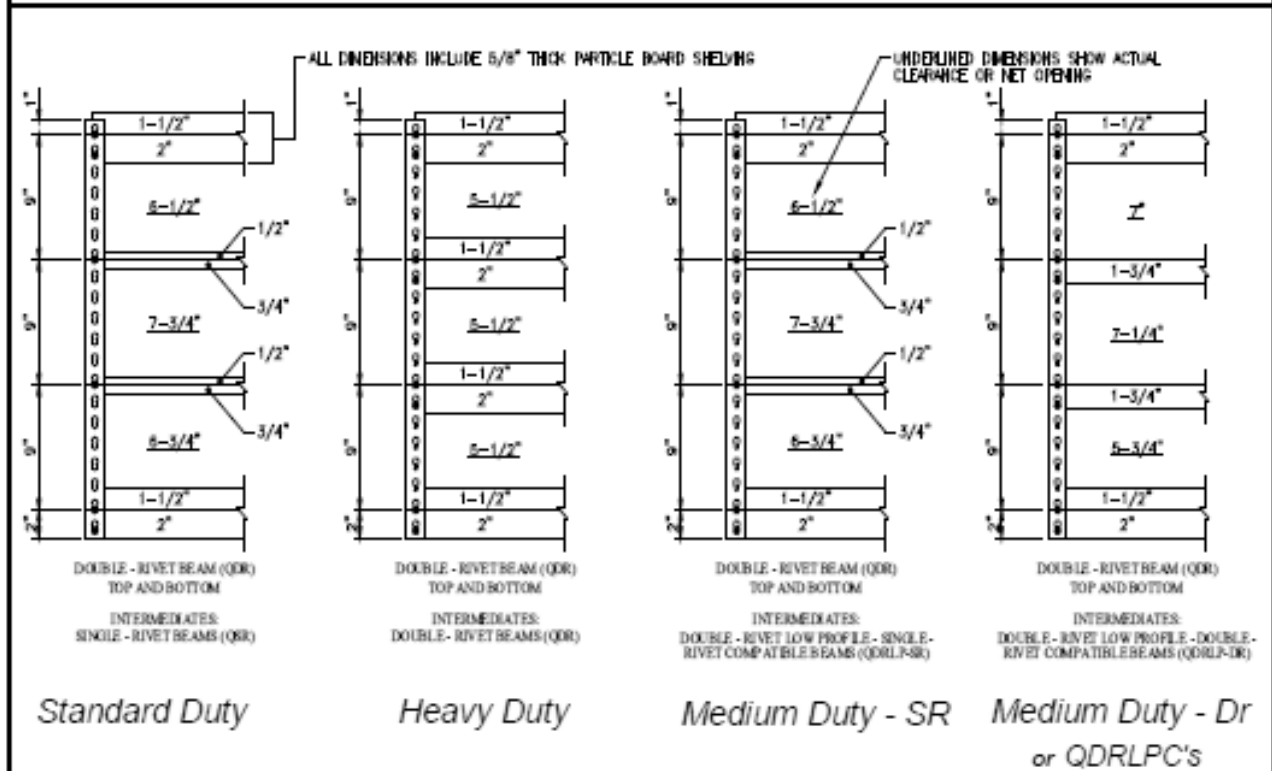
5/8" 45# Industrial Grade Particle Board 2.5 lbs. per square foot

Q Shelf Rivet Shelving
 by Teihaber Manufacturing Corporation

Boltless Storage Shelving



SHELF SPACING



Rivet to Rivet Spacing 1-1/2" on center.

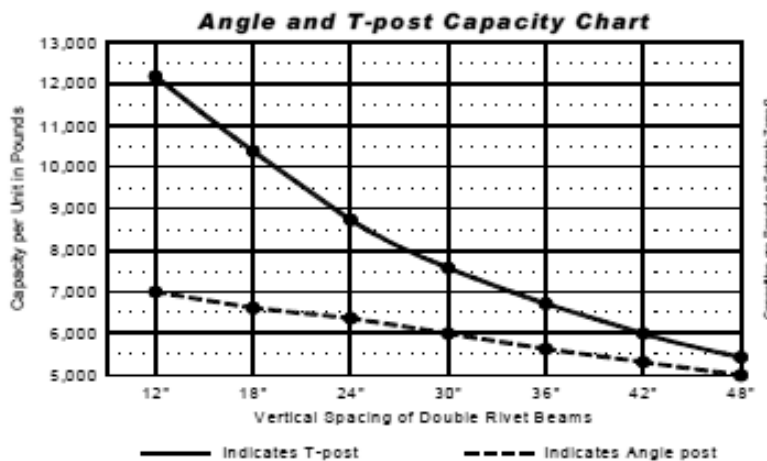
Use top of rivet to top of rivet dimension closest to desired clear space less beam and wood dimensions.

1 1/2" 3" 4 1/2" 6" 7 1/2" 9" 10 1/2" 12" 13 1/2" 15" 16 1/2" 18" 19 1/2" 21" 22 1/2" 24" 25 1/2" 27" 28 1/2" 30" 31 1/2" 33" 34 1/2" 36" 37 1/2" 39" 40 1/2" 42" 43 1/2" 45" 46 1/2" 48"

Boltless Storage Shelving



Capacities



Double Rivet Beam

(Width)	QDR	
	without Beam Tie	with Beam Tie
12" thru 42"	1600 lbs	N.R.
48"	1600 lbs	2000 lbs
60"	1000 lbs	1200 lbs
72"	900 lbs	1000 lbs
84"	N.R.	750 lbs
96"	N.R.	500 lbs

Double Rivet Channel Beam

QDRC	
with Beam Tie	
12" thru 42"	N.R.
48"	N.R.
60"	N.R.
72"	1400 lbs
84"	1200 lbs
96"	1000 lbs

Double Rivet Low-Profile

QDRLP 9R or DR
QDRLP 12" thru 36" - 600 lbs
QDRLP 42" thru 48" - 480 lbs

DR Low-Profile Channel

QDRLPC
QDRLPC 12" thru 36" - 740 lbs
QDRLPC 42" thru 48" - 550 lbs

Single Rivet Beam

QSR
QSR 12" thru 36" - 350 lbs
QSR 42" thru 48" - 350 lbs

Capacities and Shelving Unit Design Rules

The capacity charts above should be used by considering the longest beam type in a unit and matching that beam to the representative chart. Example: if your shelf is 48" wide x 24" deep using QDR Beams without beam ties, your capacity would be 1,600 lbs. The capacity is based on an evenly distributed load.

All Q shelf construction begins with QDR Beams "full perimeter" around the top and bottom level of every shelving unit. Low Profile QDRLP beams cannot be used as a substitute for QDR beams around top and bottom of units. All shelf unit designs above 350 lbs per shelf require "full perimeter" beam use. Medium Duty Shelving units 24" deep or less can use single rivet beams on intermediate levels. Standard Duty Units 350 lbs/shelf 24" deep or less do not require front to back (depth) QSR beams on intermediate levels. If greater than 24" deep use "full perimeter" beams on all levels in every shelving unit.