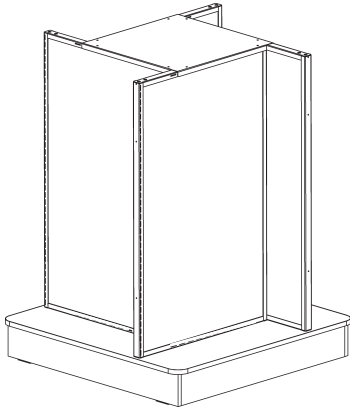
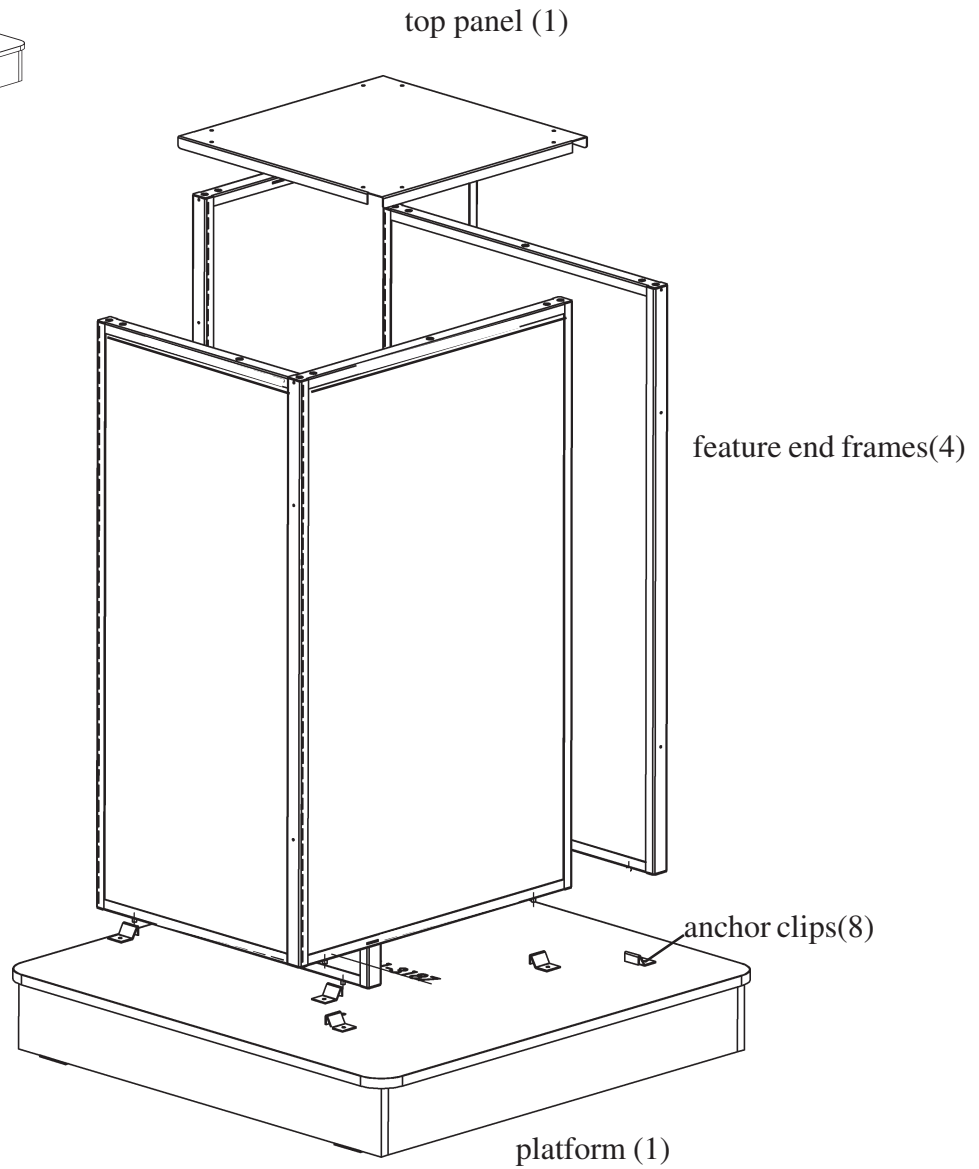


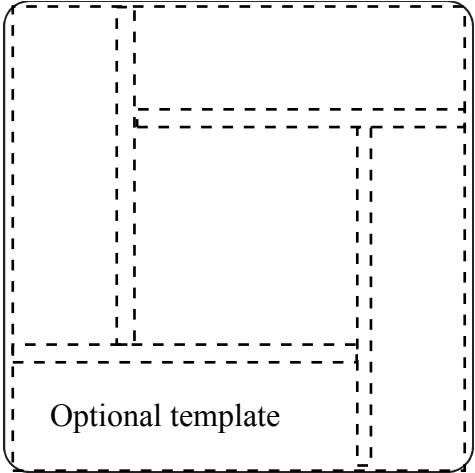
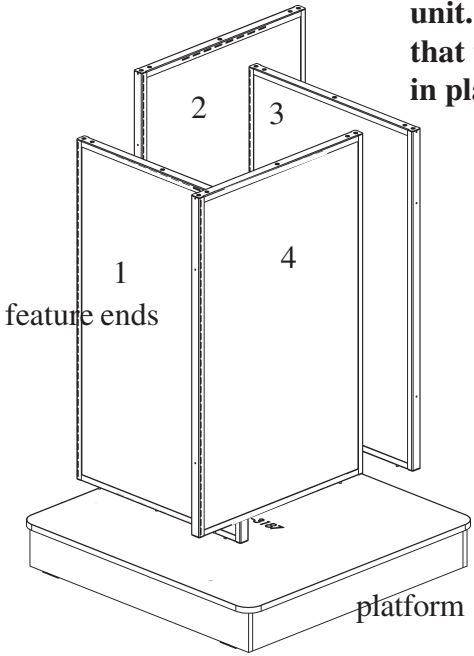
FOUR-WAY DISPLAYER



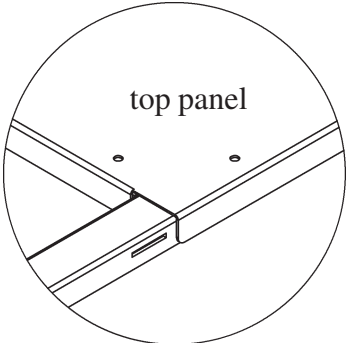
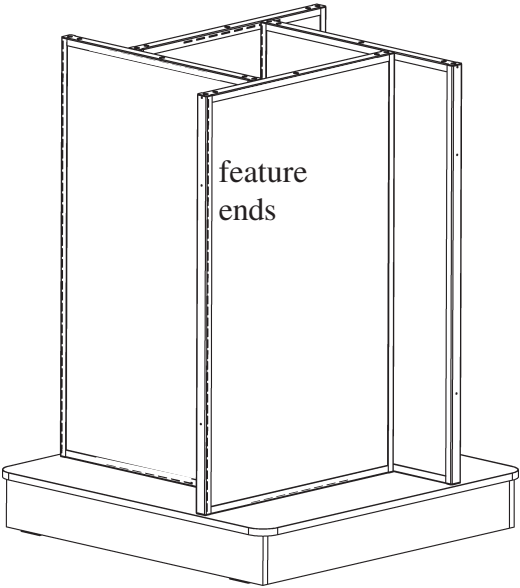
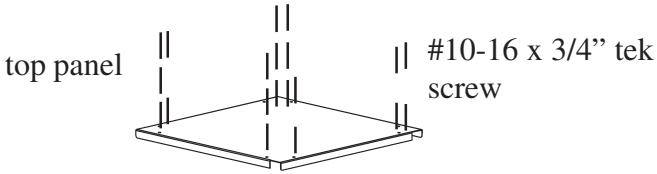
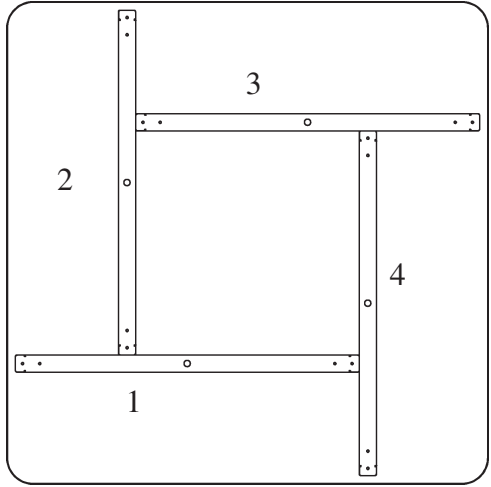
Finished view



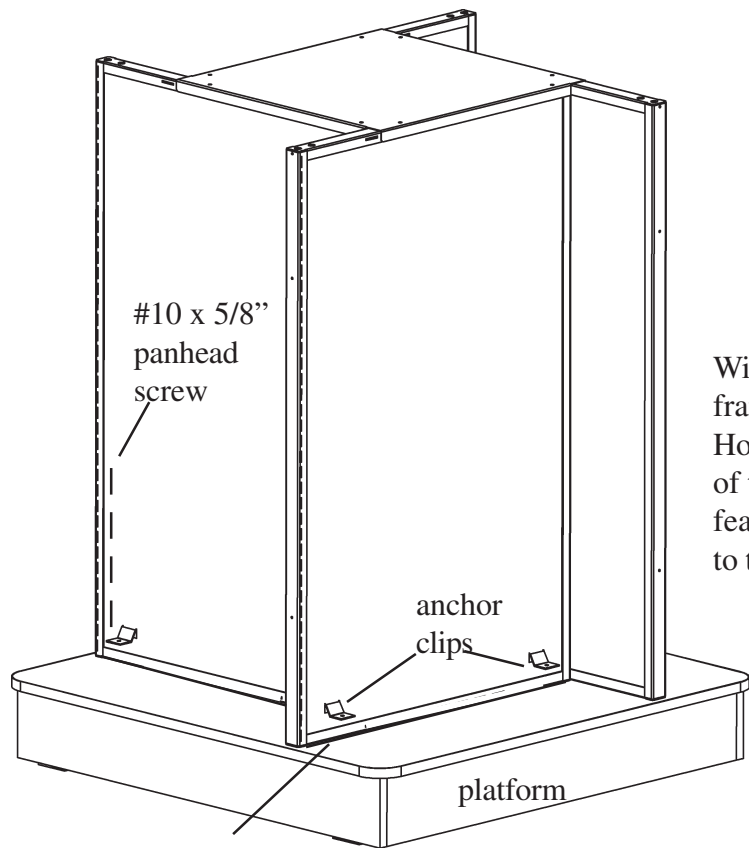
Note: It is recommended that 2 people assemble this unit. If you do not have 2 people it is recommended that tape is used on the top to hold the feature ends in place till the top panel is put on.



Place the optional template on the platform. Position the first feature end frame on the platform and place the other frames around.



With all the feature ends in place put the top panel on top of the feature ends. Make sure the panel goes over the feature ends.
Secure top panel to top of feature ends thru pre drilled holes on top panel using #10-16 x 3/4" tek screw.



With top panel secured, secure bottom of feature end frames to platform using anchor clips.

Hook the anchor clip approximately 3" from the edge of the feature end and over the bottom channel of the feature end frame securing the other half of the clip to the platform using #10 x 5/8" panhead screw.

bottom channel on feature end frame.

