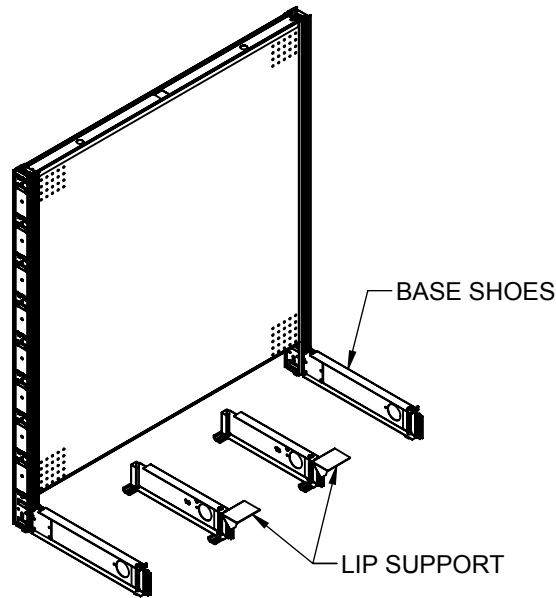


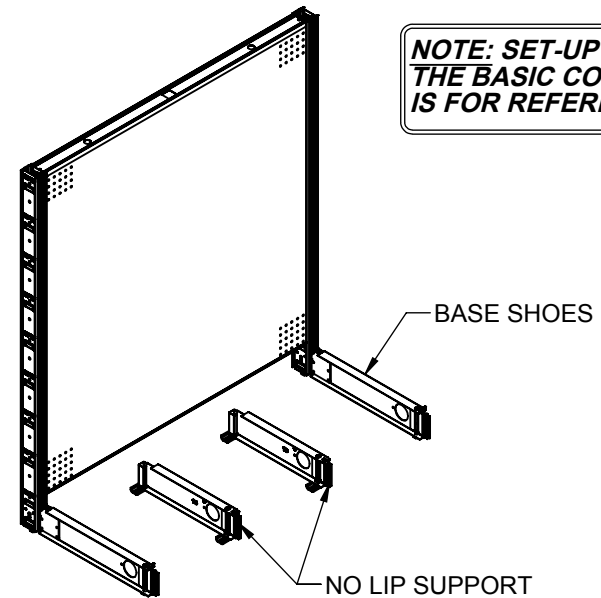
ASY FOR BLL AND BLLL

STEP 1:

IF NEEDED REMOVE BASE SHELF AND FRONT KICKPLATE. PLACE (2) BLL's OR BLLL's SPACED EVENLY INSIDE THE SECTION AS SHOWN. LEVEL THE SUPPORTS BY TURNING THE LEVELING LEGS IN THE DIRECTION NEEDED. THE TOP OF THE BLL AND BLLL SUPPORTS WILL REST SLIGHTLY BELOW THE SUPPORT HATS ON THE UNDERSIDE OF THE BASE SHELF.



BLLL SHOWN



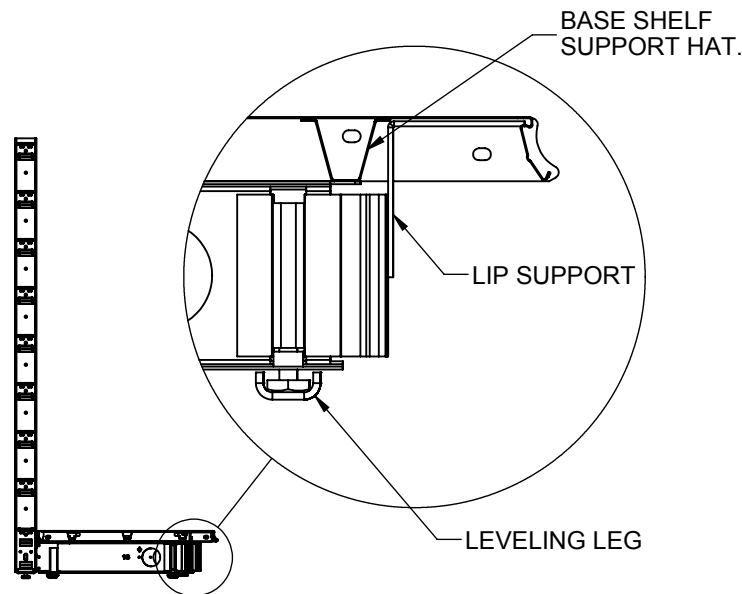
BLL SHOWN

NOTE: SET-UP SHOWN FOR THE BASIC COMPONENTS IS FOR REFERENCE ONLY.

STEP 2:

REPLACE BASE SHELF AND KICKPLATE.

NOTE FOR BLLL ONLY: AFTER REPLACING BASE SHELF BUT BEFORE REPLACING KICKPLATE, PULL THE BLLL'S FORWARD UNTIL THE LIP SUPPORT MAKES CONTACT WITH THE FRONT OF THE BASE SHELF. THE KICKPLATE CAN BE REPLACED BY SNAPPING IT INTO THE FRONT OF THE BASE SHOES.



madix
Asy-80016691

P.O. BOX 729 TERRELL, TEXAS 75160
214-515-5400 / 800-776-2349
PAGE 1 OF 1 REV. 00
03/13/09 CAB ECM # 500000006249