

## Boni™ Bottle Bay Rx Shelving



This innovative bottle bay design combines superior design and function into a premiere pharmacy shelving system. Its boltless assembly reduces installation time by 70% compared to other classic bay systems.

- Self-Locking shelves: Slide In & Lock Down
- Reversible shelves: Use With or Without integrated 5/8" front product lip
- Shelves adjustable vertically every inch
- Hardboard back panels
- Durable powder coat white finish for metal components
- Section widths: 15", 24", 30", 36" and 48"
- Standard height 84" high
- Standard depth: 7" deep

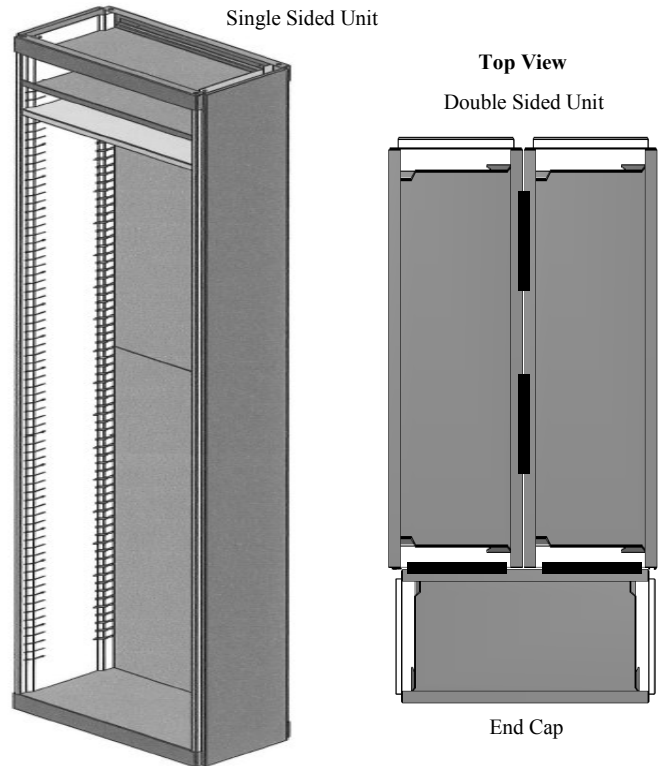
# Boni™ Bottle Bay Rx Shelving

Bottle Bay Kit	
Item	Part Number
<b>SINGLE SIDED UNITS</b>	
15" x 84" x 8"	LAD-MAS-1508 (End Cap)
24" x 84" x 8"	LAD-MAS-2408
30" x 84" x 8"	LAD-MAS-3008
36" x 84" x 8"	LAD-MAS-3608
48" x 84" x 8"	LAD-MAS-4808
<b>DOUBLE SIDED UNITS</b>	
24" x 84" x 16"	LAD-MAS-2416
30" x 84" x 16"	LAD-MAS-3016
36" x 84" x 16"	LAD-MAS-3616
48" x 84" x 16"	LAD-MAS-4816
<ul style="list-style-type: none"> <li>• Double sided bays created with two standard single sided units with drop-in connector</li> <li>• Finishing end trim ordered separately</li> <li>• Each unit includes base plus six bay shelves</li> </ul>	

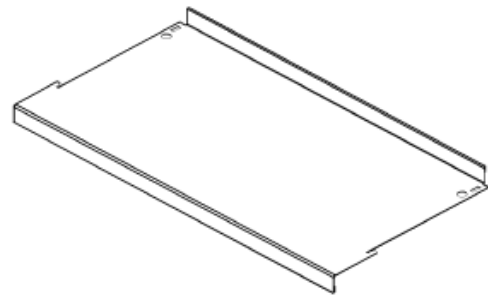
Item	Part Number
8" x 15"	121-04-1508
8" x 24"	121-04-2408
8" x 30"	121-04-3008
8" x 36"	121-04-3608
8" x 48"	121-04-4808
<ul style="list-style-type: none"> <li>• Reversible shelves: with or without product lip</li> </ul>	

Item	Part Number
24"	021-02-0024
30"	021-02-0030
36"	021-02-0036
48"	021-02-0048
<ul style="list-style-type: none"> <li>• Drop in stabilizer to span between shelving runs</li> </ul>	

## Bottle Bay Kit



## Bottle Bay Shelf



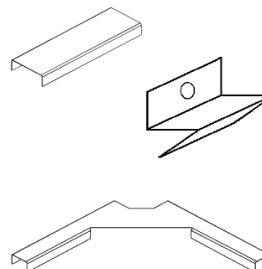
## Aisle Crossbar



# Boni™ Bottle Bay Rx Shelving

## Boltless Attachment Brackets

Item	Part Number
End Unit Bracket 5-3/4" x 3/4"	021-06-0002
End to End Unit 5-5/7" x 3"	121-06-0005
Back to Back Unit 20" x 1 1/2"	021-06-0004
Corner Bracket 8" x 8"	121-06-0003
<ul style="list-style-type: none"> <li>Drop in connector brackets, no hardware required</li> </ul>	
Wall Mount Anchor Bracket 3"	021-03-0022
<ul style="list-style-type: none"> <li>Fasteners not included with wall mount anchors</li> </ul>	



## Hardboard Back Panel

Item	Part Number
14" x 40"	121-14-1540
24" x 40"	121-14-2440
30" x 40"	121-14-3040
36" x 40"	121-14-3640
48" x 40"	121-14-4840
<ul style="list-style-type: none"> <li>Two panels required per section</li> </ul>	



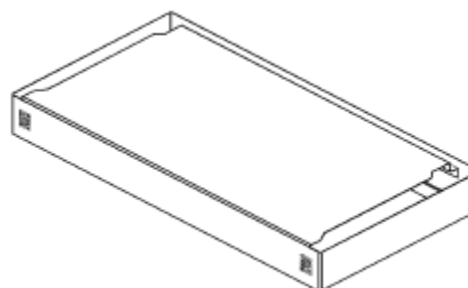
## Back Panel Joiner

Item	Part Number
14"	121-11-0014
24"	121-11-0024
30"	121-11-0030
36"	121-11-0036
48"	121-11-0048
<ul style="list-style-type: none"> <li>Plastic splicer rail to join back panels</li> </ul>	



## Top / Bottom Stabilizer

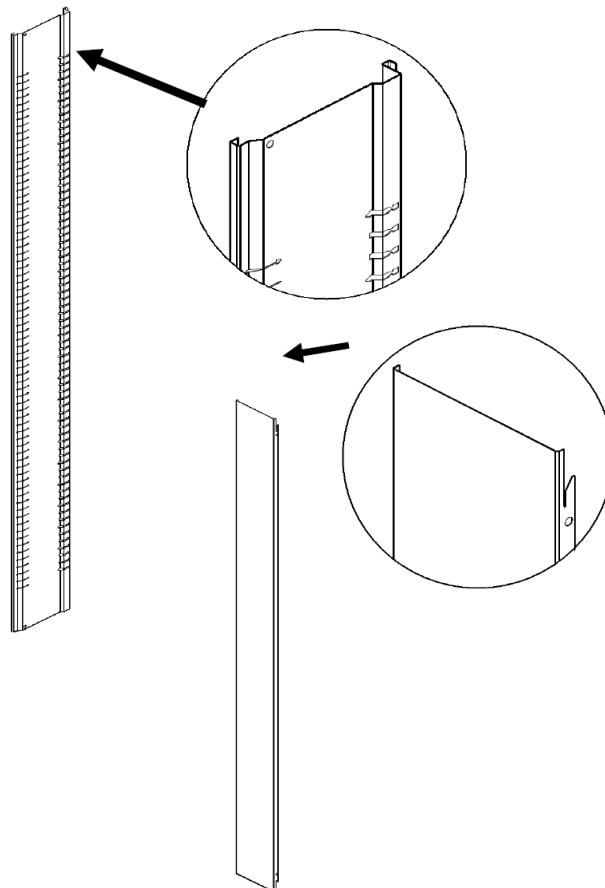
Item	Part Number
16" x 8"	121-08-1608
24" x 8"	121-08-2408
30" x 8"	121-08-3008
36" x 8"	121-08-3608
48" x 8"	121-08-4808
<ul style="list-style-type: none"> <li>One used on both top and bottom of each section</li> </ul>	



# Boni™ Bottle Bay Rx Shelving

## Upright - Upright End Trim

Upright	
Item	Part Number
8" x 84"	121-07-8408
<ul style="list-style-type: none"> <li>Shelf mark points every 3"</li> <li>Non-handed upright</li> </ul>	
Upright End Trim	
Item	Part Number
8" x 84"	121-06-8408



## Corner End Trim

Item	Part Number
Single 8" x 84" x 8"	121-05-8408
<ul style="list-style-type: none"> <li>Used to close corner angles of a single bay</li> </ul>	
Double 16" x 84" x 8"	121-05-8416
<ul style="list-style-type: none"> <li>Used to close corner angles of a double bay</li> </ul>	

