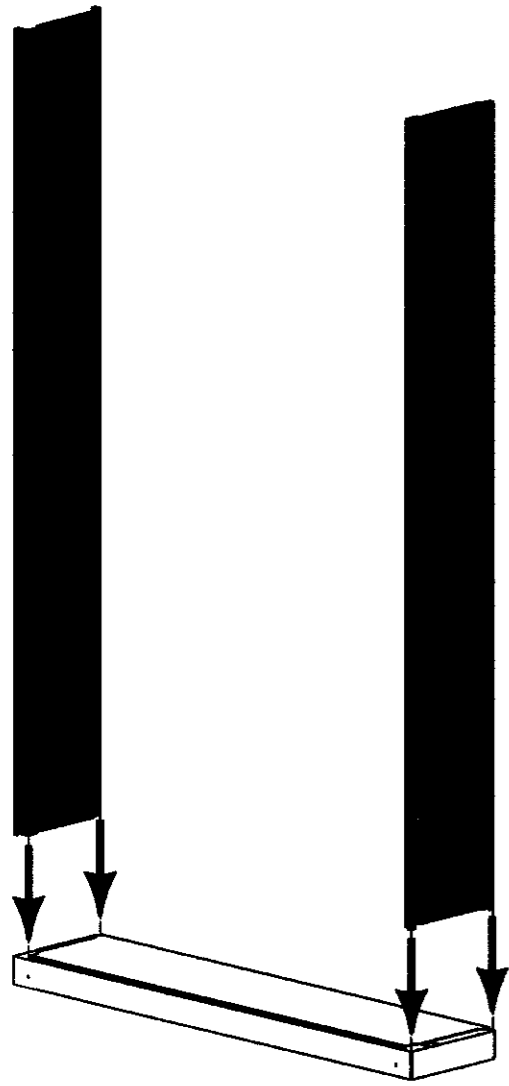
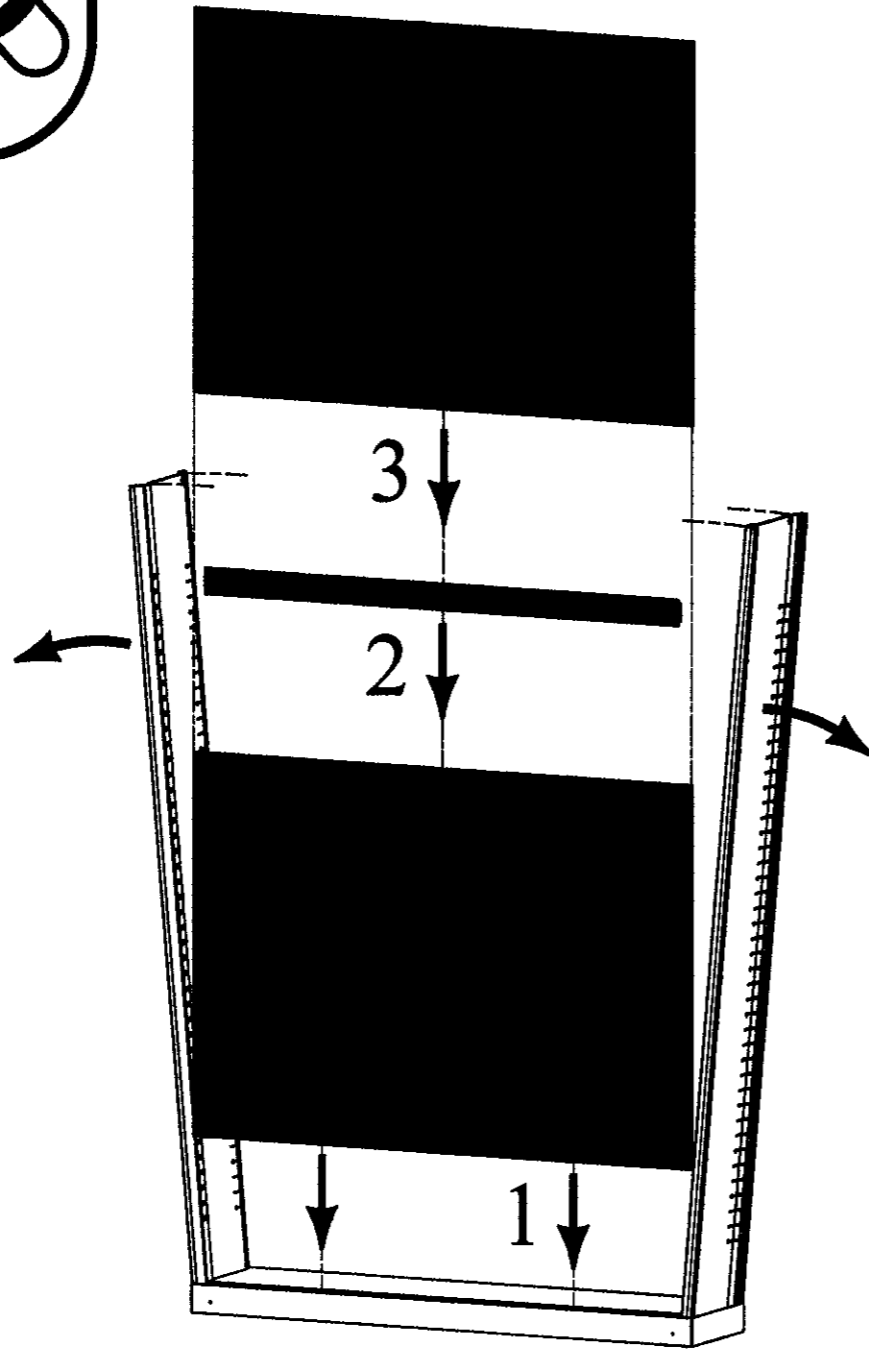


BONI

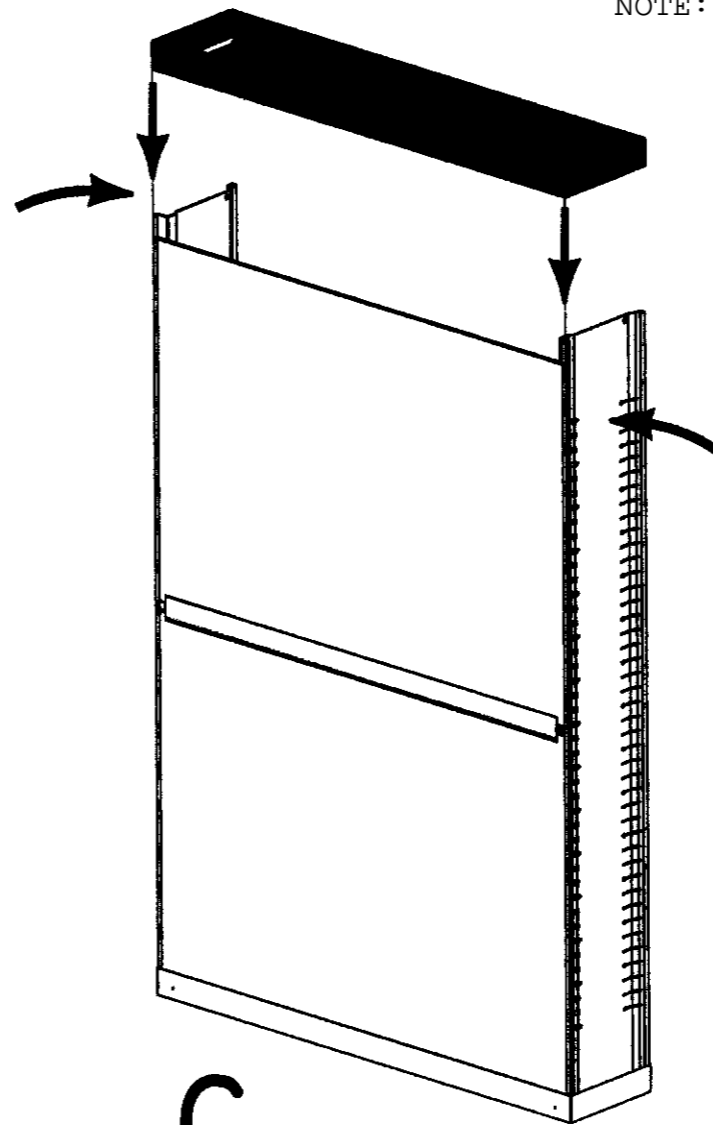
NOTE: E/F - FOR USE WHEN END PANEL FINISH CAP REQUIRED



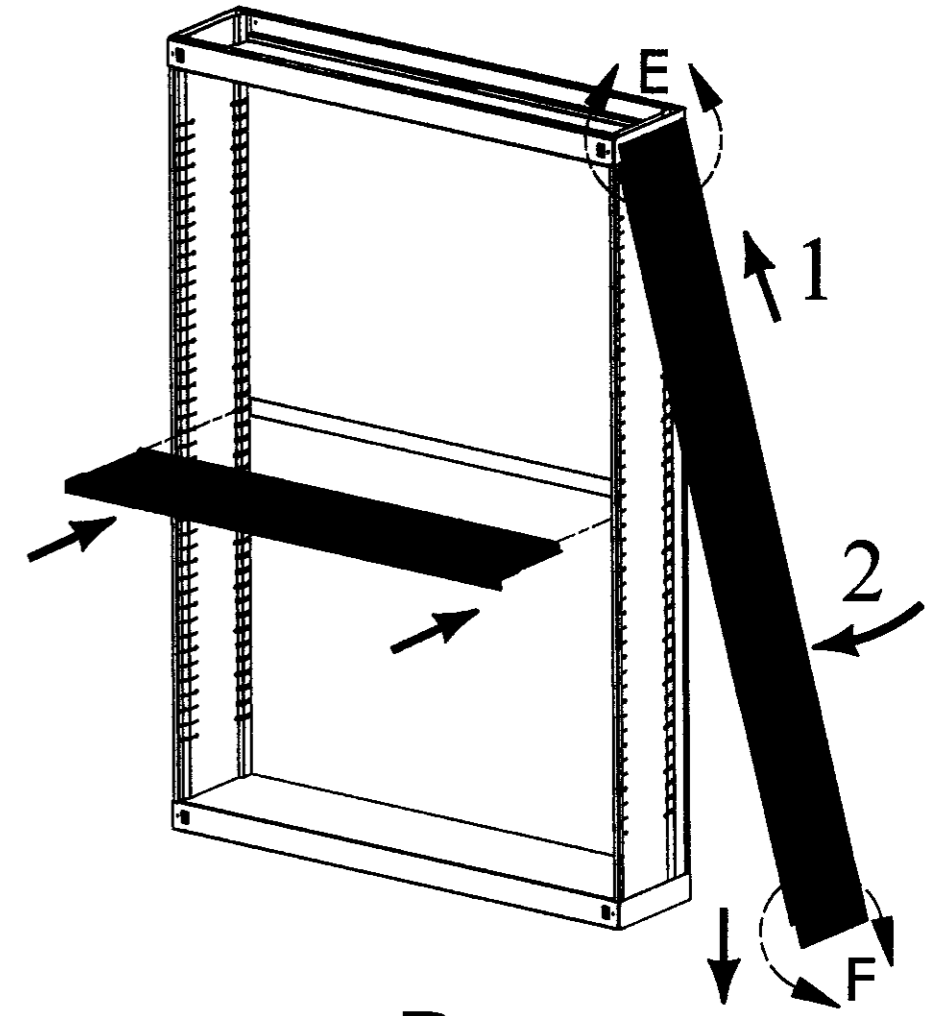
A



B



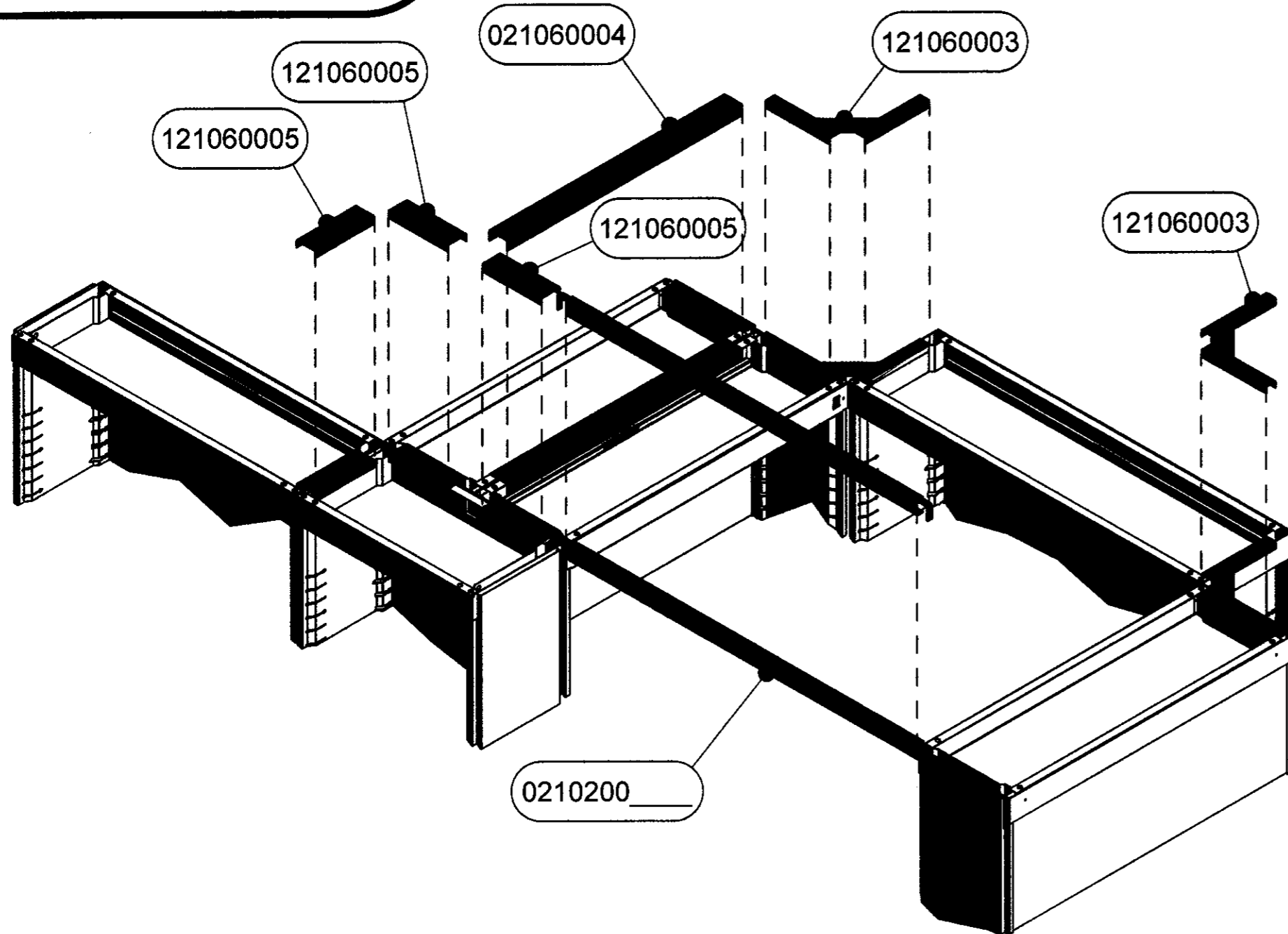
C



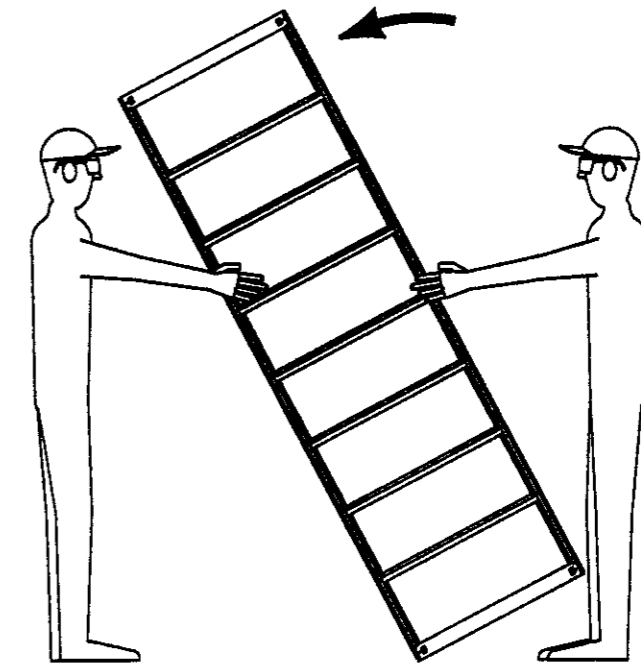
D



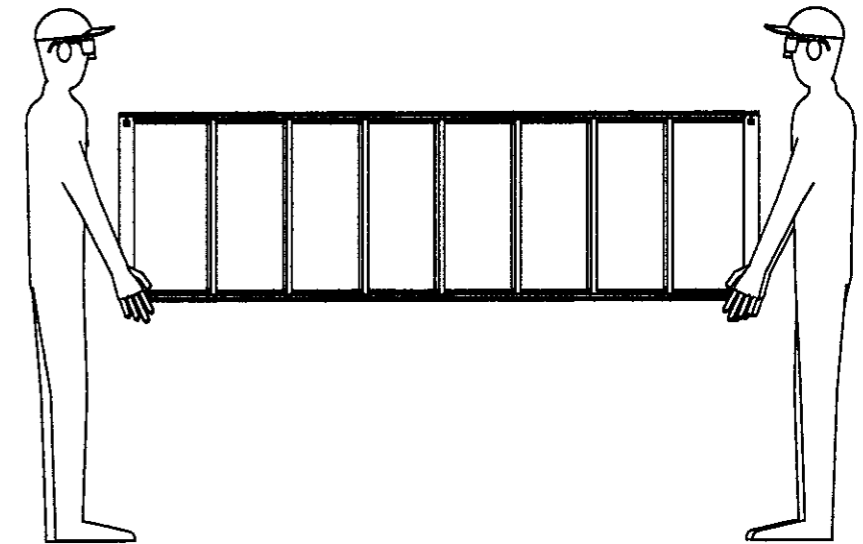
121-06-0002:5-3/4"x3/4" TOP CONNECTOR-END UNIT
121-06-0003:8"x8" - "L"- CONNECTOR, CORNER UNITS
121-06-0004:20"x1-1/2" TOP CONNECTOR-BACK TO BACK UNIT
121-06-0005:5-7/8"x3" TOP CONNECTOR-END TO END UNIT
021-03-0022:3" WALL UNIT ANCHOR BRACKET



BONI



1



2