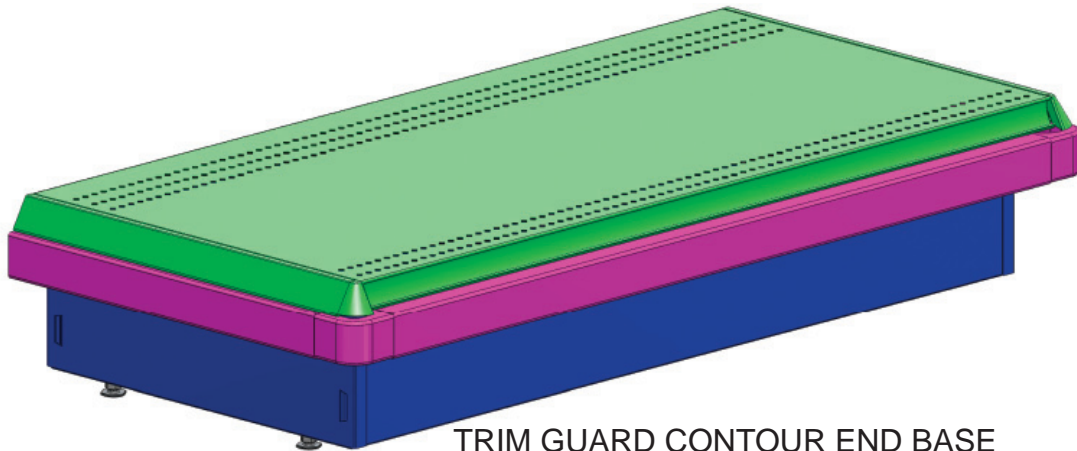


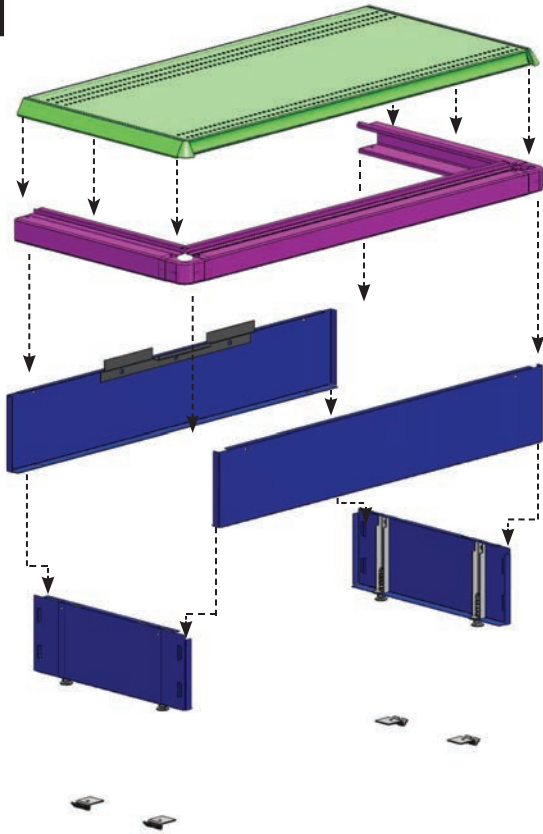
TRIM LINE CONTOUR END BASE



TRIM GUARD CONTOUR END BASE  
(Optional base nose)

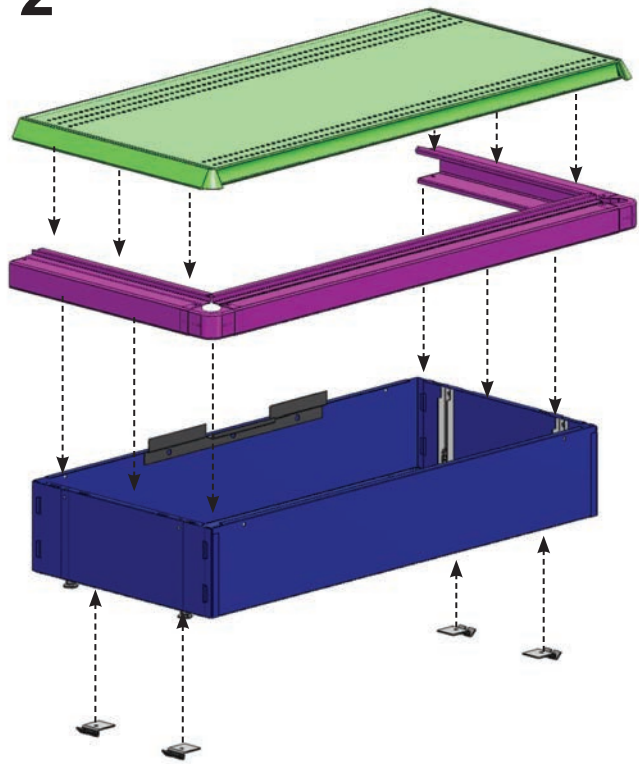
NOTE: Trim Guard and Levelers are optional features for the contour end base.  
Please See page 2 for assembly instructions on Trim Gaurd.  
Please See page 3 for assembly instructions on Levelers.

1



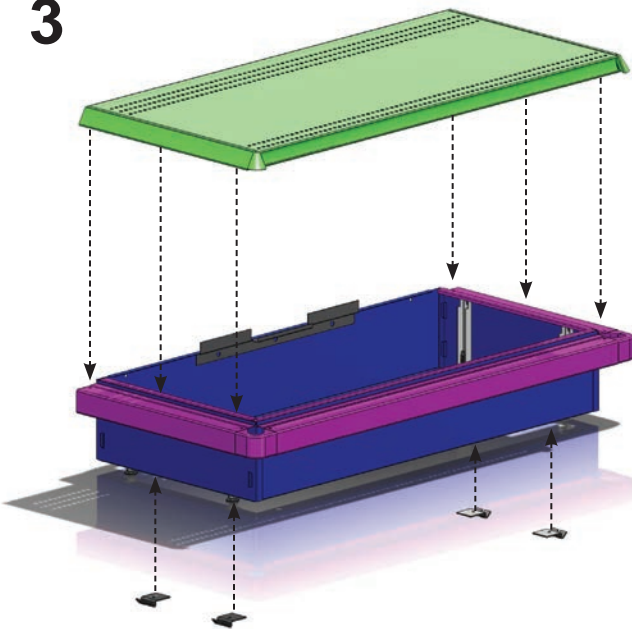
Slide front and back kick plates into the sides as pictured. Sides, front and back kicks should be flush across the top when installed.

2



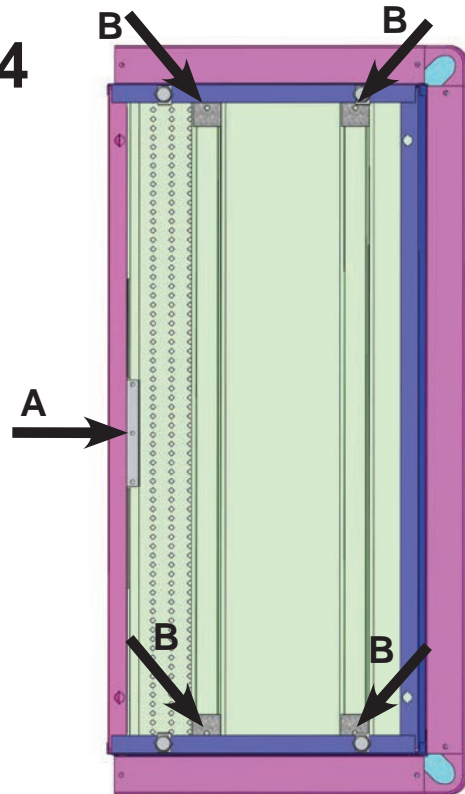
**OPTIONAL FEATURE:** Slide the assembled base nose (see page 2 for assembly) over the base assembly. Make sure all sides are seated.

3



Set the deck on the base assembly and flip the entire assembly over. Set mounting clips on hats so each clip hooks the sides (Two (2) per hat as pictured to the right).

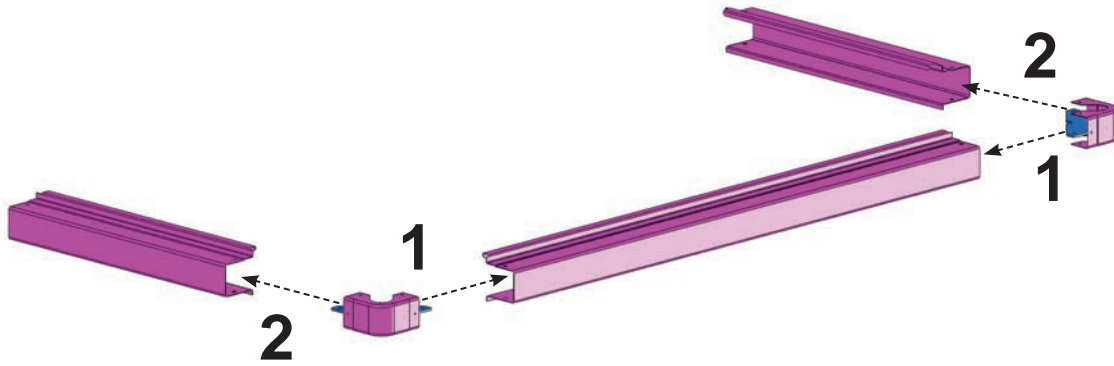
4



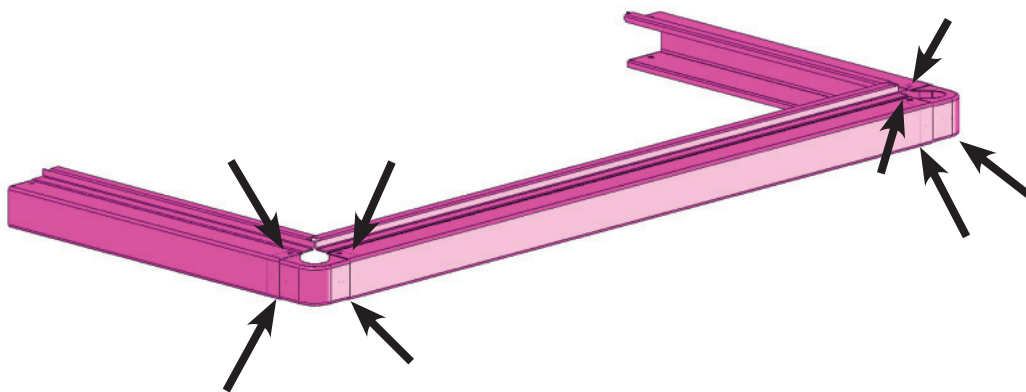
Center the Deck and the base assembly. First, fasten the deck the back kick with one (1) Tek screw. Fasten each (4) mounting clip to the deck hat with one (1) Tek screw.

2

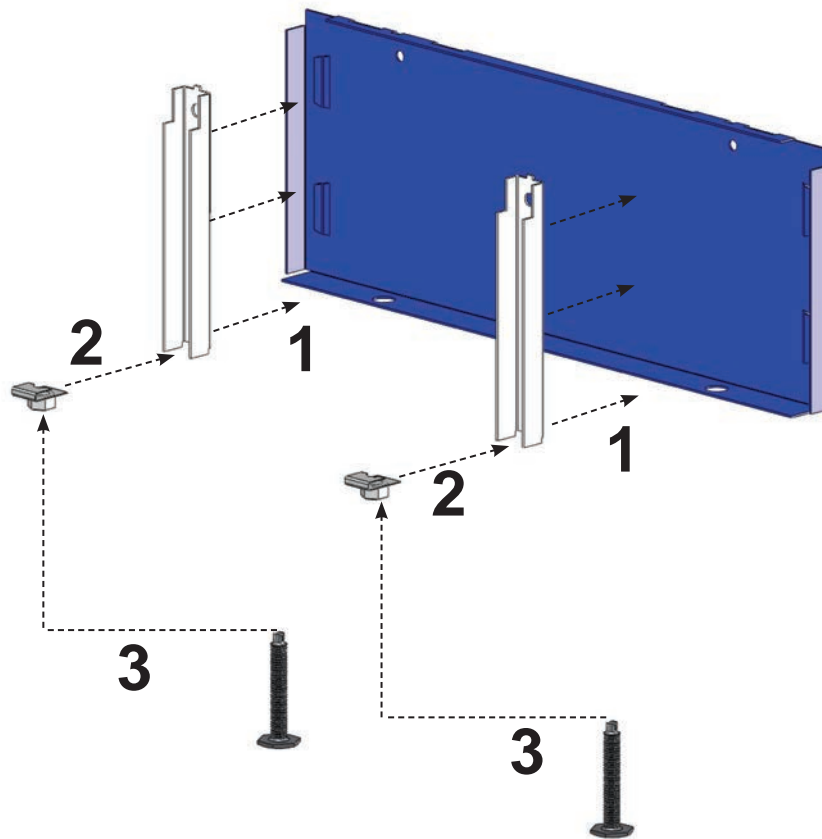
# Trim Gaurd Assembly



Slide the Trim Gaurd fronts and side together as pictured above. When seated properly pre-drilled holes will align. Fasten the front and sides to the corners with four (4) Tek screws per side, two (2) Tek screws per side and front as pictured below.



# Leveler Installation



Tilt the leveler channel into the side channels as pictured above. Slide the U-Channel over the side lip so it retains the leveler channel as pictured. Insert the leveler into the U-nut as pictured below.

