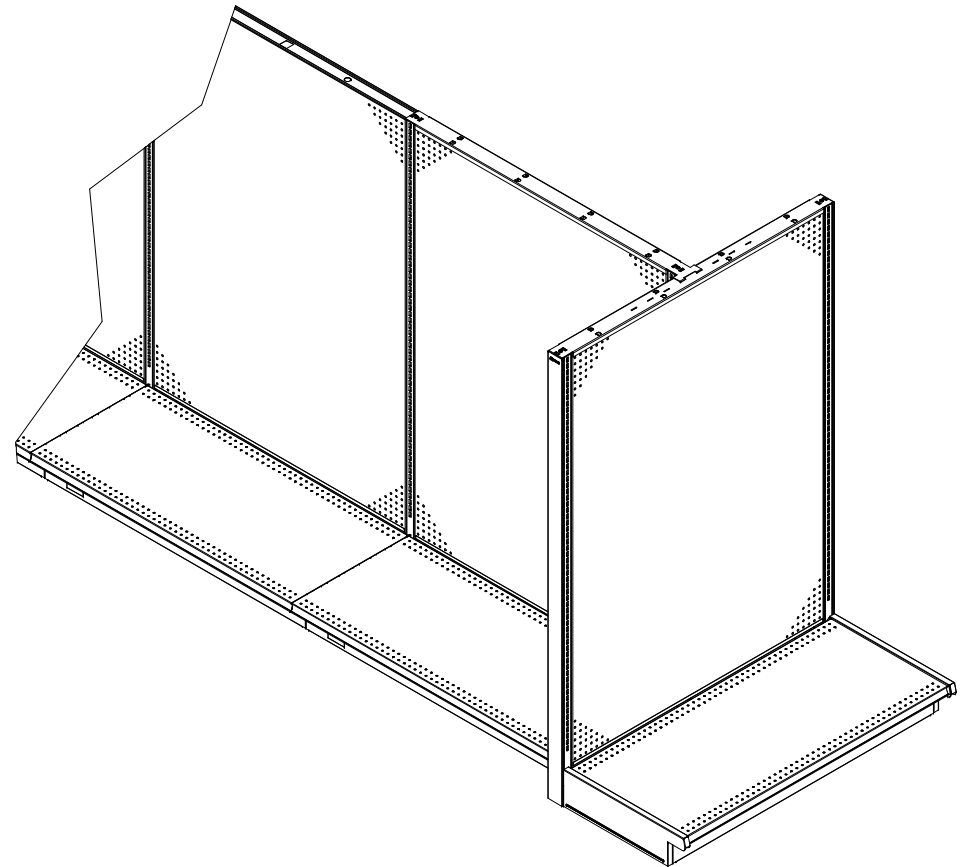


Wall End Stabilizer Installation Instruction

(SEE PAGE 9 FOR UNIT LOADING RATING)



IF BASE BRACKETS ARE NOT USED, IT MUST BE COMBINED WITH A NO BASE WALL END CONNECTOR. CONTACT YOUR LOZIER REPRESENTATIVE FOR ORDERING INFORMATION



DO NOT USE THIS WALL END STABILIZER WITH UPRITE EXTENSIONS. DOING SO WILL COMPROMISE THE STABILITY OF YOUR UNIT.

DRAWING NUMBER:
84235

READ BEFORE ASSEMBLING OR USING SHELVING

WARNING

FOR YOUR SAFETY

These instructions and safety information should be reviewed with all store personnel, and along with all other instructions for your Lozier products, must be preserved and provided to any subsequent user or purchaser of these fixtures. Additional copies available upon request.

- Install all shelving according to installation instructions and use components only as instructed. Shelving and components should only be installed or rearranged by trained personnel who have read and understand these instructions and warnings.
- Local codes and regulations concerning building, fire, sanitation, or seismic requirements may apply to some installations. It is the responsibility of the owner of these fixtures to check with local building authorities to determine what codes or regulations, if any, apply and always install the shelving in compliance with any such requirements.
- When installing or rearranging shelving, **never** move assembled shelving.
- Do **not** combine Lozier products with non-Lozier products.
- **Never** use damaged parts. Damaged parts may cause shelving to be structurally unsafe or create exposure to sharp or pointed edges. If parts were damaged in shipment, do not use and contact your Lozier Customer Service Representative. If parts are damaged after shipment, discontinue use immediately and order replacement parts.
- Do **not** exceed Allowable Load Limits (see sheets 1A and 1B of installation instruction #01-13 or the Lozier Catalog). Make certain you calculate the unbalanced load as shown on 1B of installation instruction #01-13. Exceeding allowable loads may cause the shelving to tip over or collapse.
- Base fronts, either open or closed, are required on 06 Base shelving for structural integrity and stability. Use of 06 Base shelving without base fronts may cause the shelving to collapse. **Caution:** Use of any shelving without Closed Base Fronts (CBF) may allow material handling or floor cleaning equipment to collide with the Base Brackets causing the shelving to be knocked out of alignment or collapse.
- All components which require trim such as Uprites (U) and Base Brackets (BB) must be installed with trim pieces. Untrimmed parts may have unfinished edges that must be covered by trim to avoid exposure to store personnel or customers.
- Do **not** hang Peg Hooks, Shelves or other accessories on the back side of a Wall Section or any section without Base Brackets. Wall Sections do not have Base Brackets (BB) on the back side to provide support, and use of the back side to display merchandise may cause the section to tip over.
- To avoid store personnel or customers accidentally coming in contact with display fixtures, **never** allow any Shelf, Peg Hook, or other display to protrude into an aisle or to extend beyond the edge of the Base Deck or End Deck (if used).
- All End Merchandising Panels intended for use with Shelves or accessories must include End Decks or other floor display to direct people away from the shelves or displays above the End Deck or other floor display.
- When using End Merchandising Panels on a fixture, where the first shelving section behind the EMP is not equipped with shelves that engage into the uprite slots, top rail hold down clips with uprite inserts (Lozier P/N HMA4381) must be installed. Failure to do this could allow the top rail to become disengaged, and the fixture to fall over, causing product damage or personal injury.
- Do **not** lean tall or heavy items against shelving unless shelving is anchored to a suitable building wall, to the floor, or is otherwise braced to prevent overturning. The weight and force of leaning items on unanchored or unbraced shelving may cause the shelving to overturn or collapse.
- Shelving (or racks) that are leaning or bending when loaded may indicate a dangerous overload or impending collapse. Loads should be immediately reduced, and the cause for this condition should be corrected, before reloading. Refer to appropriate installation instructions to assure shelving (or racks) are properly assembled, replace any damaged components or parts, and do not exceed recommended maximum loads or engage in any other unsafe use of the shelving (racks).
- Provide safe access to all levels of storage & display shelving in accordance with applicable OSHA regulations. Never allow anyone to climb, walk, or stand on shelving. These shelves were not designed to withstand the extra weight and impact of climbing, walking and standing, and the added weight and impact of such actions may cause the fixture to collapse.
- Never alter, modify or otherwise structurally change the shelving or any of its component parts. Modification or alteration may cause the shelving or component part to become structurally unsafe resulting in tipping, collapse or other failure of the fixture.

IMPORTANT! Failure to follow these instructions and warnings may result in overturning or collapse of the fixture, resulting in personal injury to your employees or customers, damage to property, or damage to the fixture itself.

INSTALLATION INSTRUCTIONS

WALL END STABILIZER

- STEP 1: Assemble the basic shelving components per Display Shelving Installation Instruction 01-13 provided, but DO NOT install the top rail in the last section of the gondola where the wall end display will be attached. Remove the top rail in this section if the gondola is already assembled (see FIGURE 1).
- STEP 2: Assemble the components for the wall end display unit per Display Shelving Installation Instruction 01-13, but DO NOT install the standard top rail (see FIGURE 1).

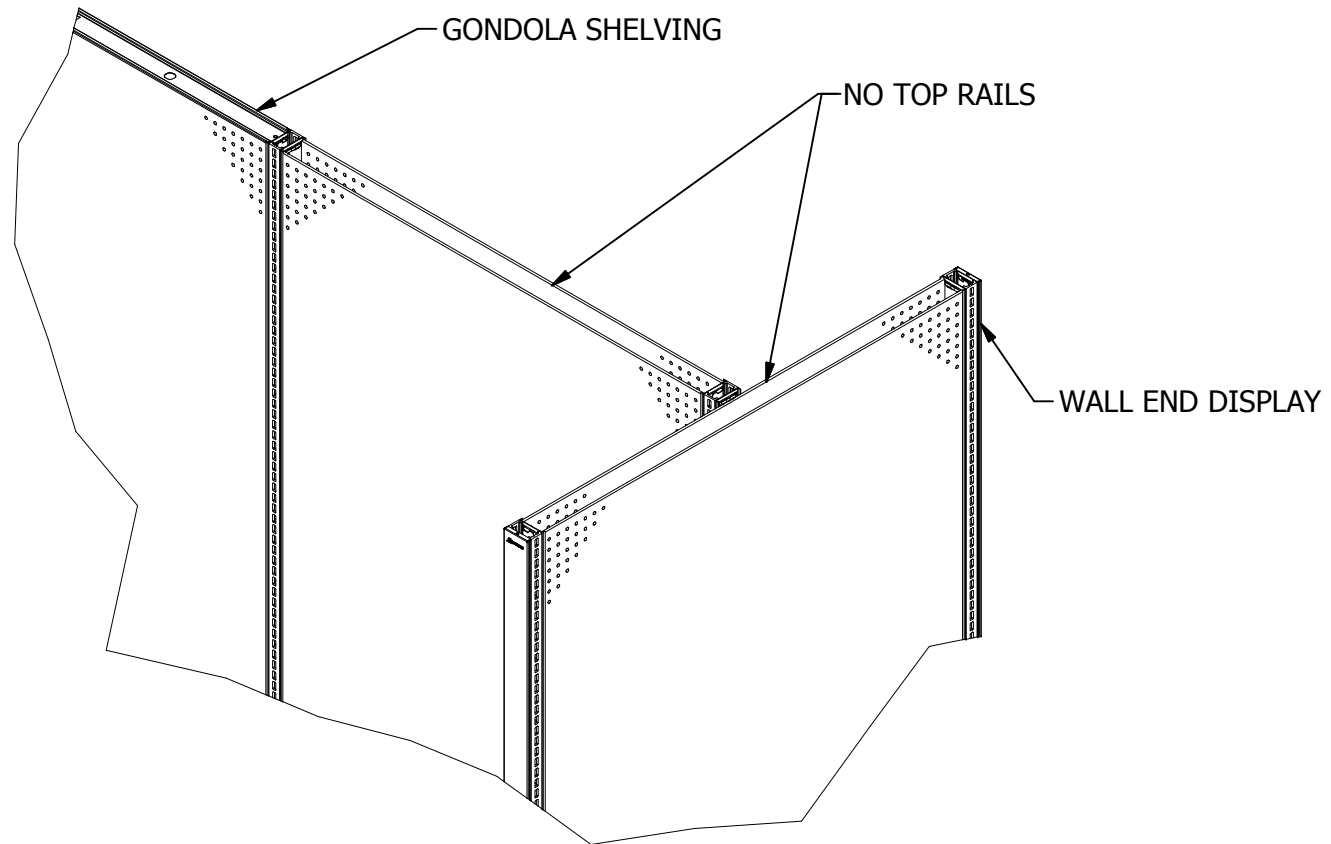
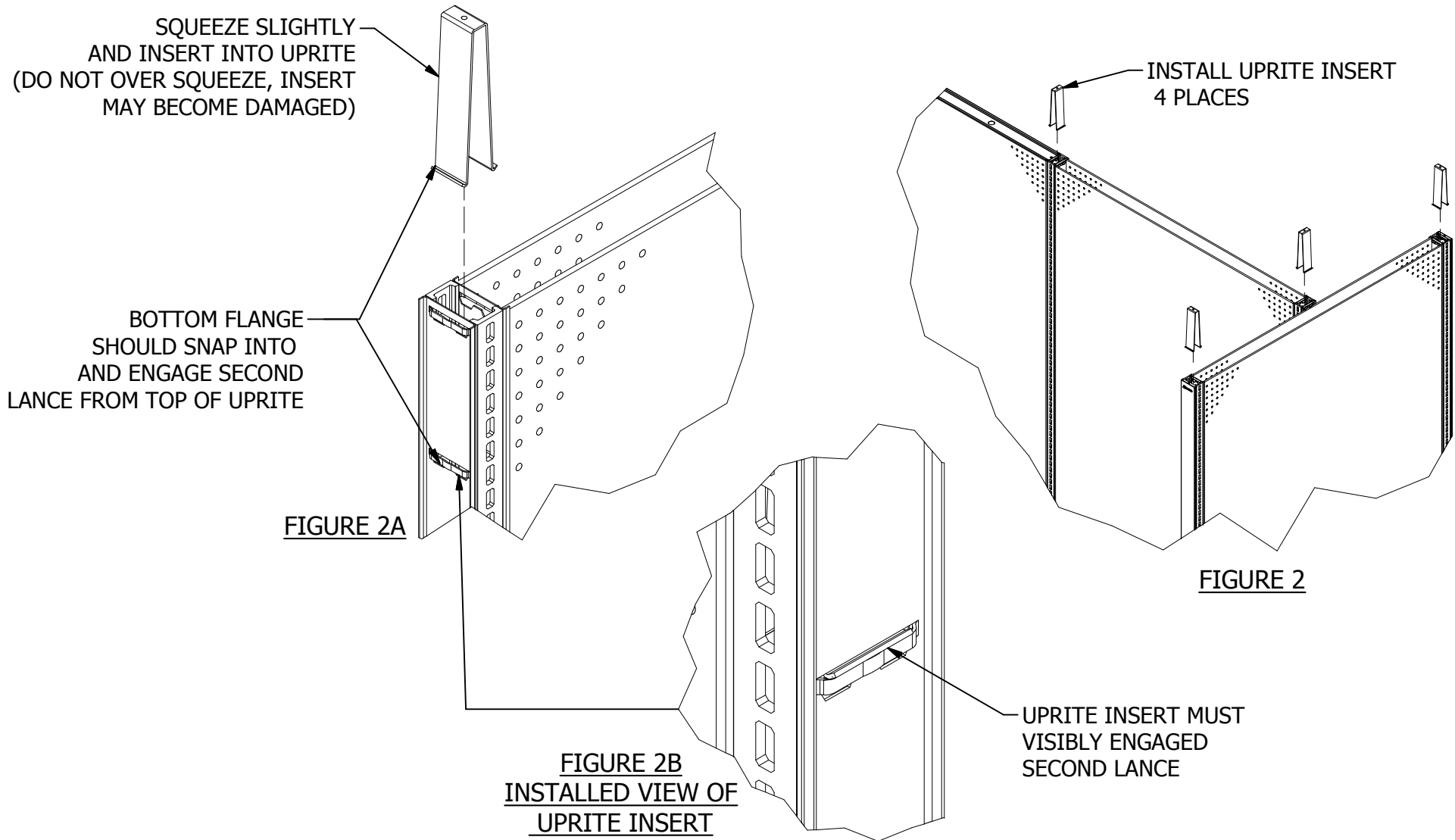


FIGURE 1

INSTALLATION INSTRUCTIONS

WALL END STABILIZER

STEP 3: Carefully install the uprite inserts into the uprites until the tops of inserts and the uprites are flush (see FIGURE 2). The uprite inserts should snap into place and engage the second lance from the top of the uprites (see FIGURE 2A).



INSTALLATION INSTRUCTIONS

WALL END STABILIZER

STEP 4: Install the wall end display top rail over the top of the uprights, inserts, and backs. Secure in place with 1/4-20 x 3/4 machine screws, HAND TIGHTEN WITH PHILLIPS SCREW DRIVER. (See FIGURE 3.)

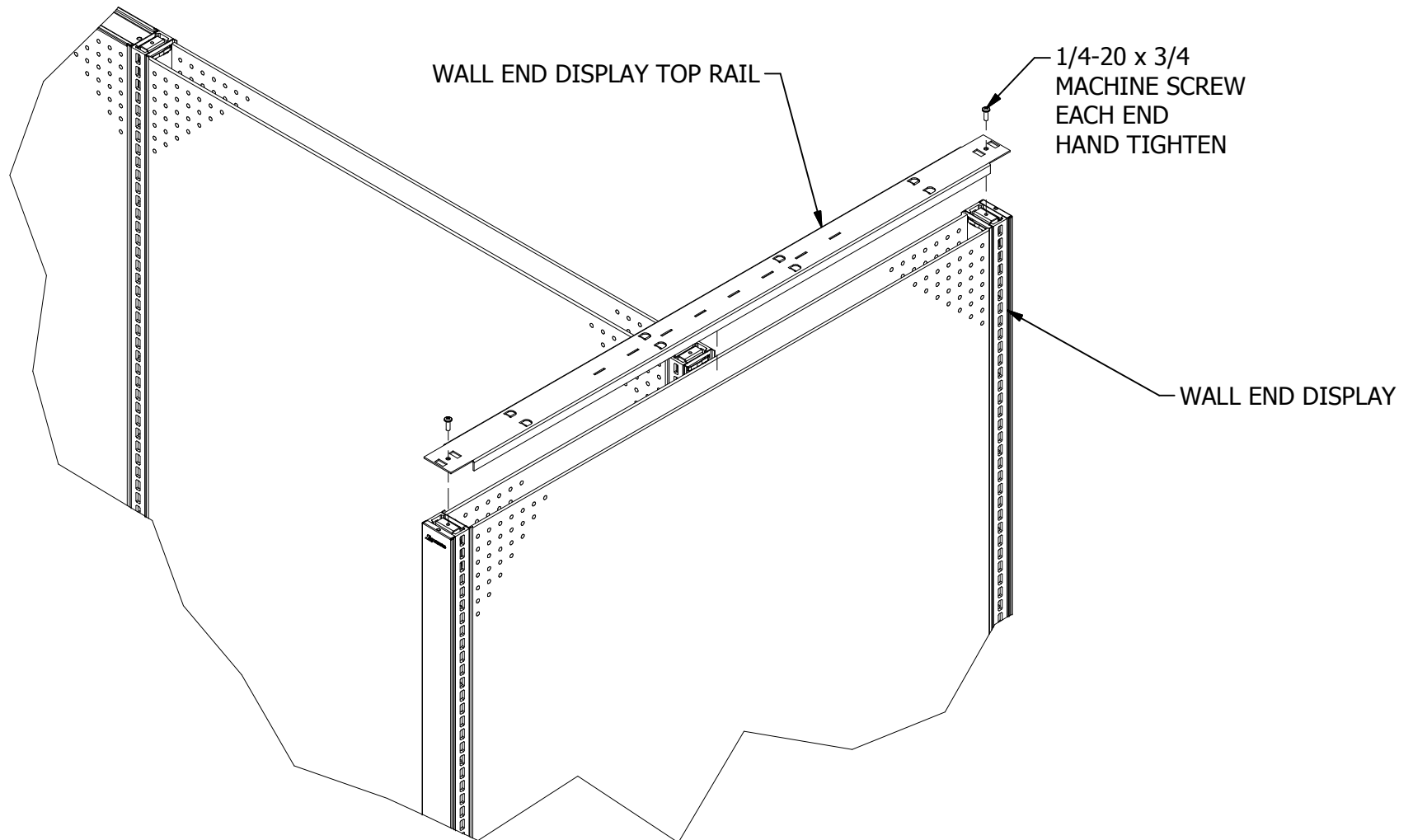


FIGURE 3

INSTALLATION INSTRUCTIONS

WALL END STABILIZER

STEP 5: Position the wall end display unit in the desired location. The end uprite on the gondola section must be centered between the appropriate slots along the top of the end display top rail. If required, adjust the height of the wall end display unit, with the leveling legs, so the top of the top rail is flush with the top of the end uprite of the gondola (see FIGURE 4).

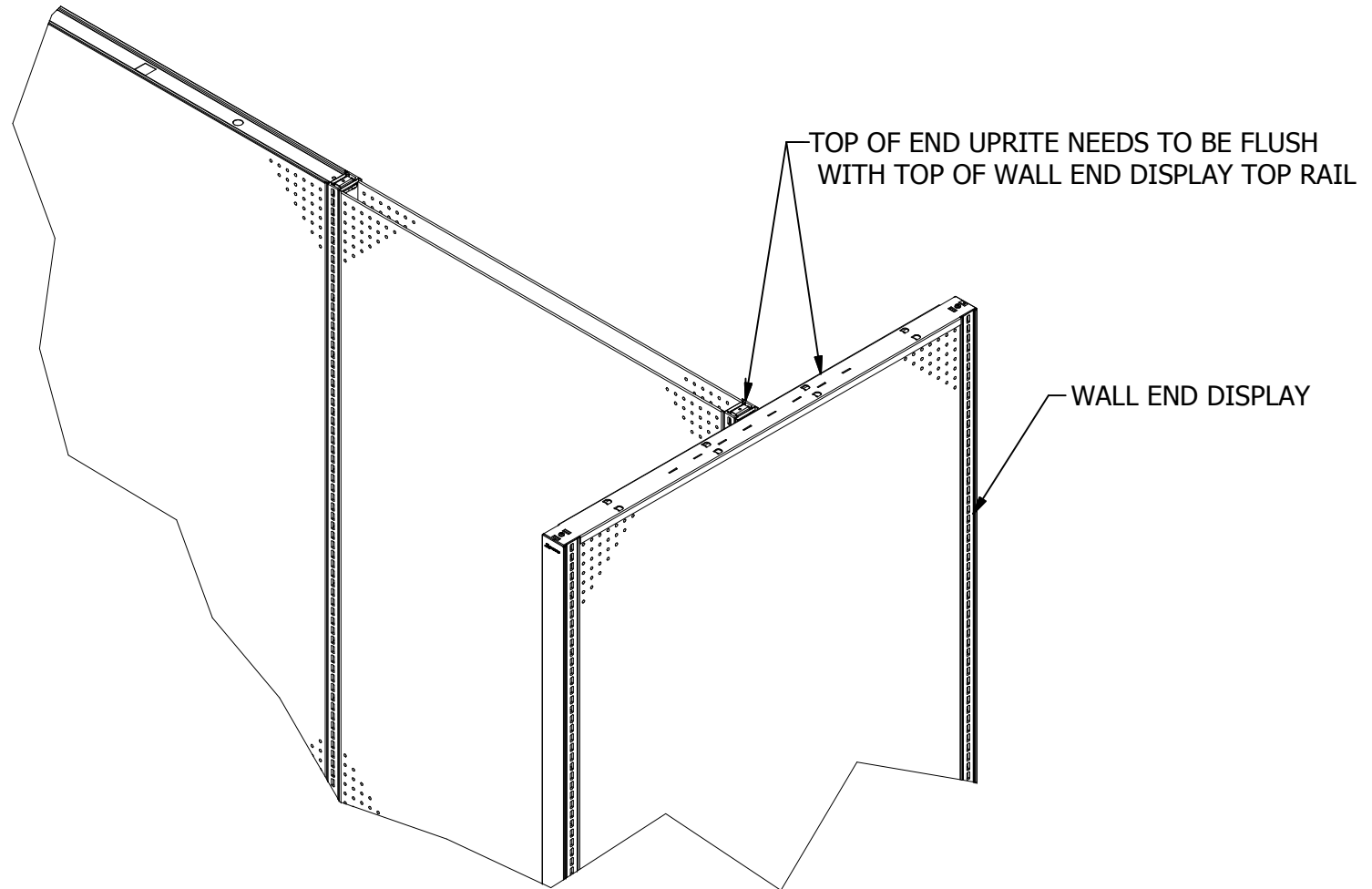
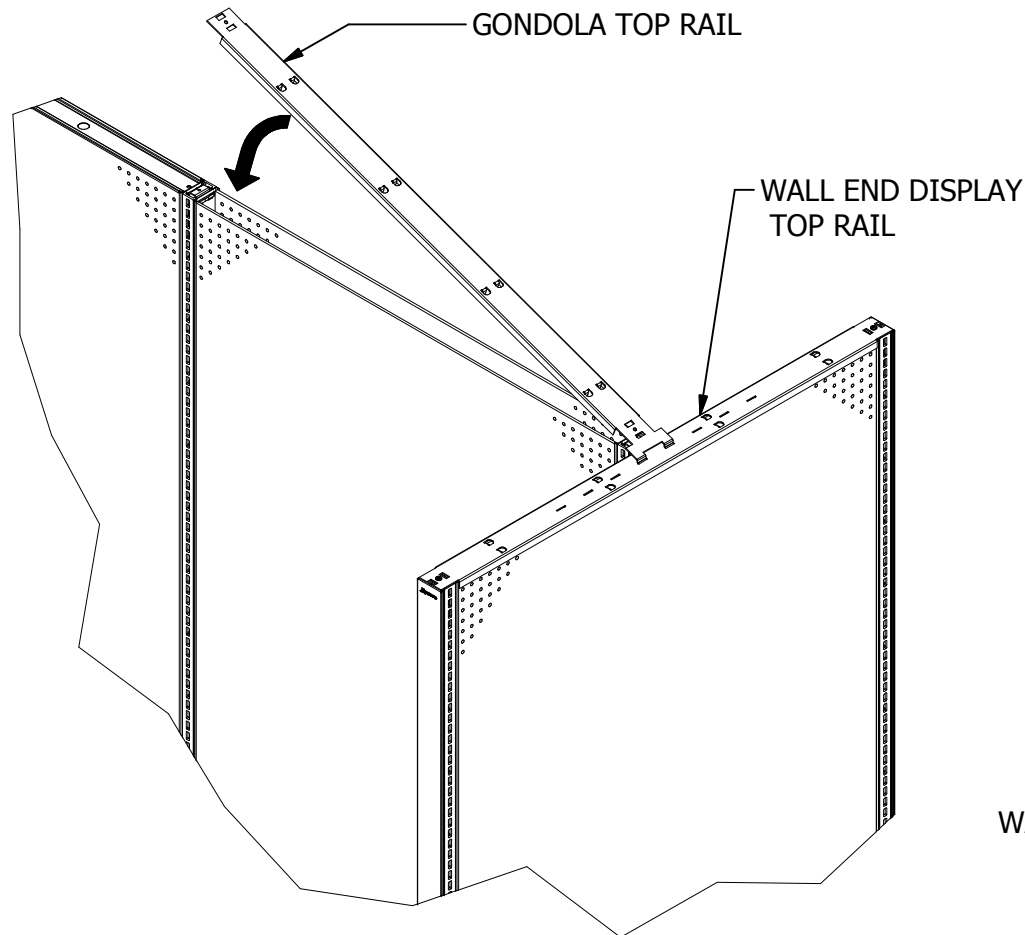


FIGURE 4

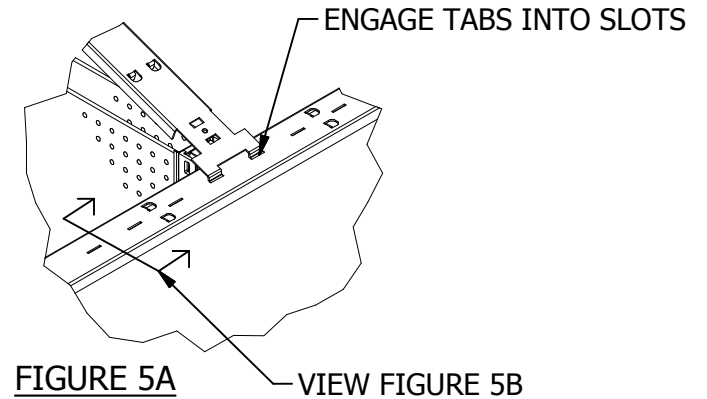
INSTALLATION INSTRUCTIONS

WALL END STABILIZER

STEP 6: Install the gondola top rail by inserting the tabs on the end into the slots on the wall end display top rail. Rotate the gondola top rail down on top of the uprights. Note: Make sure the tabs are fully seated in the slots (see FIGURE 5A AND FIGURE 5B).



DETAIL R
SCALE 1/15



INSTALLED VIEW OF TABS
MUST BE FULLY ENGAGED

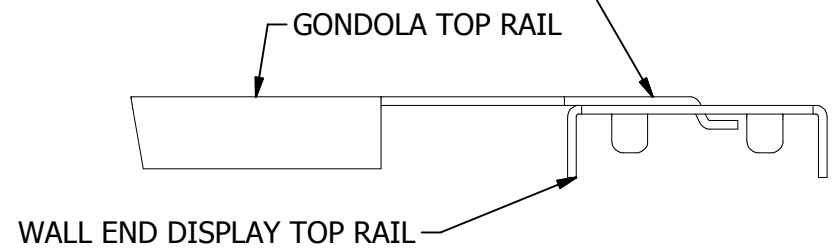


FIGURE 5B
CUTAWAY SHOWING INSTALLED TABS

INSTALLATION INSTRUCTIONS

WALL END STABILIZER

STEP 7: Secure gondola top rail in place with (2) 1/4-20 x 3/4 machine screws, HAND TIGHTEN WITH PHILLIPS SCREW DRIVER.

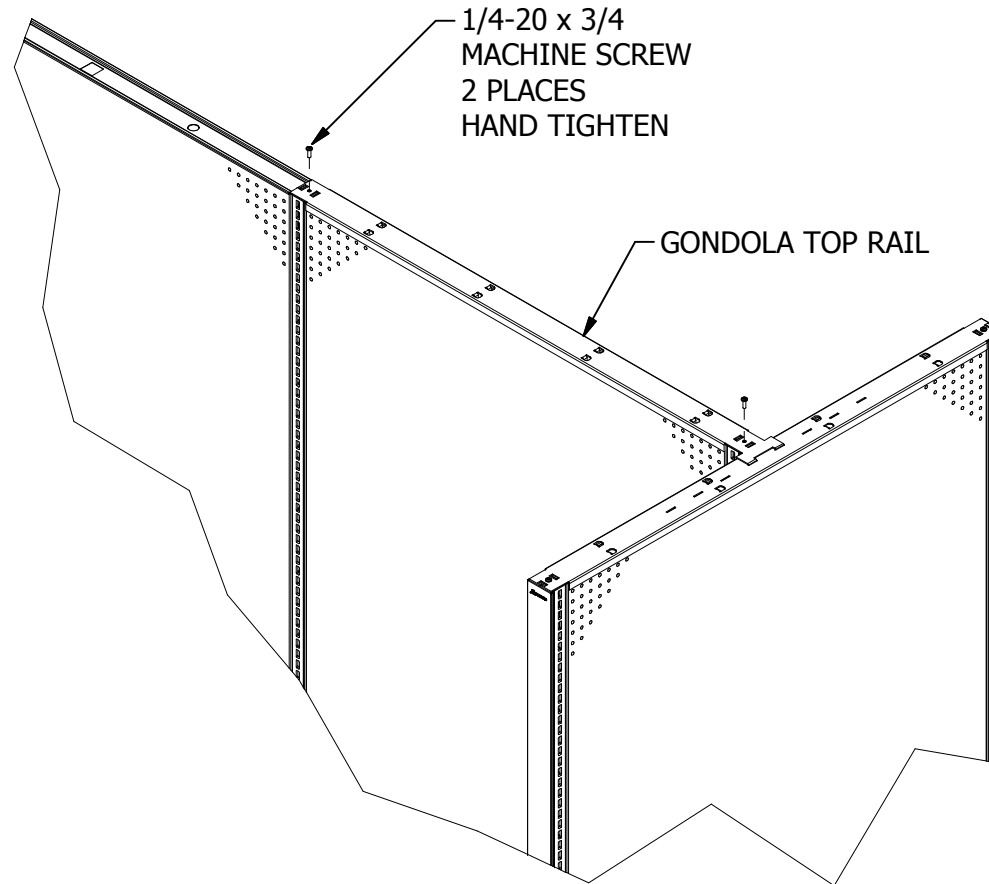
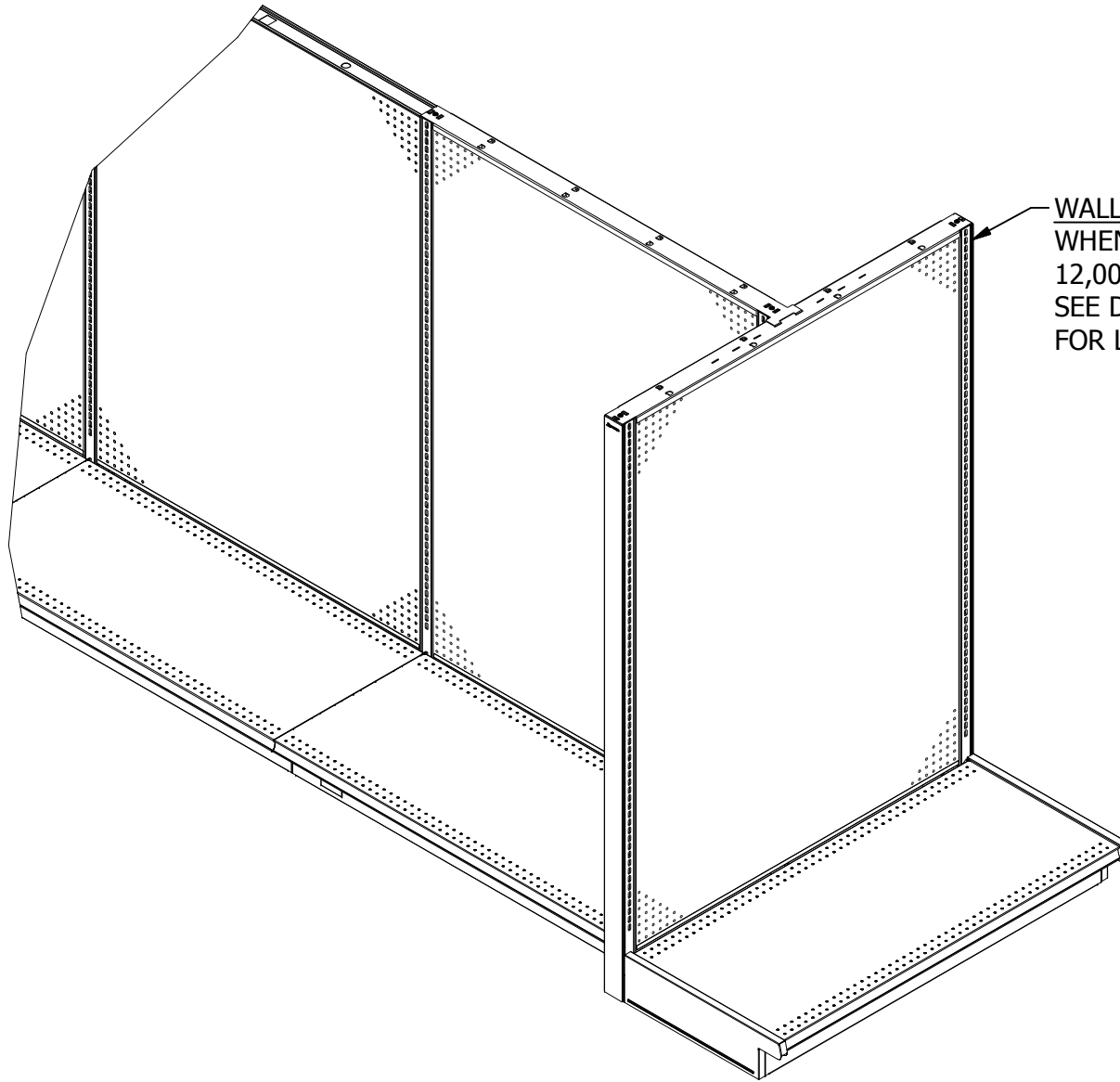


FIGURE 6

INSTALLATION INSTRUCTIONS

WALL END STABILIZER



WALL END DISPLAY
WHEN USING WALL END STABILIZER
12,000 IN-LBS MAX LOAD ON WALL END
SEE DISPLAY SHELVING II. 01-13
FOR LOAD CALCULATIONS