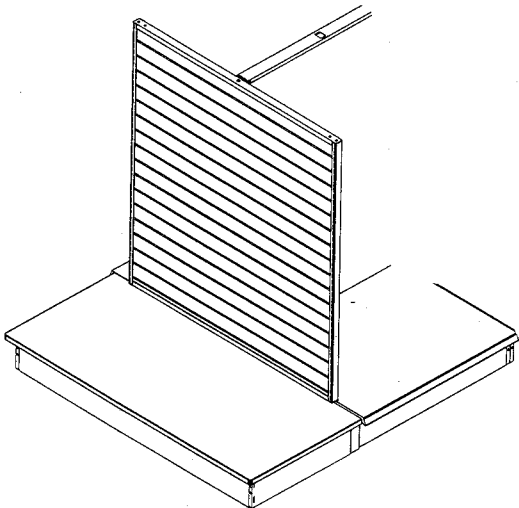


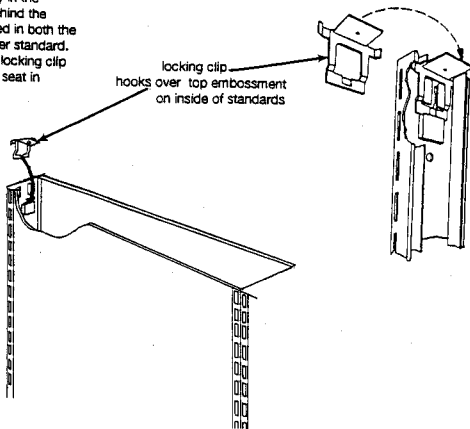
FEATURE END- CONTOUR END BASE

ASSEMBLY INSTRUCTIONS



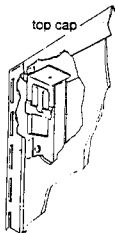
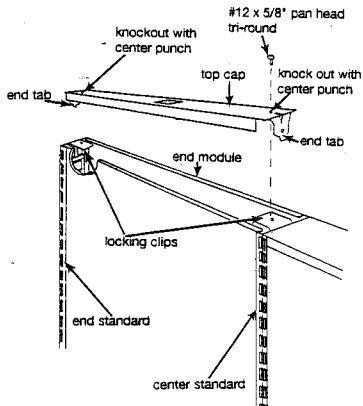
FEATURE END ANCHORING

Locking clips are used only in the module located directly behind the feature end and are installed in both the end standard and the center standard. On inside of standard, slip locking clip over top embossment and seat in second embossment.



INSTALLATION OF TOP CAP:

Remove knockouts from both ends of the top cap for the module directly behind the feature end. Use a center punch and hammer. Lower top cap into gondola using a wooden block and hammer or rubber mallet. Tap both ends of top cap down into locked position. Secure top cap only at end furthest away from feature end frame with #12 x 5/8" panhead tri-round.



FEATURE END ASSEMBLY

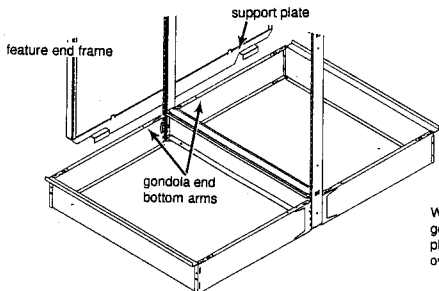
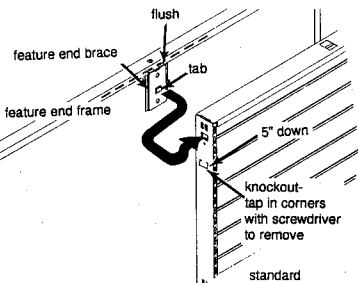
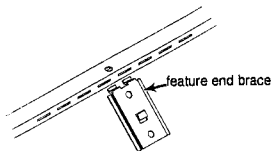
Hook feature end brace into the two center slots on back of feature end frame.

If off center hook into appropriate slots.

With feature end brace attached to feature end, hook brace into gondola.

If feature end is the same height as the gondola, The tab on the feature end brace hooks into the second embossment down on gondola end standard with bottom of feature end resting on support plate.

If feature end has been ordered 5" shorter than gondola height, push knockout out of standard and proceed as instructed above.

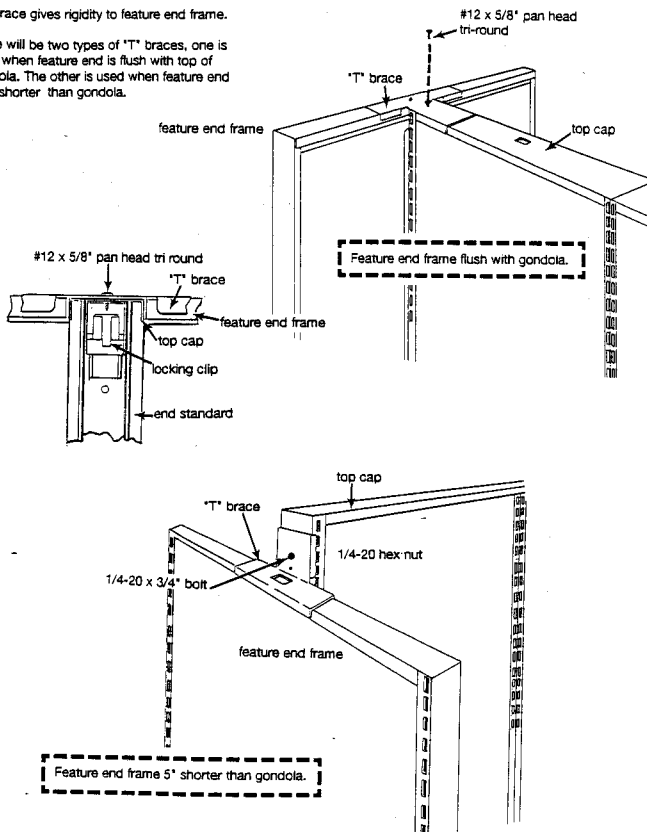


While hooking the feature end brace into the gondola end standard, hook the support plate on the bottom of the feature end over the flanges on the end bottom arms.

INSTALLATION OF 'T' BRACE:

'T' brace gives rigidity to feature end frame.

There will be two types of 'T' braces, one is used when feature end is flush with top of gondola. The other is used when feature end is 5" shorter than gondola.



CONTOUR END BASE ASSEMBLY

The feature end frame and support plate must be attached before anchoring the contour end base to the gondola run.

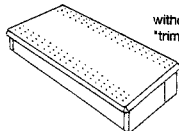
Two thumb screws are supplied and are to be removed from the inside of the contour end base before assembly to the gondola run.

Place the contour end base against the gondola end bottom arms.

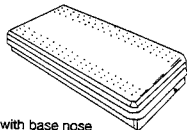
Remove the base decks from the first module of the gondola run.

Insert the thumb screws through the predrilled holes in the gondola bottom arms. Tighten into the tinnerman nuts of the contour end base rear support.

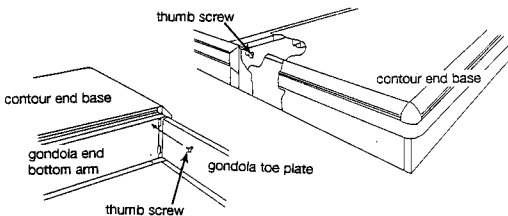
If leveling is necessary on uneven flooring, use the same procedures on the contour end base as required for gondola leveling.



without base nose
trim line base



with base nose
trim gaurd base



STANDARD COVER

If your shelving system has a feature end frame and no contour end base, a standard cover may be used.



standard cover (remove backing from double-sided transfer tape.)

