

ASY FOR HALF UPRIGHTS



***IT IS CRITICAL TO READ AND UNDERSTAND THIS SHEET
BEFORE ATTEMPTING ANY INSTALLATIONS OF FIXTURES
!!!DO NOT THROW THIS SHEET AWAY!!!!***

THE FOLLOWING ASSEMBLY INSTRUCTIONS ARE MEANT TO BE A GUIDELINE THAT ILLUSTRATES TYPICAL ANCHORING SITUATIONS AND DOES NOT CONSTITUTE ANY ENDORSEMENT BY MADIX INC OF ANY SPECIFIC ANCHORING APPLICATION. PURCHASER OF THESE FIXTURES ARE RESPONSIBLE FOR DETERMINING SUITABILITY OF ANY SPECIFIC WALL OR STRUCTURE TO WHICH SHELVING IS ANCHORED, AND FOR THE SELECTION OF AND/OR PROPER INSTALLATION OF THE ANCHORING FASTENERS, HARDWARE AND MATERIALS, AND FOR THE WORKMANSHIP OF THOSE PERFORMING THE INSTALLATION OF THE FIXTURES. EACH APPLICATION WILL VARY DUE TO BUILDING, STRUCTURE AND MATERIALS USED FOR ANCHORING. A PROFESSIONAL ENGINEER'S ADVICE SHOULD ALWAYS BE SOUGHT FOR EACH ANCHORED INSTALLATION

ANCHORING SITUATIONS OTHER THAN THOSE SHOWN IN THIS ASY MAY BE ENCOUNTERED. AS A GUIDELINE, EACH ANCHORING LOCATION SHOWN MUST PROVIDE A MINIMUM OF 450 POUNDS OF PULL-OUT RESISTANCE AND BE LOCATED AS SHOWN. EXTREME CARE MUST BE TAKEN TO INSURE THAT ALL WALLS OR OTHER STRUCTURES IS SOLID AND SUITABLE FOR ANCHORING AND WILL SUPPORT LOAD BEING ANCHORED TO IT.

DO NOT USE PLASTIC OR FIBER ANCHORS, CONCRETE NAILS, OR REGULAR NAILS



WARNING: THE LOWEST SHELF MUST BE AT OR BELOW 27" ABOVE THE FINISHED FLOOR OR A CANE DETECTABLE BARRIER MUST BE USED BELOW THE SHELVES TO KEEP INDIVIDUALS FROM CONTACTING SHELVES THAT PROTRUDE INTO AISLES

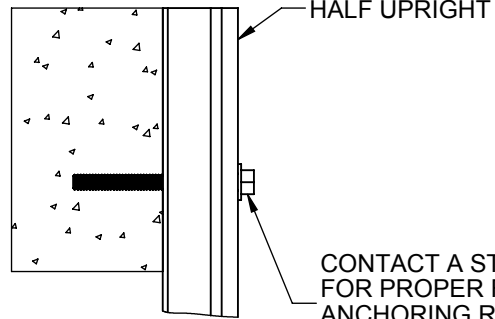
madix
ASY-80029672

P.O. BOX 729 TERRELL, TEXAS 75160
214-515-5400 / 800-776-2349

PAGE 1 OF 3 REV. 00

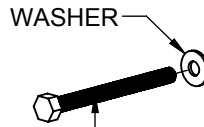
06/07/12 CAB ECM # 500000011318

ASY FOR HALF UPRIGHTS

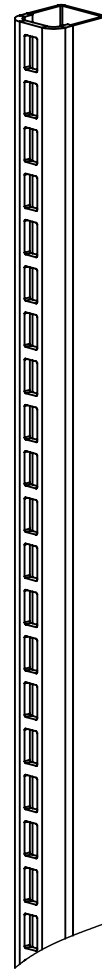


HALF UPRIGHT MOUNTED DIRECTLY TO WALL/STRUCTURE

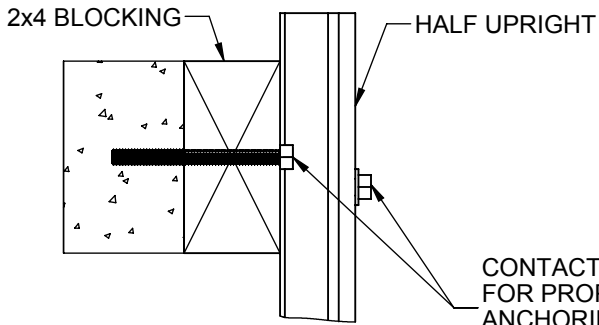
CONTACT A STRUCTURAL ENGINEER FOR PROPER FASTENERS AND ANCHORING REQUIREMENTS FOR YOUR SPECIFIC APPLICATION



12,000 TYP.

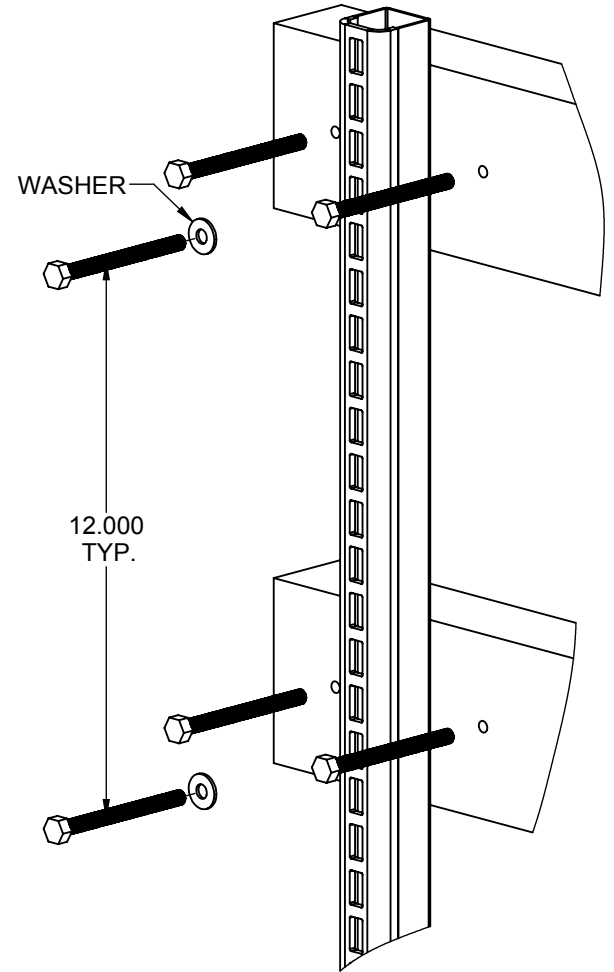


HALF UPRIGHTS MOUNTED DIRECTLY TO WALL/STRUCTURE

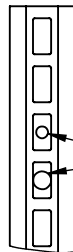


HALF UPRIGHT MOUNTED TO 2X4 STRIP THAT IS MOUNTED TO WALL/STRUCTURE

CONTACT A STRUCTURAL ENGINEER FOR PROPER FASTENERS AND ANCHORING REQUIREMENTS FOR YOUR SPECIFIC APPLICATION



HALF UPRIGHT MOUNTED TO 2X4 STRIP THAT IS MOUNTED TO WALL/STRUCTURE



SECURE THROUGH HOLES LOCATED IN REAR OF HALF UPRIGHT.

madix
ASY-80029672
 P.O. BOX 729 TERRELL, TEXAS 75160
 214-515-5400 / 800-776-2349
 PAGE 3 OF 3 REV. 00
 06/07/12 CAB ECM # 500000011318