

INSTALLATION INSTRUCTIONS

FOUR WAY DISPLAY PANEL W/PINS

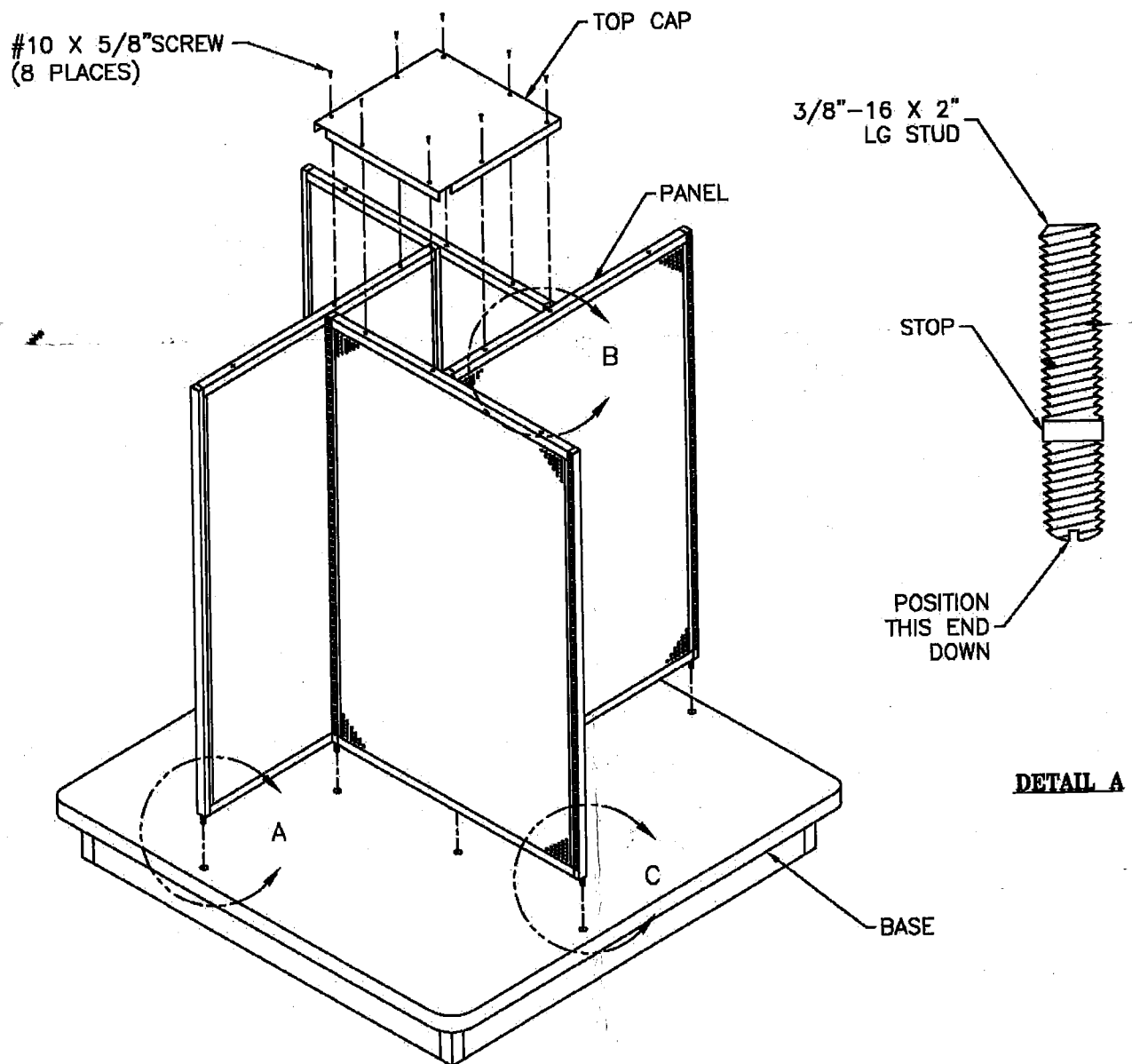
NOTE - LOAD CAPACITY:

This Display Unit has a maximum load capacity of 300 pounds on each individual panel. The total maximum load capacity for the assembled 4-panel unit is 1000 pounds.

STEP 1: Position display base at desired location.

STEP 2: Screw (8) 3/8"-16 x 2" LG full threaded studs into weldnuts on bottom of panel until stop on bolt meets panel (see Detail A). NOTE: The slotted end of the stud can be used with a screw driver for ease in installation.

STEP 3: OPTIONAL BASE ATTACHMENT: If it is desired to attach the panels to the base, leave approximately 1 1/4" of exposed threads on the outside studs and install a flat washer and hex nut to the bottom side of the deck after the panels are installed (see Detail C).



INSTALLATION INSTRUCTIONS

FOUR WAY DISPLAY PANEL W/PINS

STEP 4: Position display panel on base as shown. Studs will fit into holes on top of the base. NOTE: The top holes of panel should be towards the center of the base (see Detail B).

STEP 5: Secure the top cap with #10 x 5/8" S.M.S.

