

INSTALLATION INSTRUCTIONS

MOBILE END DECK

UPRITE/BASE BRACKET LIMITATIONS

<u>MOBILE GONDOLA UPRITE LIMITATIONS</u>	
BASE BRACKET SIZE COMBINATION	MAXIMUM UPRITE HEIGHT
13/13	NOT ALLOWED
13/16	78
13/19	90
13/22	102
13/25	114
16/16	90
16/19	102
16/22	114
16/25	120
19/19	114
19/22	120
19/25	120
22/22	120
22/25	120
25/25	120

-For use with Low Base NOM 13-25 base brackets only.

PARTS LIST

ITEM	QTY	DESCRIPTION
1	2	3" CASTERS, LOCKING
2	2	1/2-13 HEX NUT
3	2	1/2" LOCKING WASHER
4	1	LH SPANNER
5	1	RH SPANNER
6	1	FRONT KICKPLATE
7	2	5/16-18 X 2 1/2 MS
8	2	5/16-18 HEX NUT
9	2	5/16 LOCK WASHER
10	2	3/8-16 X 4 HEX BOLT
11	2	3/8-16 HEX NUT
12	2	3/8 LOCK WASHER
13	2	END TRIM
14	4	#10 X 3/4 TEK SCREW
15	1	END DECK ASSEMBLY

IMPORTANT LOADING INFORMATION

- The maximum rated load for the Mobile Wall End Deck is 500 lbs evenly distributed
- To prevent tipping, do not move a loaded Mobile Gondola.

NOTE: Always use more than one person to assemble the Mobile Gondola system prior to adding the Mobile End Deck.



INSTALLATION INSTRUCTIONS

MOBILE END DECK

STEP 1. Assemble standard mobile gondola per instructions provided with it. Except, on the end that the mobile deck will be installed, do not install hardware in the end of those base brackets. (See Figure 1)

STEP 2. Attach item 1 to each of items 4 & 5 by inserting threaded stem of item 1 through large holes in items 4 & 5. Secure item 1 with items 2 & 3. (See Figure 2)

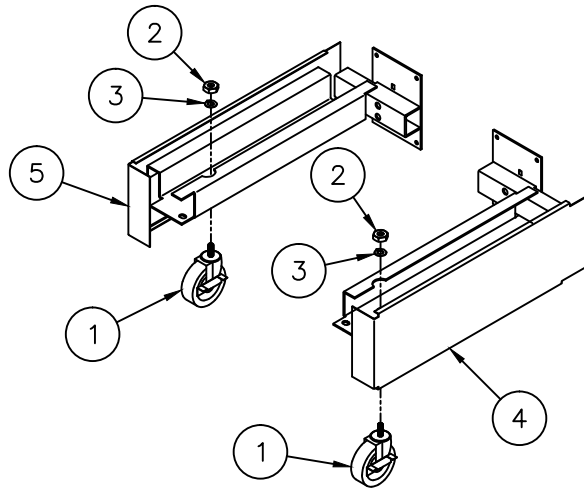


FIGURE 2

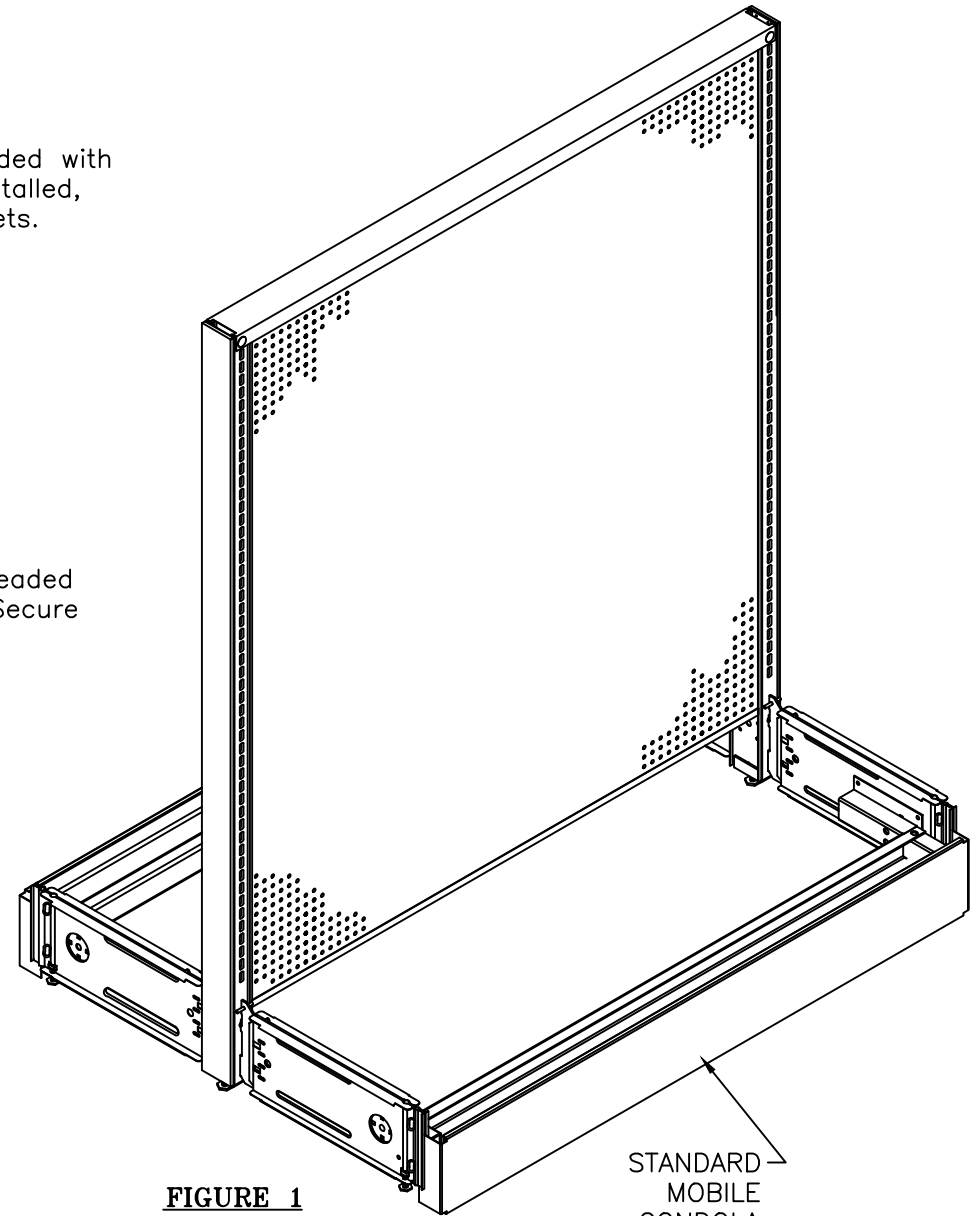


FIGURE 1

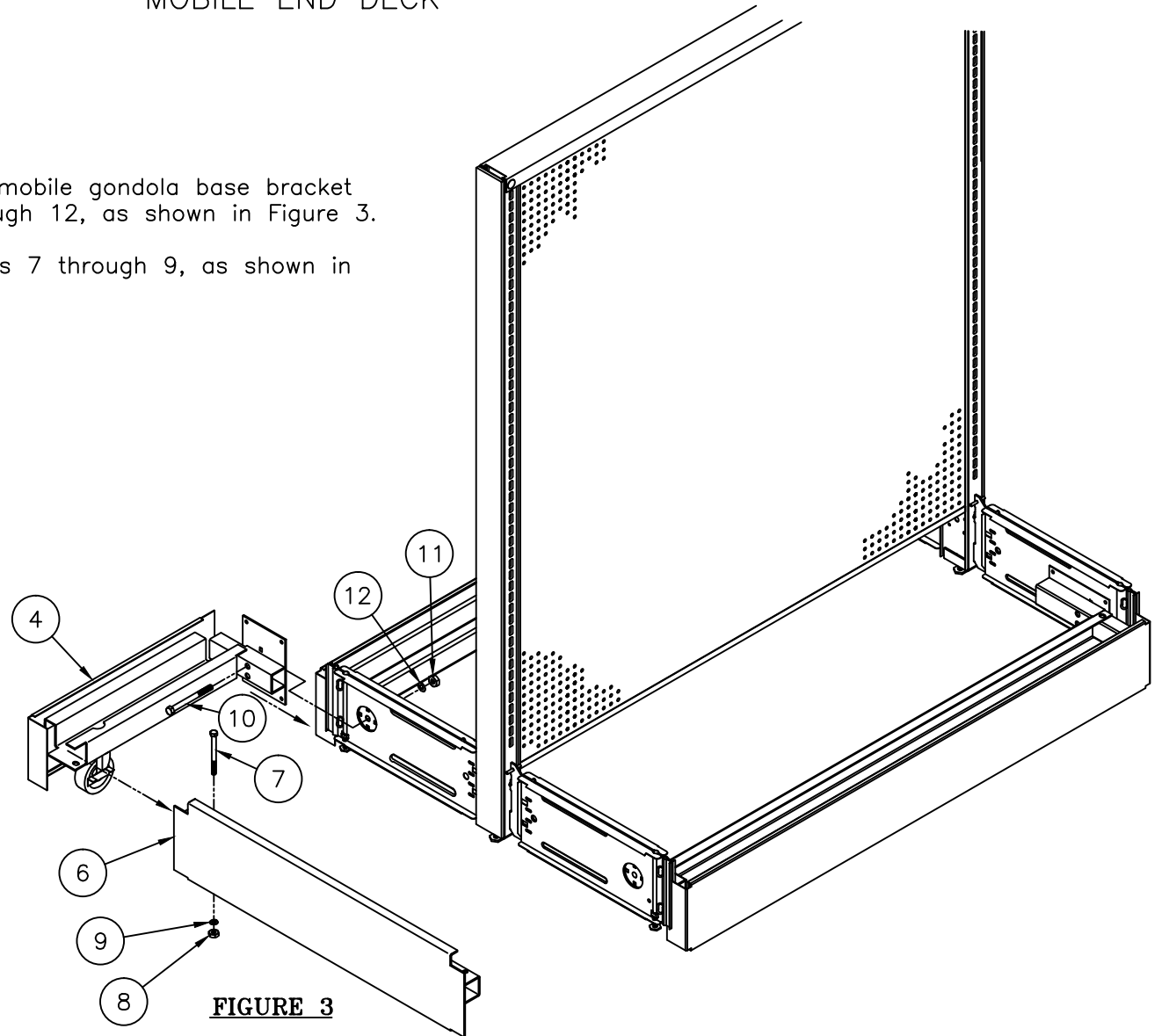
STANDARD
MOBILE
GONDOLA

INSTALLATION INSTRUCTIONS

MOBILE END DECK

STEP 3. Slide item 4 into the side of the mobile gondola base bracket and fastening with items 10 through 12, as shown in Figure 3.

STEP 4. Attach item 6 to item 4 with items 7 through 9, as shown in Figure 3.

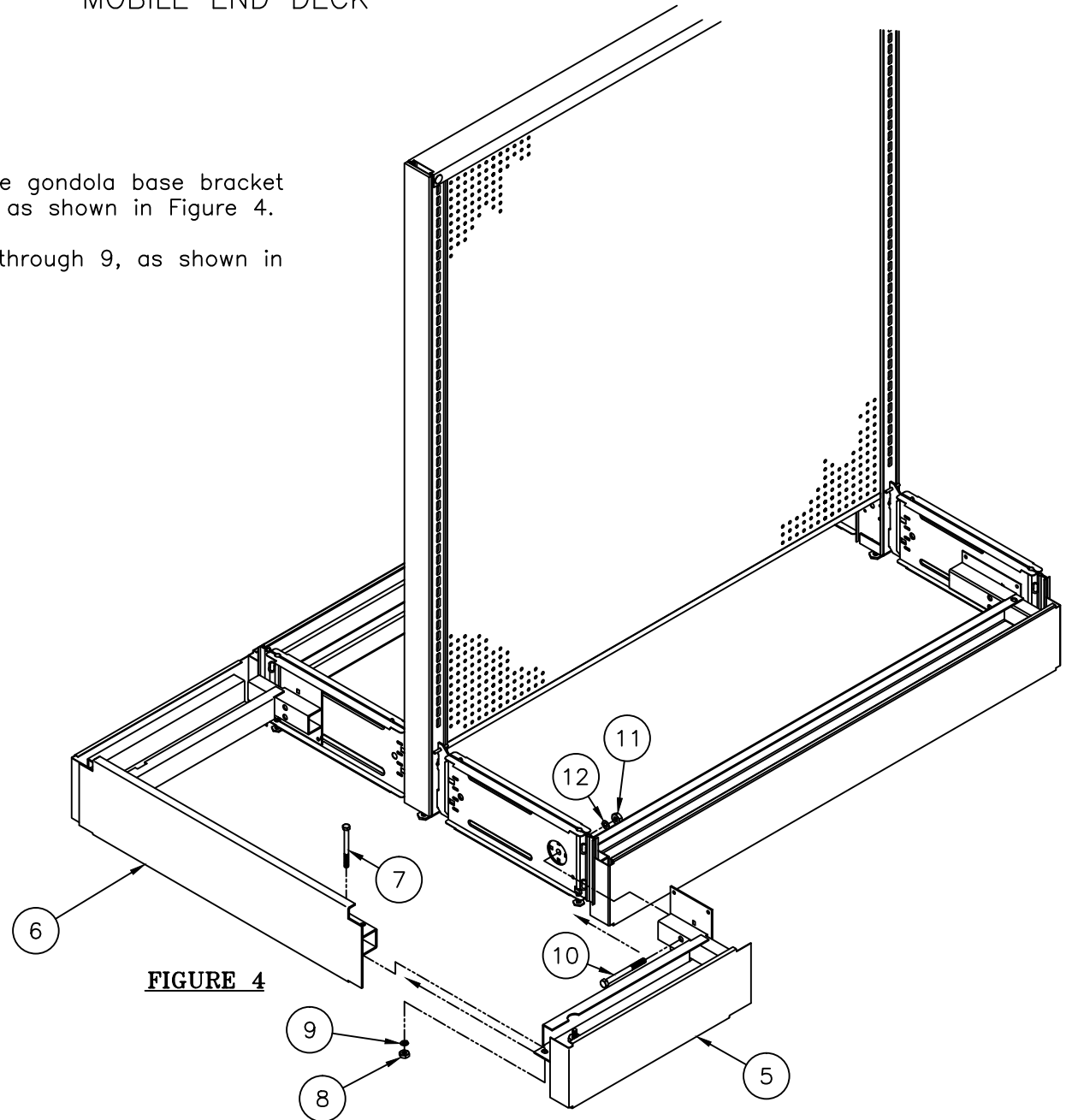


INSTALLATION INSTRUCTIONS

MOBILE END DECK

STEP 5. Slide item 5 into the side of the mobile gondola base bracket and fasten with items 10 through 12, as shown in Figure 4.

STEP 6. Attach item 6 to item 5 with items 7 through 9, as shown in Figure 4.



INSTALLATION INSTRUCTIONS

MOBILE END DECK

- STEP 7.** Install standard decks on the mobile gondola.
- STEP 8.** Position items 13 in place and secure to adjacent decks with tek screws, see Figure 5 and Detail A.
- STEP 9.** Rotate item 15 into assembled spanners and kickplate. Slide the top down until it lays flat in position (See Figure 5 & Section View).

