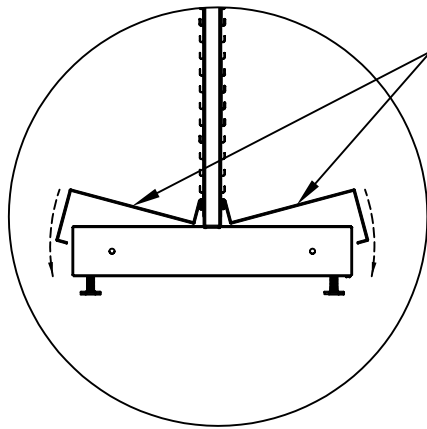


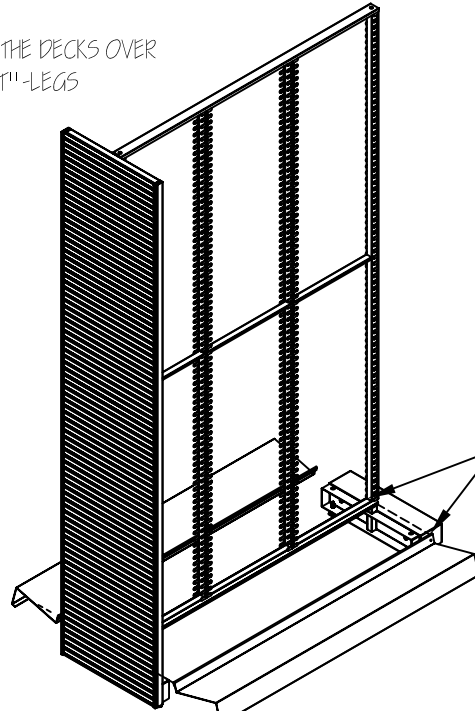
UNIWEB INC.

Installation Instructions



SNAP THE DECKS OVER THE "T"-LEGS

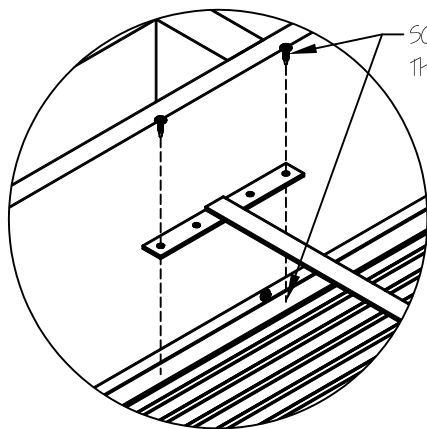
ENLARGED VIEW



HOOK THE METAL DECK TO THE FIRST UNIWEB RIB

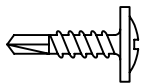
Step 3:

Hook the metal decks to the first Uniweb rib, Then snap the metal decks over the "T"-leg

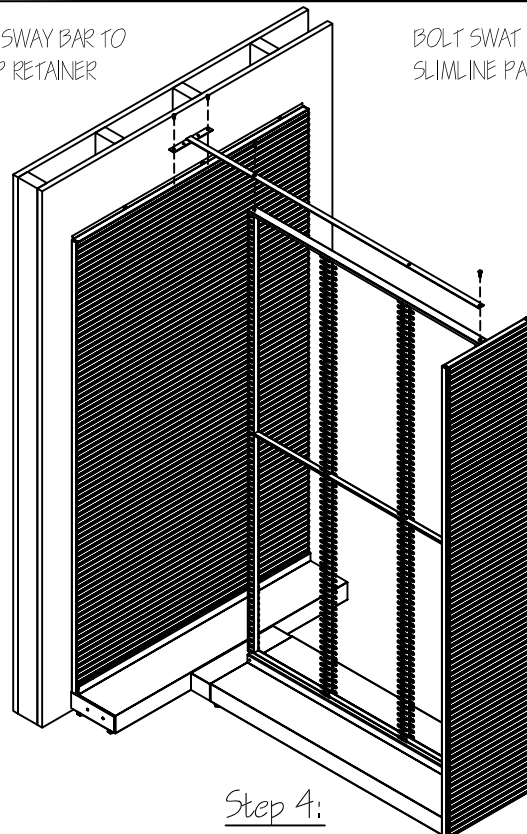


SCREW SWAY BAR TO THE TOP RETAINER

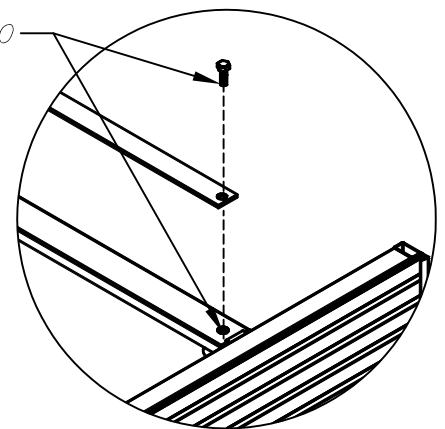
ENLARGED VIEW



#8 x 1/2" MOD. TRUSS HEAD



BOLT SWAY BAR TO SLIMLINE PANEL



ENLARGED VIEW



HEX BOLT 1/4-20 x 3/4

Step 4:

Place sway bar on top of open bay Slimline, Line up bolt holes and bolt the sway bar down. Then screw the sway bar to the top retainer