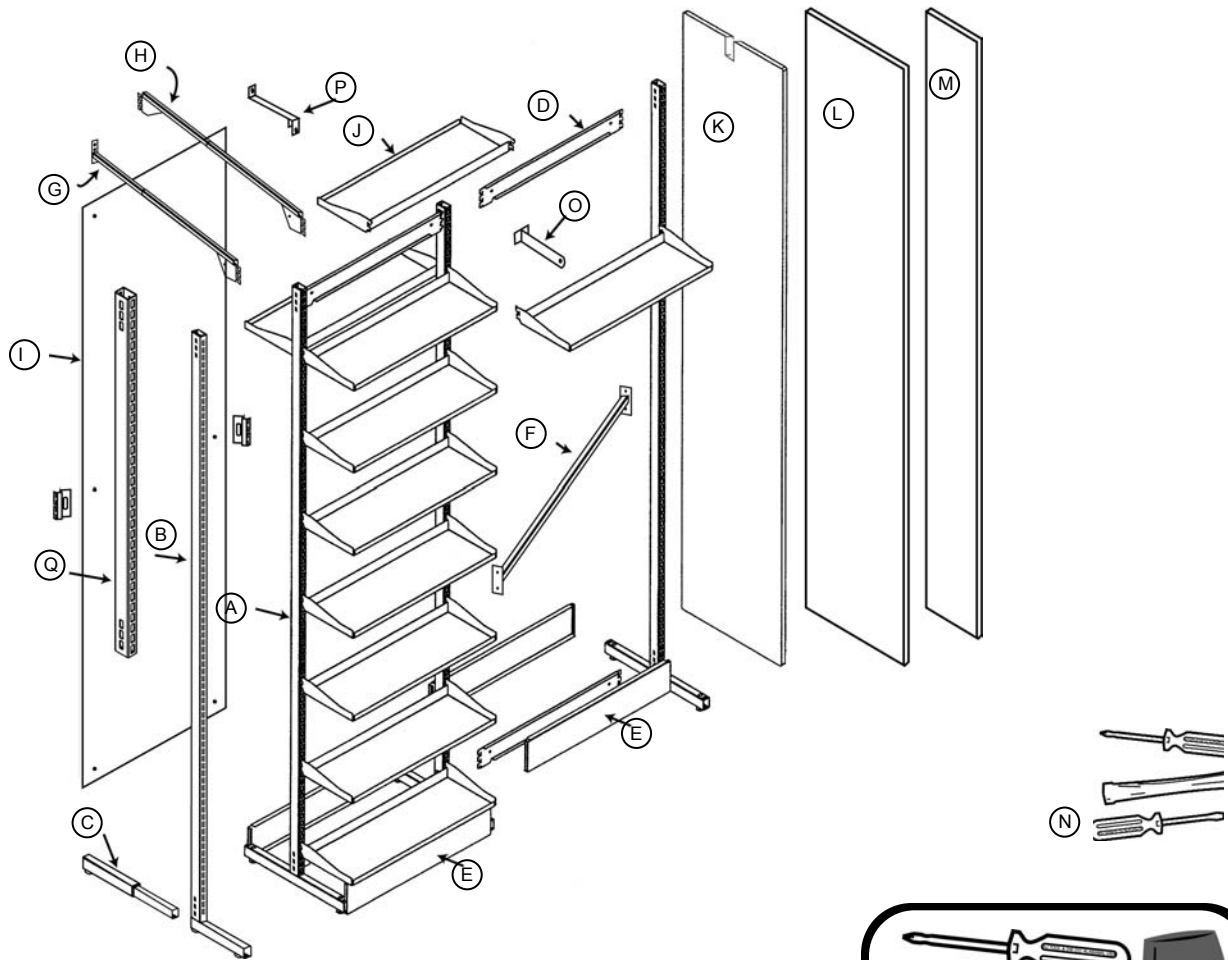


**MODULAR PHARMACY SHELVING****ASY1-032**

PARTS IDENTIFICATION



- A. TRXUG84 - GONDOLA UPRIGHT
- B. TRXUW84 - WALL UPRIGHT
- C. TRXUWSE - WALL UPRIGHT SHOE
- D. TRXSTB16 or TRXSTB32 - BAY STRETCHER
- E. TRXK16 or TRXK32 - KICKPLATE
- F. TRXD16 or TRXD32 - DIAGONAL STABILIZER
- G. TRXSTW3054 - WALL STRETCHER
- H. TRXSTA3054 - AISLE STRETCHER
- I. TRXB1684 or TRXB3284 - BACK WITH STIFFENER CLIPS
- J. TRXSF1608 or TRXSF3208 - SHELF
- K. TRXEPS1884 - DOUBLE BAY SLOTTED END PANEL
- L. TRXEP1884 - DOUBLE BAY END PANEL
- M. TRXEP1084 - SINGLE BAY AND WALL END PANEL
- N. TRXEPHC - END PANEL HARDWARE KIT
- O. TRXSFD08 - SHELF DIVIDER
- P. TRXUGS - GONDOLA UPRIGHT STABILIZER
- Q. TRXUT(NH) - WALL MOUNT UPRIGHT TUBE FOR ABOVE COUNTERS

Tools needed include a  
Phillips screwdriver, flat  
head screwdriver and a  
rubber mallet.

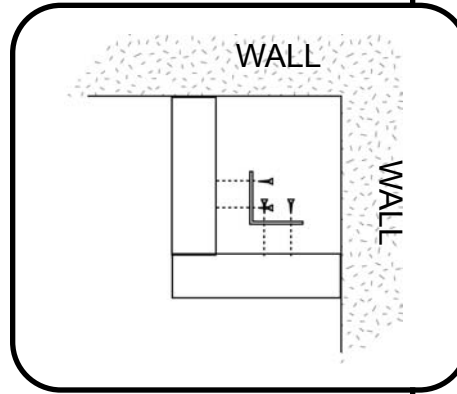
# MODULAR PHARMACY SHELVING

**ASY1-032**

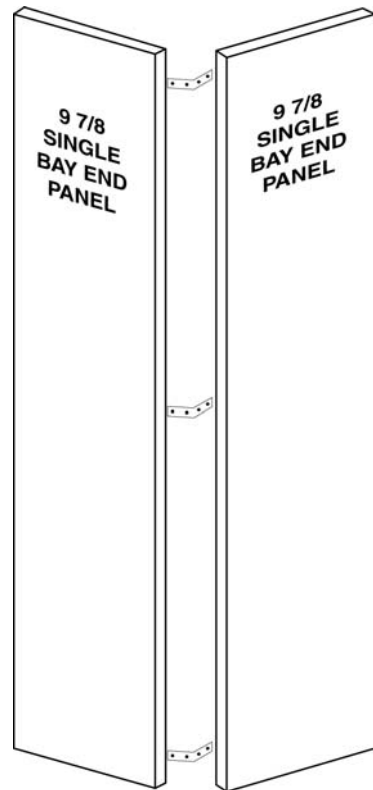
## INSTALLATION INSTRUCTIONS

**1**

Starting in a back corner, first assemble one corner box using two single bay end panels. Use the corner hardware to assemble the corner.



**1**



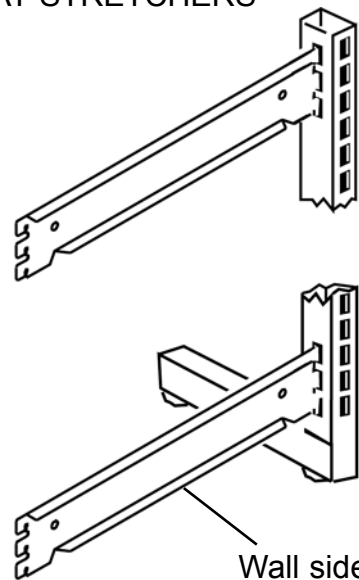
**DO NOT SECURE UPRIGHTS TO END PANELS UNTIL ENTIRE SYSTEM HAS BEEN LEVELED!**

**2**

Working outward from the boxed corner, assemble and level the run until the placement for an aisle is reached. A minimum of 48" or three sections. It is recommended that a rubber mallet be used to secure bay stretchers into uprights. Breaks on stretchers should face walls.

**2**

### BAY STRETCHERS



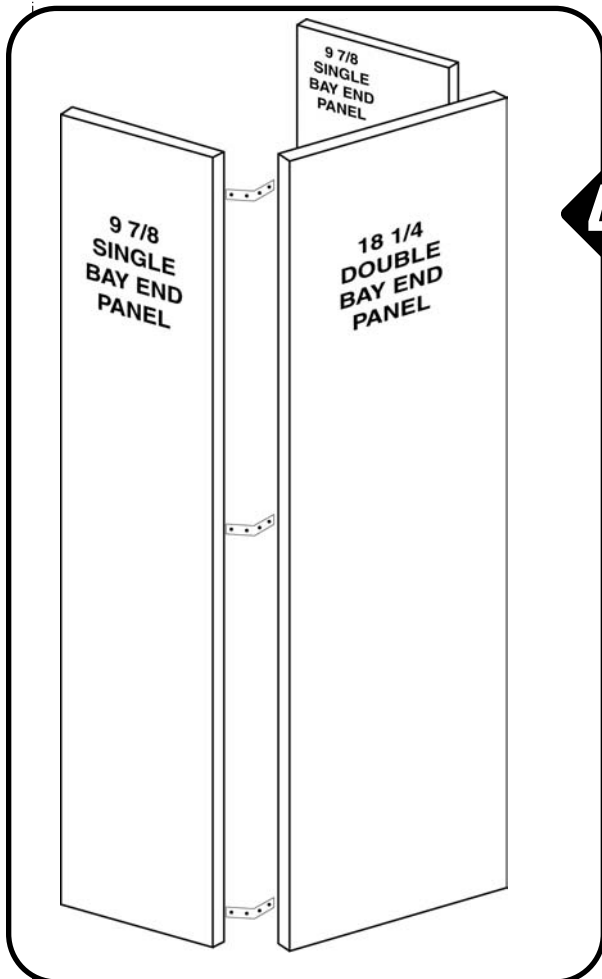
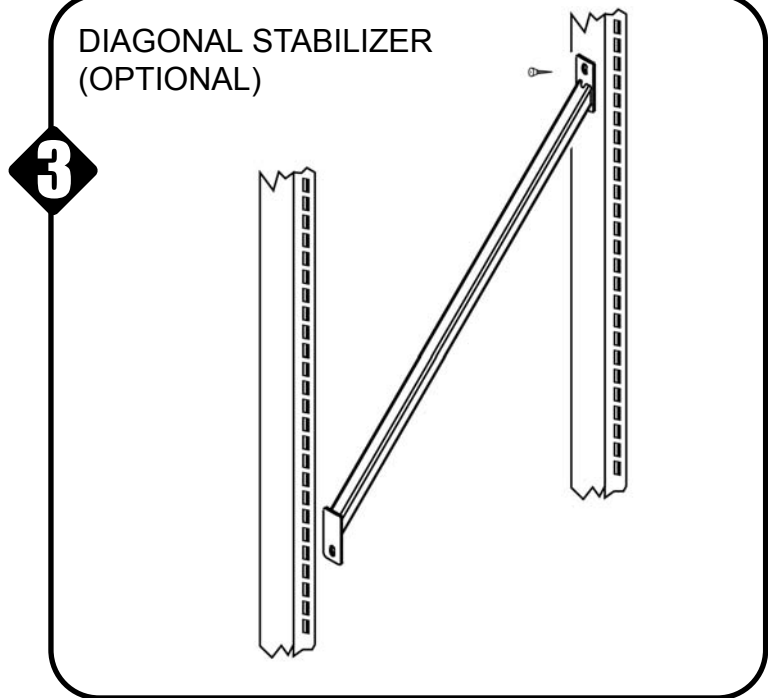
# MODULAR PHARMACY SHELVING

**ASY1-032**

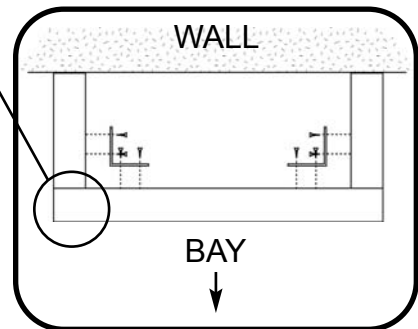
## INSTALLATION INSTRUCTIONS

**3** Optional diagonal stabilizers may be added between the uprights of one section of each run to add stability. Secure stabilizers with self tapping screws provided.

**NOTE:** diagonal stabilizers will not be used if back panels are used!



**4** When placement for an aisle is reached, a bay end box must be constructed. Assemble the box using one double bay end panel and two single bay end panels. Use the corner hardware. **Note** that the double bay end panel is outward facing, and boxes over the edges of the single bay panels.



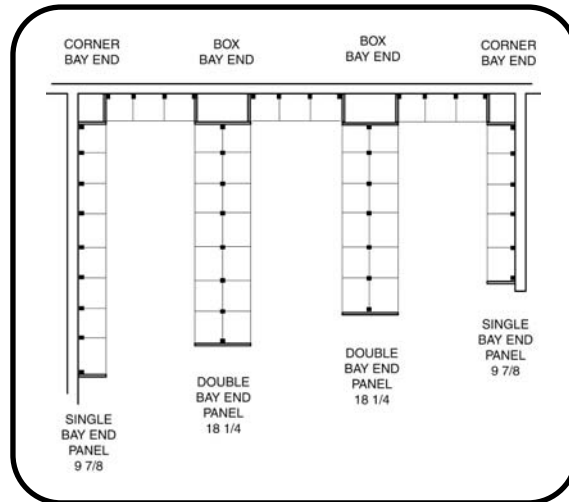
**DO NOT SECURE UPRIGHTS TO END PANELS UNTIL ENTIRE SYSTEM HAS BEEN LEVELED!**

# MODULAR PHARMACY SHELVING

**ASY1-032**

## INSTALLATION INSTRUCTIONS

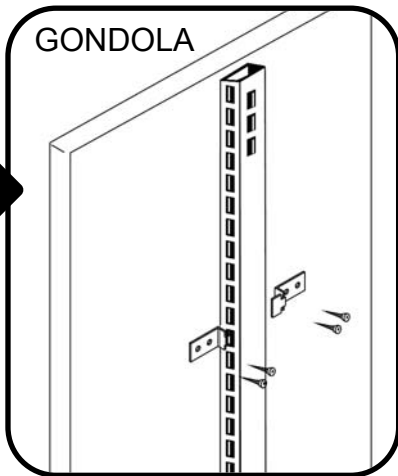
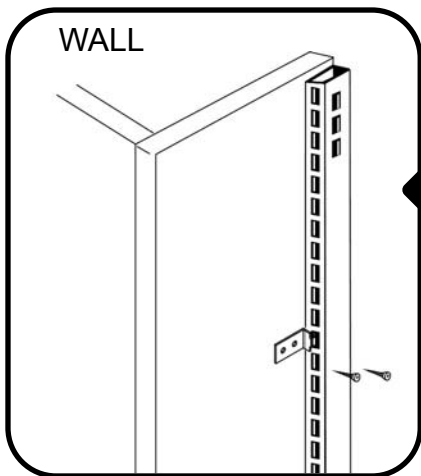
The versatility of the Modular Pharmacy Shelving system allows for a variety of setup options. This diagram demonstrates the placement of corner bay ends and box bay ends, as well as the use of end panels for a finished look.



**EXAMPLE ONLY!**  
Do not use for installation.



The Modular Pharmacy Shelving system should be plumbed and leveled before proceeding. A level should be placed upon the face of each upright. The leveling legs may be turned from above with a flat head screwdriver. A string may be pulled to assist in finding the proper settings.



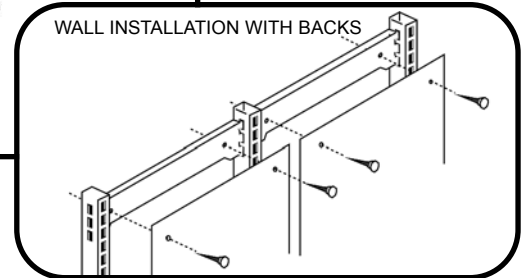
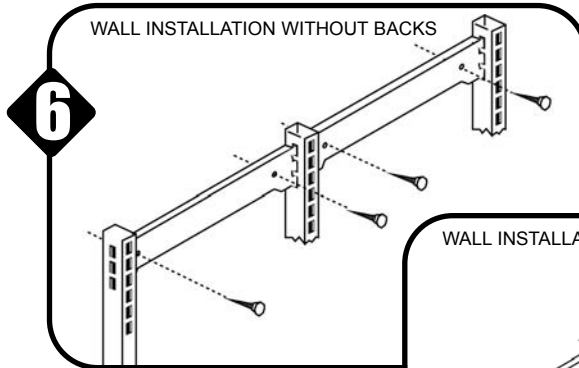
After the system has been plumbed and leveled, secure the uprights to the boxed corners, bay end boxes and end panels using the provided hardware. Bay uprights should be centered on double bay panels at 9 1/8" from the edges. Wall uprights will be flush with single bay panel edges.

# MODULAR PHARMACY SHELVING

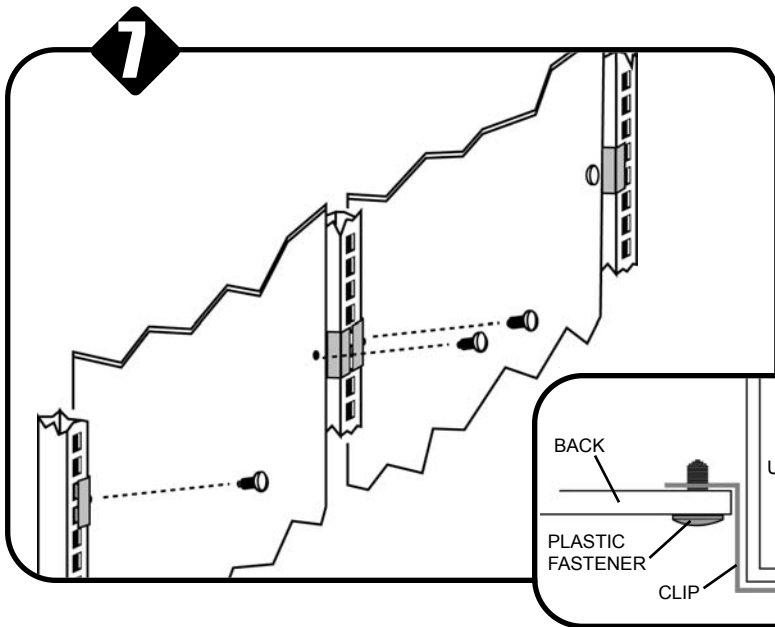
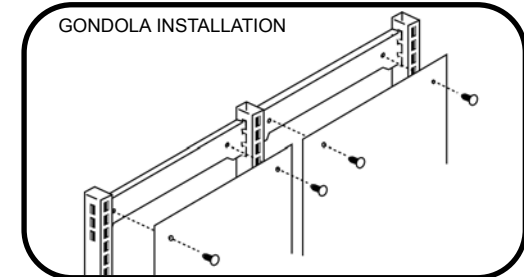
**ASY1-032**

## INSTALLATION INSTRUCTIONS

**6** Secure wall uprights through holes in bay stretchers. If using back panels, align holes in back panels with holes in bay stretchers and secure.

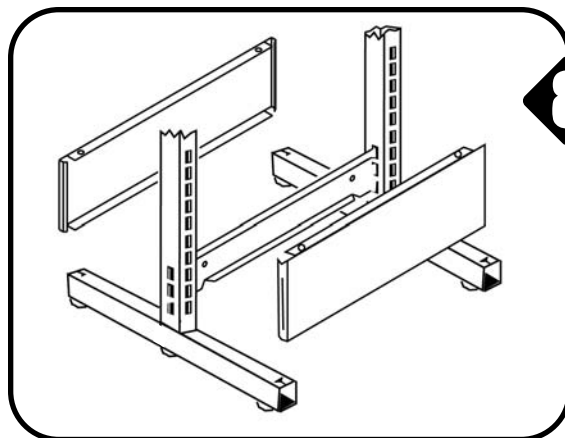


**!** **NOTE:** Hardware is provided for securing back panels to bay stretchers. **Installer must supply hardware for wall installation.**



**7** Using provided plastic fasteners, install the back stiffener clips. The back stiffener clips lock into the upright slots and are secured through the center of the backs. Make certain that the back stiffener clip fastens **behind** the the back as shown at left.

**8** Kickplates slide into notches in upright shoes from top.



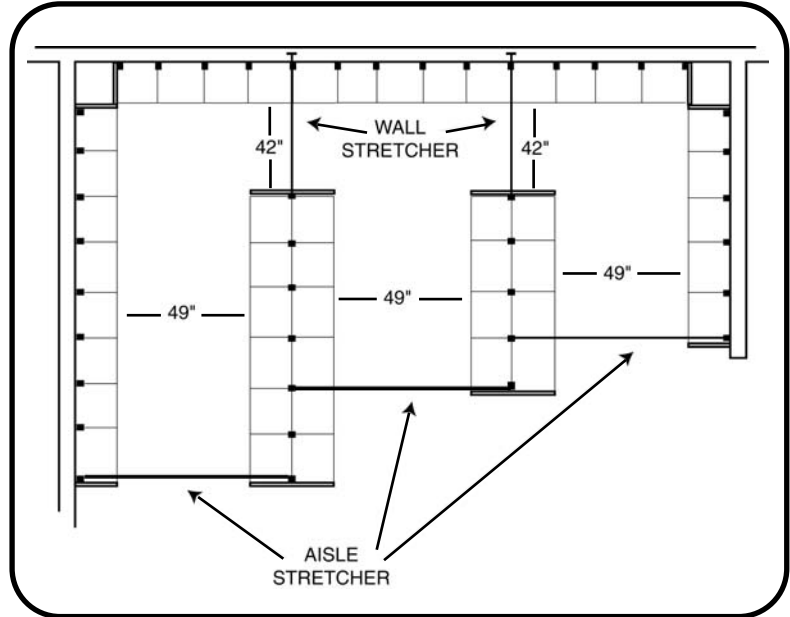
# MODULAR PHARMACY SHELVING

**ASY1-032**

## INSTALLATION INSTRUCTIONS

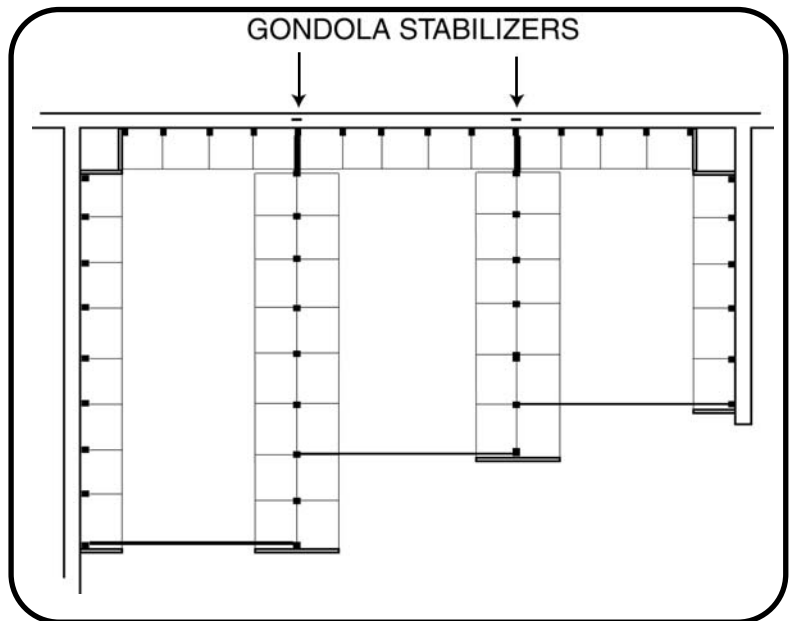
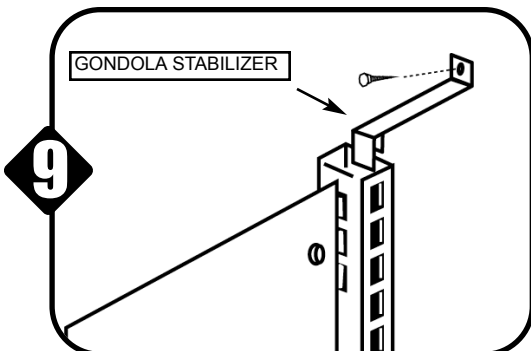
### WALL STRETCHERS, AISLE STRETCHERS and GONDOLA STABILIZERS

The versatility of the Modular Pharmacy Shelving system allows for a variety of setup options. Gondola stabilizers, wall stretchers and aisle stretchers should be used where applicable to stabilize the system. The maximum aisle width between the shelves should not exceed 49". The maximum extension of the wall stretcher should not exceed 51", making the maximum walking space 42".



**EXAMPLE ONLY!**  
Do not use for installation.

**9** The gondola stabilizer is used in the absence of a boxed bay, when a gondola simply starts from a wall section. The stabilizer simply slips over the top of the upright and is secured to the wall above the wall section.



**EXAMPLE ONLY!**  
Do not use for installation.

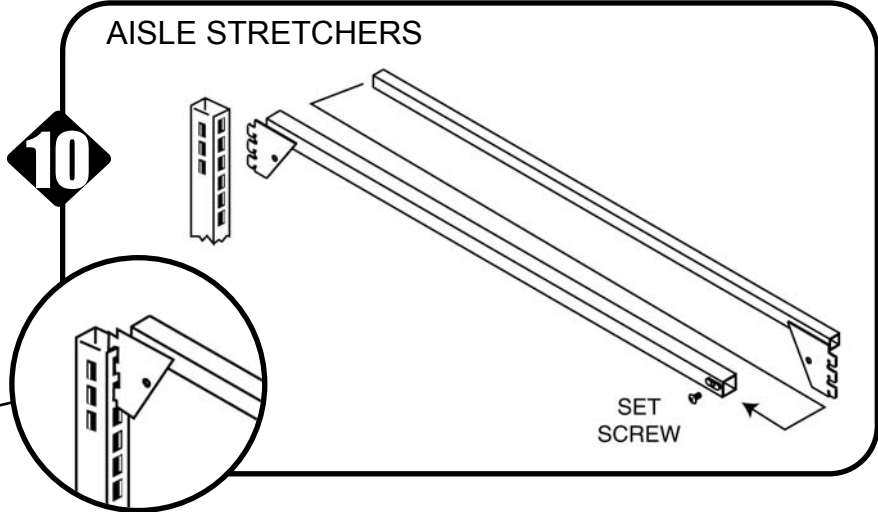
# MODULAR PHARMACY SHELVING

**ASY1-032**

## INSTALLATION INSTRUCTIONS

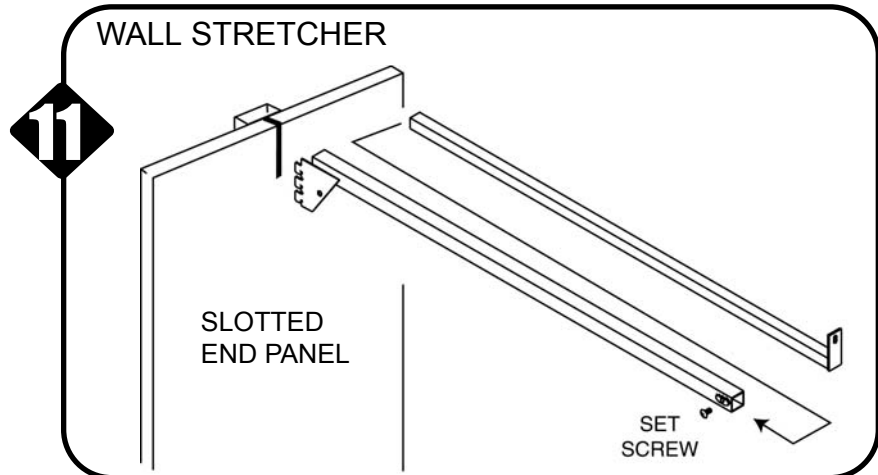
**10**

Aisle stretchers are used overhead to stabilize bays. Tabs on aisle stretchers lock into uprights. Use a rubber mallet to secure tabs into upright. Once the stretcher is in place, tighten the set screw to hold the position. Note: if shelves are to be installed at top slot, attach the top hook of the stretcher OVER the upright.



**11**

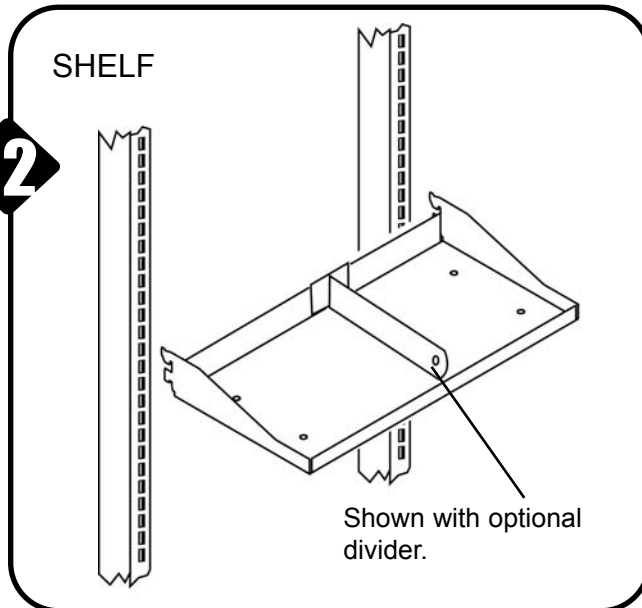
Wall stretchers are used to stabilize freestanding bays. Only the slotted end panel can be used in the application shown. However, the wall stretcher may be hooked directly into an upright with no end panel. The maximum span should not exceed 51". Once the stretcher is secured, the set screw should be tightened.



**12**

Shelves simply install into uprights straight in, then down. Optional shelf dividers drop into place.

**12**



**Maximum shelf load is not to exceed 30lbs!**

**INSTALLATION COMPLETE!**

# MODULAR PHARMACY SHELVING

**ASY1-032**

## INSTALLATION INSTRUCTIONS

### INSTALLING WALL MOUNT UPRIGHTS - TRXUT(NH)

**13**

Measure for placement and snap a chalkline on the wall as a guide. **Wall mount uprights may be installed without the use of bay stretchers. See note below right. If using bay stretchers:** Assemble one frame consisting of two uprights and two bay stretchers. **NOTE: Bay stretchers should be installed as shown at right with lower stretcher bracket tabs facing up!** While an assistant holds the frame in place, plumb and anchor the frame to wall. Frames may be anchored through stretchers or uprights. **Installer to provide hardware and determine placement.**

**14**

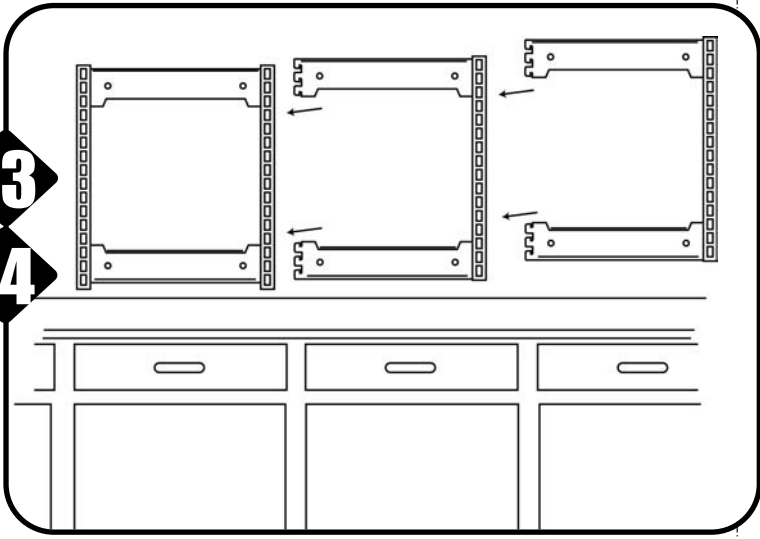
Install the remaining run in units consisting of two bay stretchers and one upright, as shown. Plumb each unit to chalkline. If bay stretchers are not used, measure for placement of each upright and plumb to chalkline.

**15**

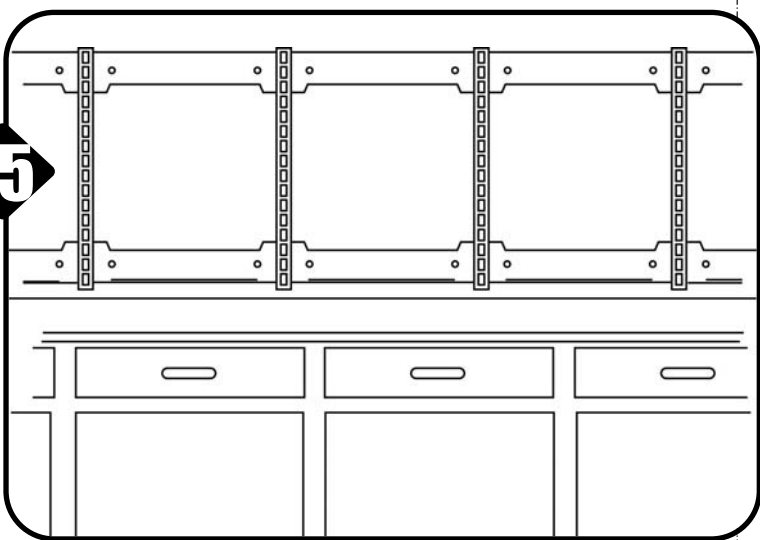
Once the run is complete and securely anchored to the wall, shelves may be added according to the store plan.

**13**

**14**



**15**



**NOTE!**

Wall mount uprights may be installed without the use of bay stretchers. However, the use of bay stretchers sets spacing and allows for optional anchoring that will not interfere with shelf placement.

**INSTALLATION COMPLETE!**

REV#	ECN#	REVISION	BY	DATE
A		Revised to show gondola stabilizer	AJB	
B		Revised back stiffener clip install	AJB	4/17/01
C		Added wall mount upright	AJB	11/12/01

