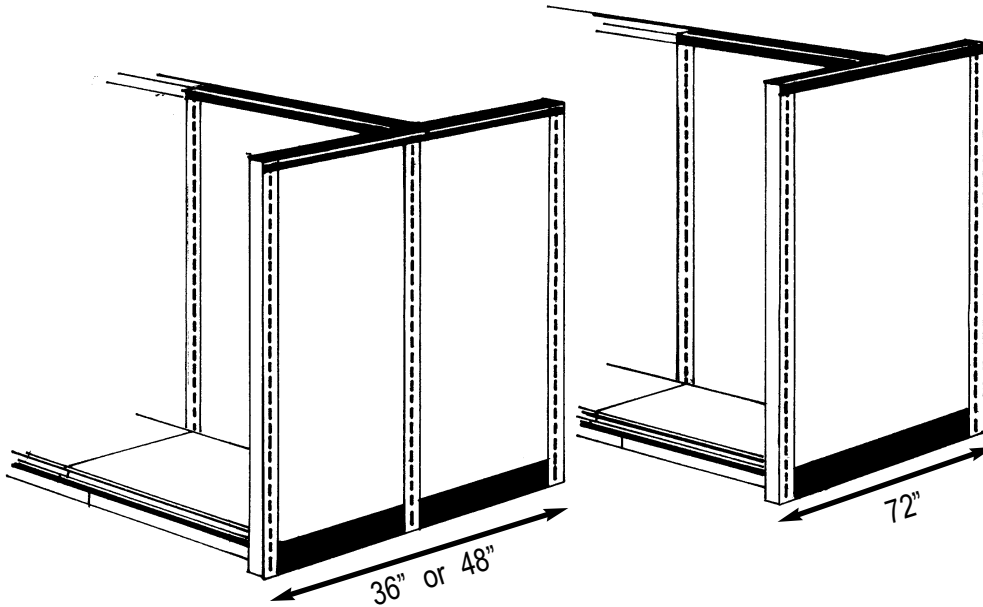


WALL SECTION ADAPTER KIT

ASY 066

PARTS IDENTIFICATION



Components for these end displays are ordered individually. Consult installation instruction ASY-046 for identification and use of parts other than those shown below.

ALL CARTONS CONTAINING WALL SECTION ADAPTER KIT ARE LABELED

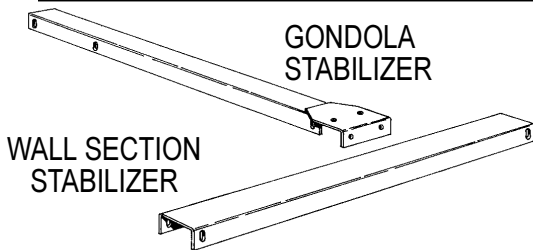
OPEN

4

FOURTH

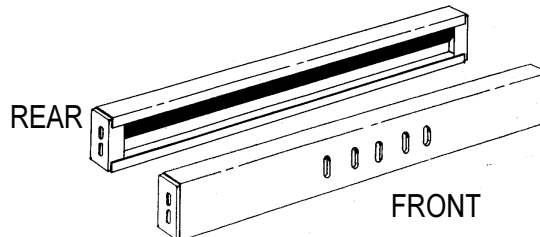
PART DESCRIPTION	PART NUMBER	QUANTITY X WIDTH	
		36" or 48"	72"
BASIC UPRIGHTS	BU-□□	2	3
OPEN BACK STIFFENER, centered slots	OBSCS-□□	1	2
TOP SPANNER	STL-□	1	2
CENTER SPANNER	SC-□	1	2
SPLICER SPANNERS	SS-□	(1)	(2)
BACK PANELS	BH/BP-□□□	2 (4)	4 (8)
UPRIGHT END COVERS	UEC-□□	2	2
WALL SECTION END STABILIZER	WSEMIK-□□	1	1
*WALL TO UPRIGHT FLOOR BRACKET	WTUFB	2	2

• For units over 72" in height, total quantity is shown as (2).
 * Optional....only if ordered.

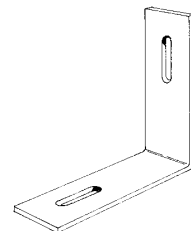


WSEMIK
...WALL SECTION
ADAPTER KIT

OBSCS-□□
OPEN BACK STIFFENER
WITH CENTER SLOT
NOTE! There is no top or
bottom to the OBSCS.



WTUFB
WALL TO UPRIGHT
FLOOR BRACKET
...optional



WALL SECTION ADAPTER KIT

ASY 066

INSTALLATION INSTRUCTIONS

1 Bolt the first OBSCS to the first upright through the bottom slot as shown, using the screw, washers and nut from hardware pack #7200-426...OBSCS should be raised until the bottom of the slot hits the screw before tightening securely.

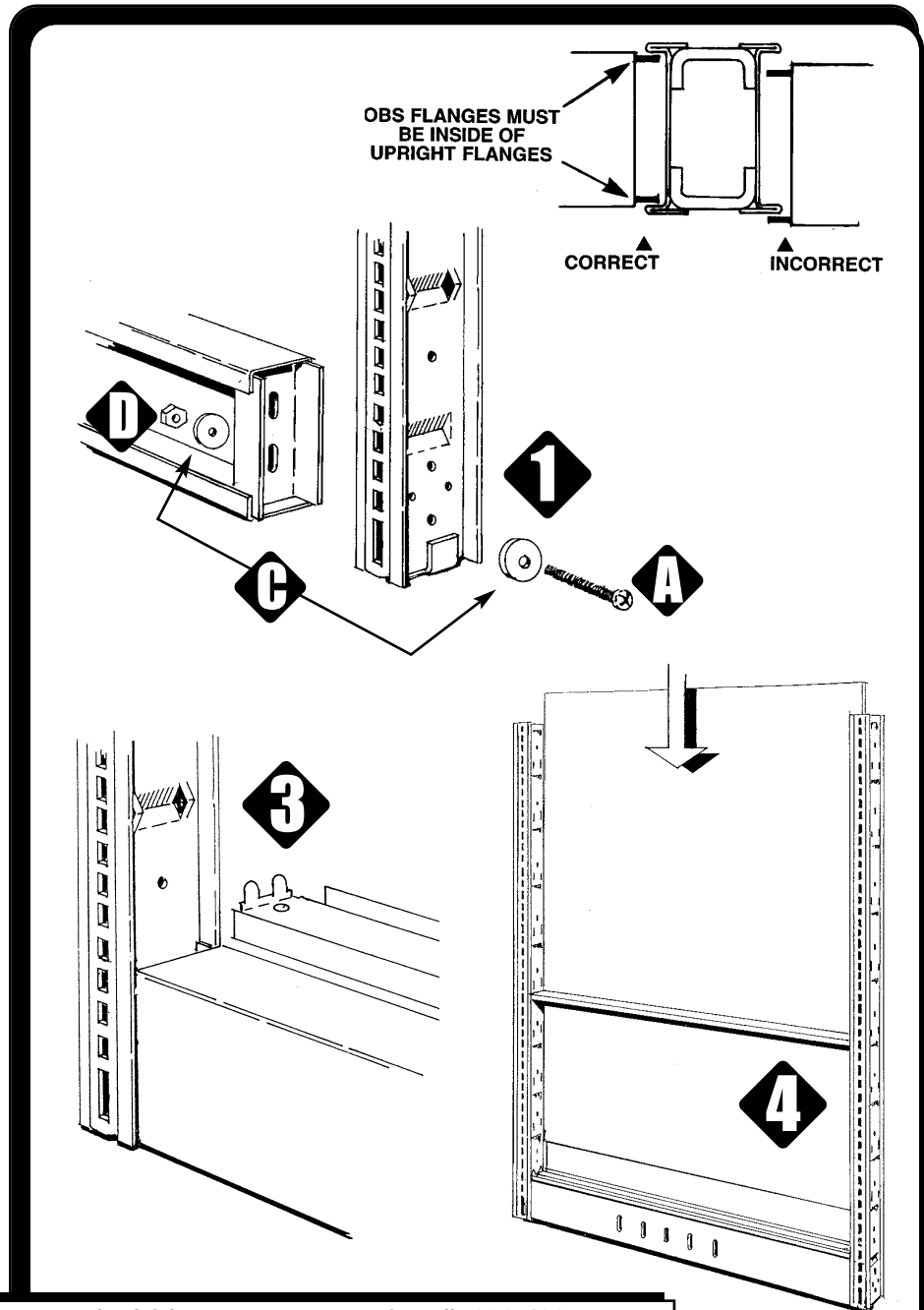
2 Repeat step 2 to secure the OBSCS to the second upright.

NOTE! If the wall section is to be 72" wide, join the second upright and both OBSCS together with the same bolt ...then secure the second OBSCS to the third upright as in step 1.

3 Lay a top spanner, STL, on the OBSCS...the STL must be in the inverted position with the tabs pointing upward and not inserted into spanner lances.

4 Install the center spanner at the middle of the upright.

NOTE! When installing the back panels, place the front panel above the center slot side of the OBSCS and the rear panel above the open side of the OBSCS. The open side of the OBSCS will be against the gondola upright. Install the front and rear back panels. Install the top spanner.



OBSCS HARDWARE PACK #7200-426

QTY.	ITEM DESCRIPTION
2	A 1/4 - 20 x 4" Phillips round head machine screw
1	B 1/4 - 20 x 6" Phillips round head machine screw
6	C 1/4" flat washer
3	D 1/4 - 20 hex nut

A ...indicates item, where used.

Note! Item **B** plus two washers and one hex nut are to be used later at Step 7.

WALL SECTION ADAPTER KIT

ASY 066

INSTALLATION INSTRUCTIONS

5

If the unit is 72" wide, repeat steps 3 and 4 with the second section.

6

If the gondola base shelves are equal, the center slot of the OBSCS should align with the 3/8" dia. hole in the side of the gondola upright. If gondola base shelves are unequal, any difference in width should be as nearly equal at each side to allow aligning an alternate OBSCS slot with the 3/8" diameter hole.

7

Secure the wall section to the gondola upright as shown with the remaining fasteners from the OBSCS hardware pack...see page 2 for fastener designations. The 6" screw inserts through the selected slot and the 3/8" dia. hole in the side if the gondola upright. Leave the nut slightly loose.

NOTE! If the unit is 72" wide, insert the 6" screw through a slot in the center upright of the wall sections and the 3/8" dia. hole in the side if the gondola upright.

8

Set wall section stabilizer over the top of the wall section and bolt through the top slot of the uprights as shown... BOTH ENDS.

WSEMIK HARDWARE PACK #7200-123

QTY.	ITEM DESCRIPTION
2	E #10 x 1" Phillips truss head , TEK-3, sheet metal screw
2	F #8 x 1/2" Phillips pan head, TEK-2, sheet metal screw
4	G 5/16"-18 x 3 1/4" carriage bolt
4	H 5/16" flat washer
4	J 5/16-18 hex nut
	E ...indicates item, where used.

