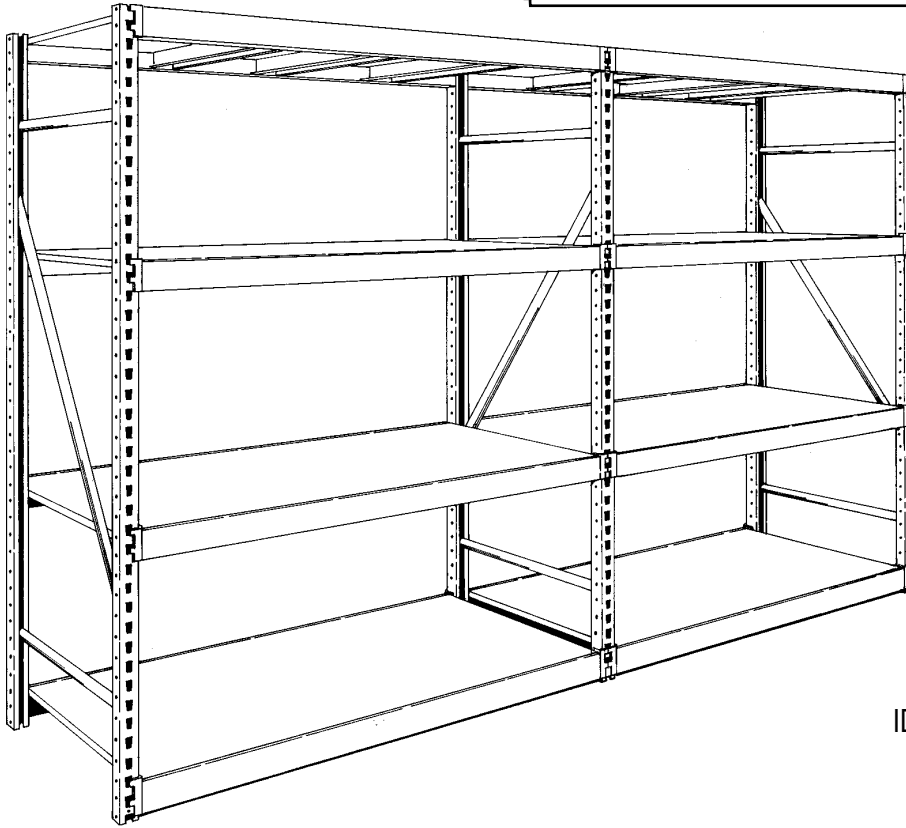


WIDE SPAN SHELVING

ASY 061

INSTALLATION INSTRUCTIONS



PAGE 2-3
PARTS
IDENTIFICATION

PAGE 4-5
BASIC
INSTALLATION

PAGE 6-7
INSTALLATION OF
EXTRAS

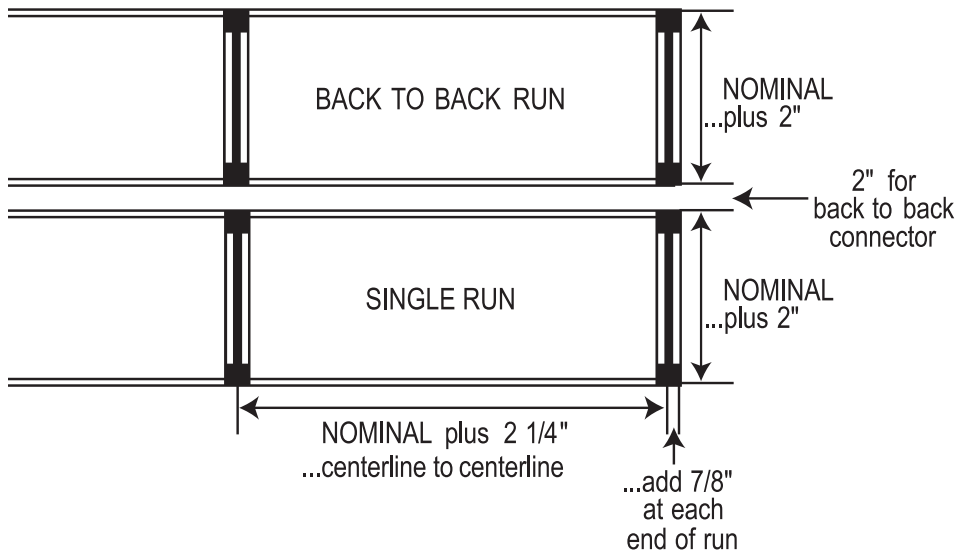
PAGE 8
LOAD
CAPACITY

PAGE 9
SAFETY

PAGE 10
ANCHORING
TO
FLOOR

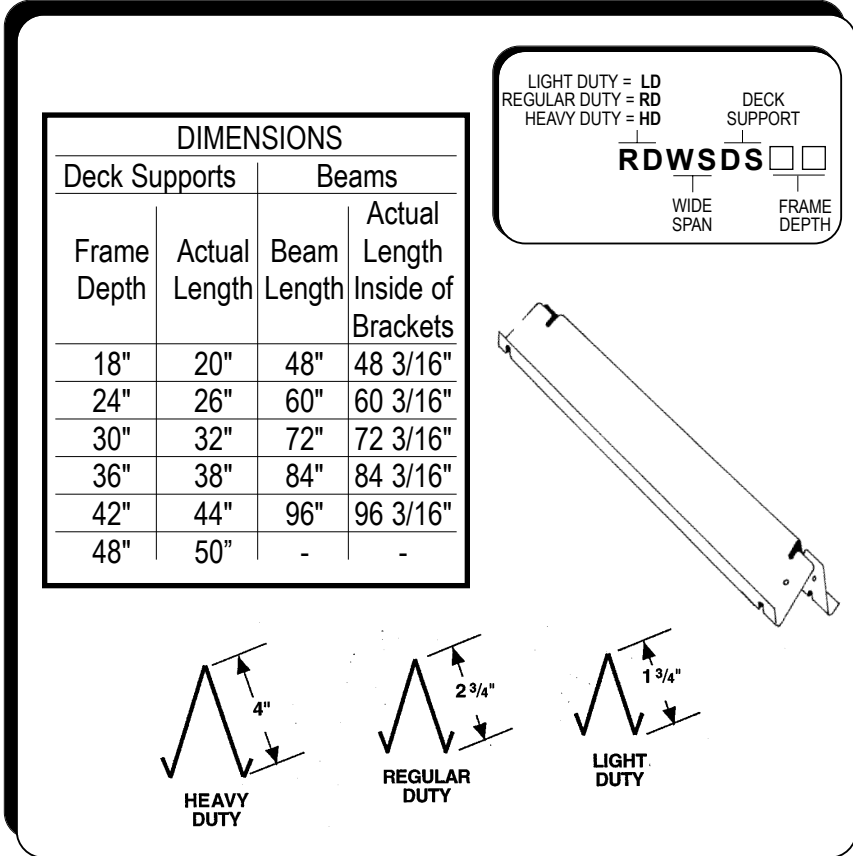
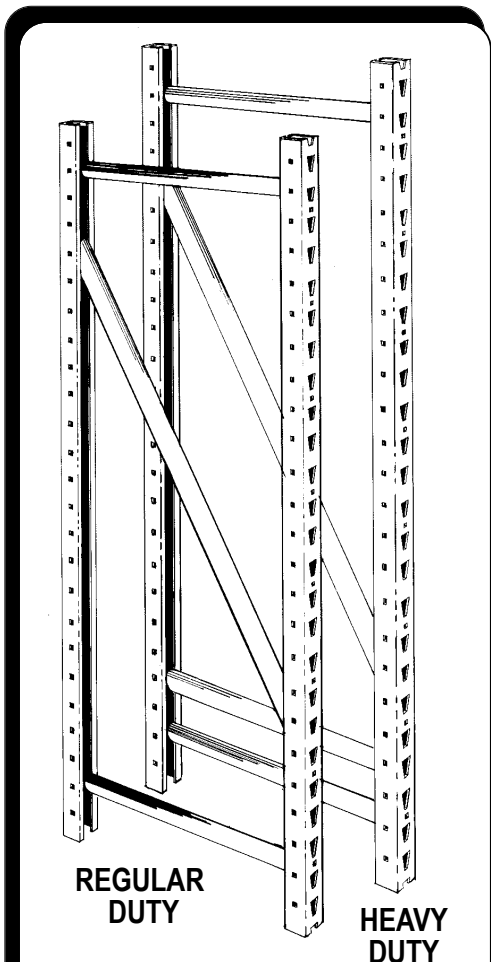
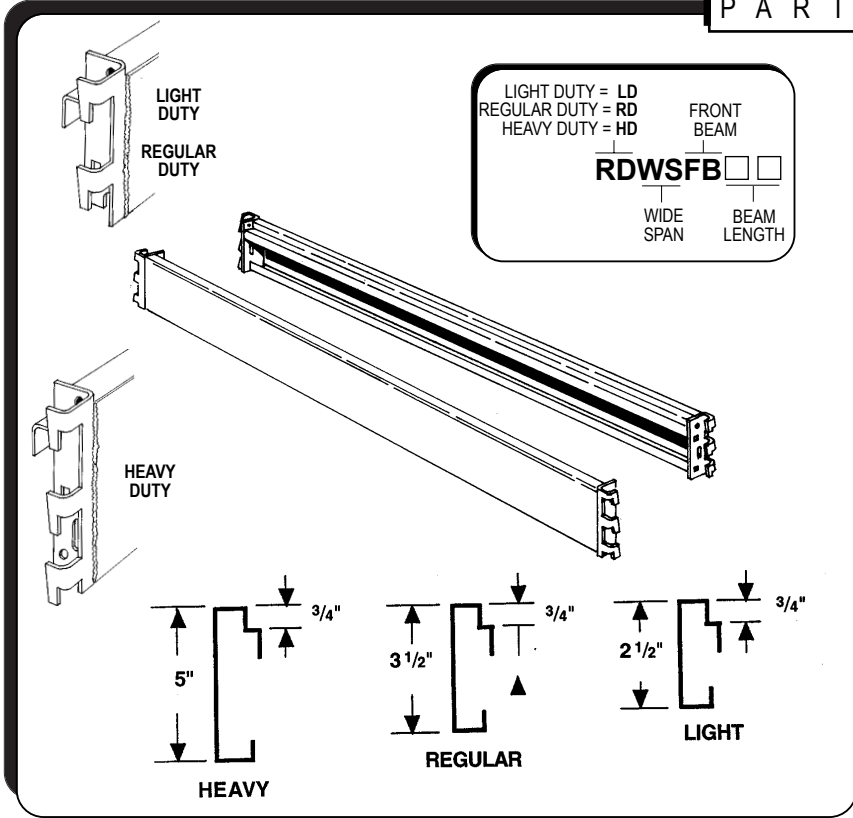
NOTE!

This publication is intended to be a generic installation instruction for Madix Wide Span, and may possibly be subject to change as required by local building codes ...consult the building inspection department at job site.



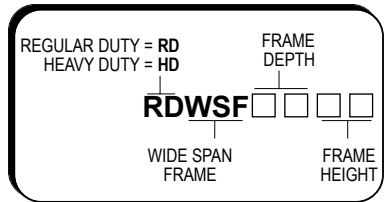
WIDE SPAN SHELVING ASY 061

PARTS IDENTIFICATION



DIMENSIONS

Deck Supports		Beams	
Frame Depth	Actual Length	Beam Length	Actual Length Inside of Brackets
18"	20"	48"	48 3/16"
24"	26"	60"	60 3/16"
30"	32"	72"	72 3/16"
36"	38"	84"	84 3/16"
42"	44"	96"	96 3/16"
48"	50"	-	-



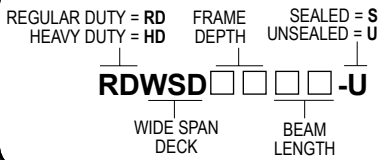
FRAME DIMENSIONS

Frame Depth	Actual Depth	Frame Height	Actual Height
18"	20"	48"	48"
24"	26"	60"	60"
30"	32"	72"	72"
36"	38"	84"	84"
42"	44"	96"	96"
48"	50"	108"	108"
-	-	120"	120"



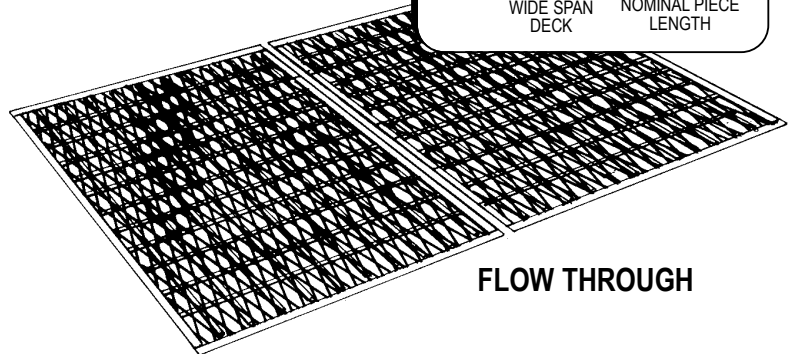
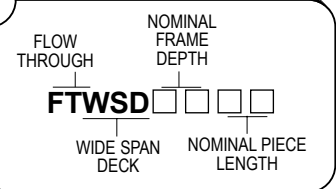
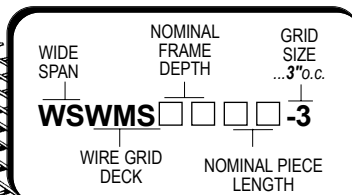
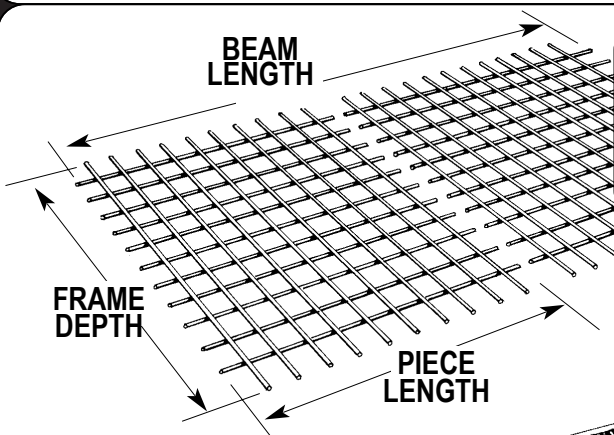
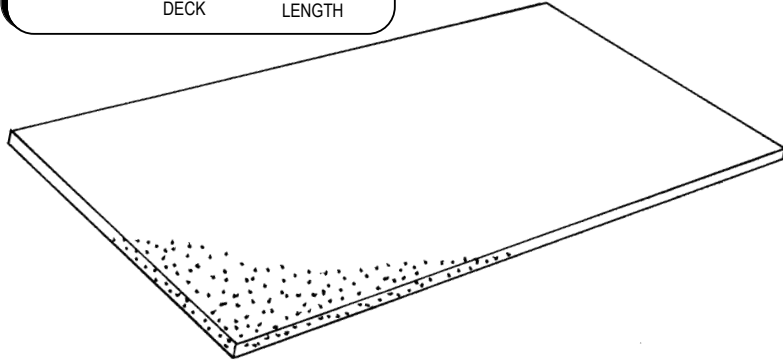
WIDE SPAN SHELVING ASY 061

PARTS IDENTIFICATION



PARTICLE BOARD DECKS
...dimensions

Frame Depth	Actual Depth	Beam Length	Actual Length
18"	18"	48"	47 29/32"
24"	23 29/32"	60"	60"
30"	30"	72"	72"
36"	36"	84"	84"
42"	42"	96"	96"
48"	48"	-	-



WIRE GRID DECKS, and FLOW THROUGH DECKS
...dimensions

Frame Depth	Actual Depth	Piece Length	Actual Length
18"	17 3/4"	24"	23 3/4"
24"	23 3/4"	36"	35 3/4"
30"	29 3/4"	48"	47 3/4"
36"	35 3/4"	-	-
42"	41 3/4"	-	-
48"	47 3/4"	-	-

WIRE GRID and FLOW THROUGH PIECE LENGTHS RUN PARALLEL TO BEAM LENGTHS

BEAM LENGTH	COMBINATIONS OF PIECE LENGTHS	# OF DECK SUPPORTS
36"	36"	2
48"	48"	2
60"	24" plus 36"	4
72"	36" plus 36"	4
84"	36" plus 48"	4
96"	48" plus 48"	4

WIDE SPAN SHELVING ASY 061

BASIC INSTALLATION

1

Snap chalklines on floor as shown for shelving layout. See diagram on page one for dimensions.

2

Raise first frame to vertical position and install first beam...frame will now stand alone.
NOTE! If floor anchors or extension frames are to be used, they should be installed prior to raising frames to the vertical position...see pages 5-6.

3

Raise second frame to vertical and install free end of first beam... install second beam on opposite side.

4

Install upper beams at designated levels.

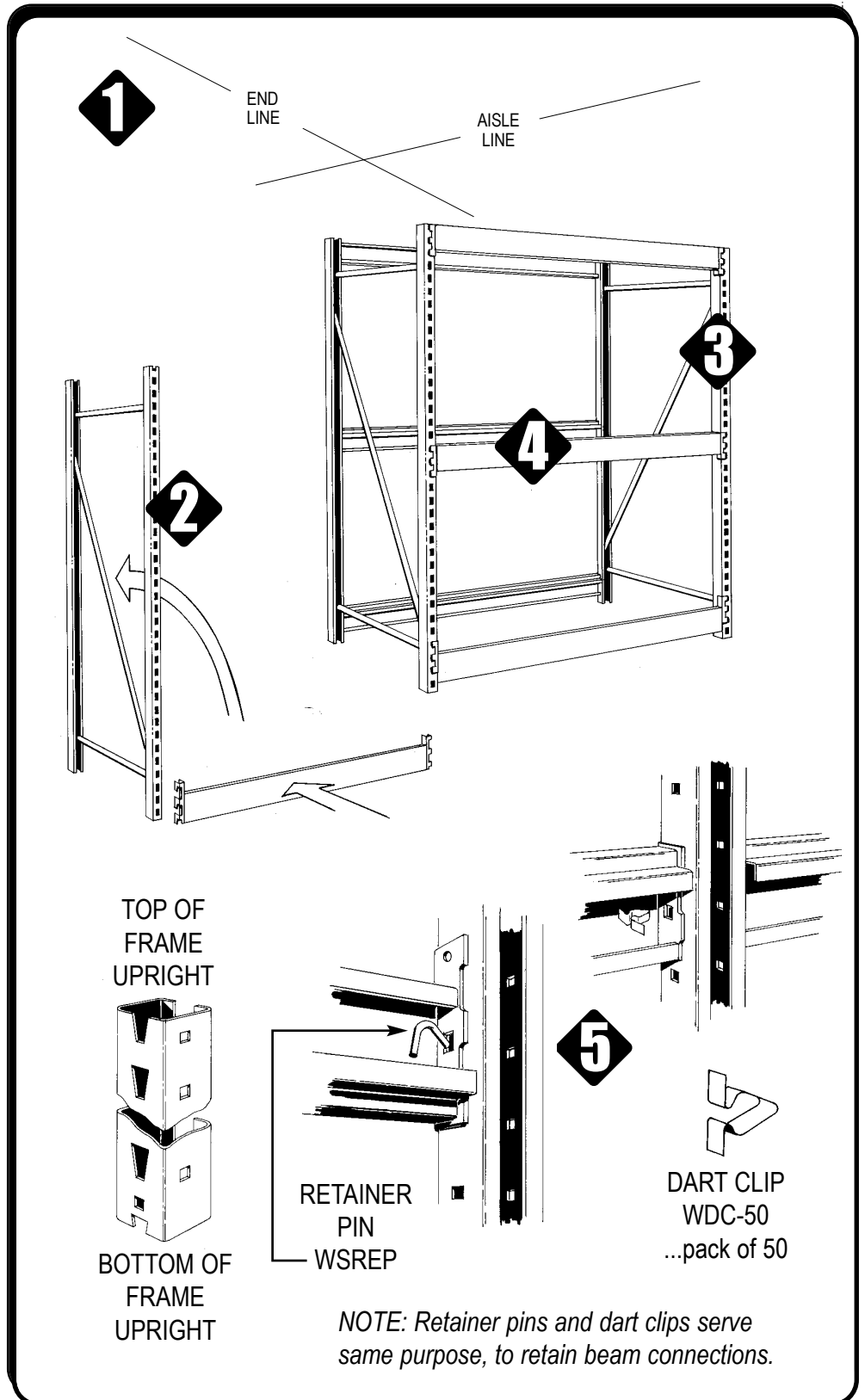
5

If using Dart Clips:

Press dart clips through beam bracket and upright on under side of beam as shown. Insert one dart clip at each end of all beams.

If using Retainer Pins:

Insert one leg of a retainer pin through beam bracket and upright. Insert one pin at each end of all beams.



NOTE: Retainer pins and dart clips serve same purpose, to retain beam connections.

WIDE SPAN SHELVING ASY 061

BASIC INSTALLATION

6

Repeat assembly sequence with remaining frames, beams and dart clips/retainer pins.
NOTE! If back to back runs are being installed, see page 6 for back to back connectors.

7

Holding the deck support at an angle to the beam, squeeze the open side and insert into the beam, then swing the free end around to the opposite beam, squeeze the open side and insert into the beam.

8

Squeeze the open side of the deck support at each end just inside the beam and rotate upwards as shown.

9

Correct installed position will look like this...see above for quantity of deck supports per beam length.

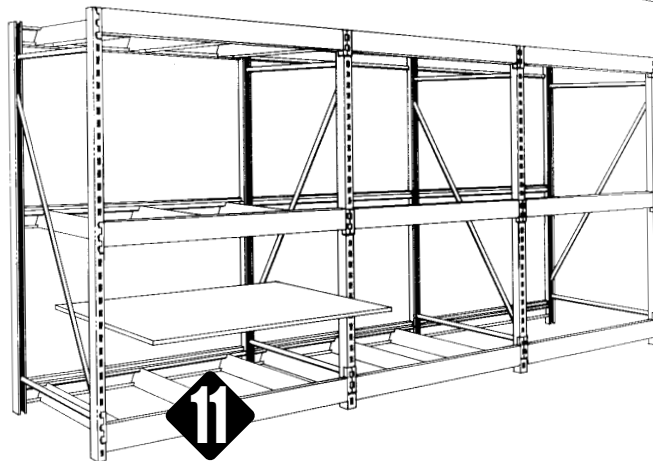
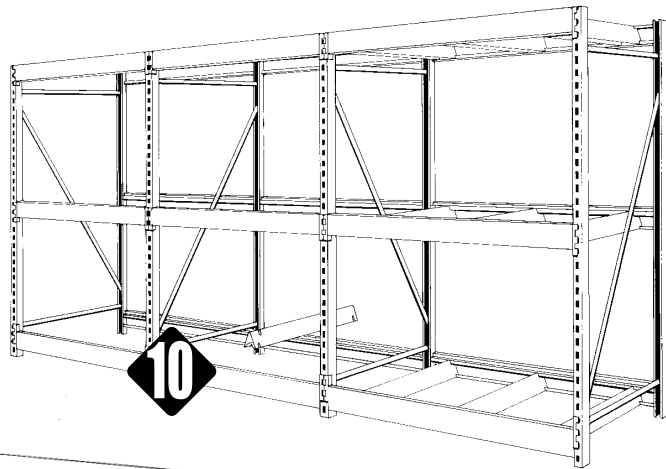
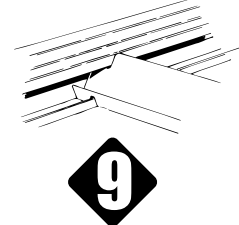
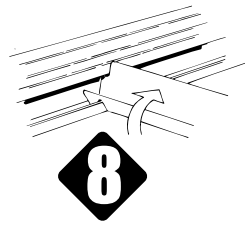
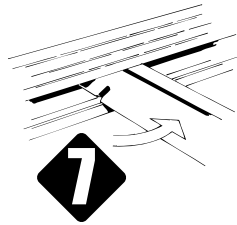
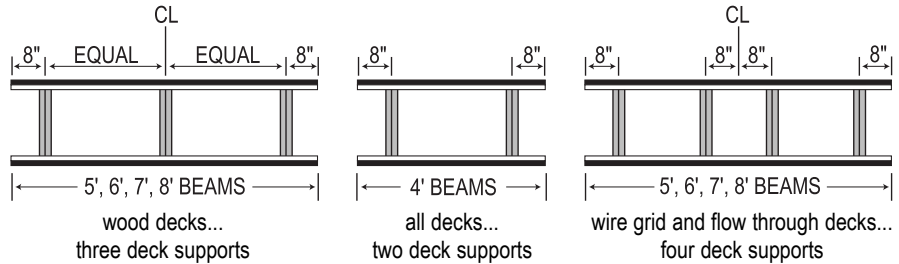
10

Repeat with the remaining deck supports in the shelving run.

11

Install all decks in the shelving run.

DECK SUPPORTS... QUANTITY & LOCATION



WIDE SPAN SHELVING ASY 061

INSTALLATION OF EXTRAS

12

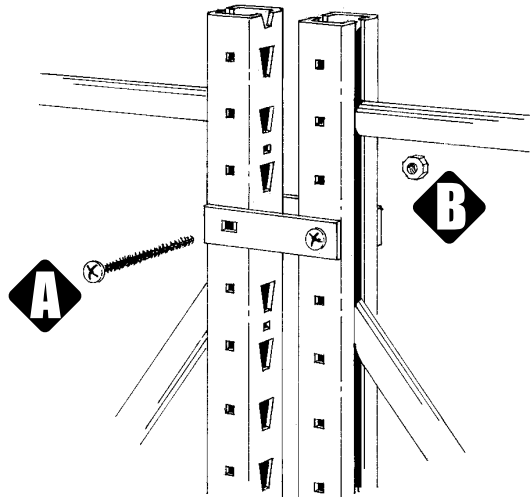
The first sections of the back to back run should be erected with beams at top and bottom of the four frames. Locate the connectors just below the top beams and just above the bottom beams. Secure with the fasteners as shown.

13

Repeat with the remaining sections.

14

Install all intermediate beams as required, then install a third connector as close as possible to the mid-point of the frames. Complete the shelving run with the deck supports and decks.



BACK TO BACK CONNECTOR
WSBBC-2-24

WSBBC-2-24 HARDWARE PACK #7200-079		
QTY.	ITEM DESCRIPTION	
A 48	1/4 - 20 x 2 1/4" carriage bolt	
B 48	1/4 - 20 wing nut	

A ...indicates item, where used.

15

In the sixth square hole from the top of the lower frame, insert a stop to prevent the connector from dropping to the floor.

16

Insert connector into frame with flat center of connector facing the slotting.

17

Screw connector to lower frame with provided fasteners...remove the stop.

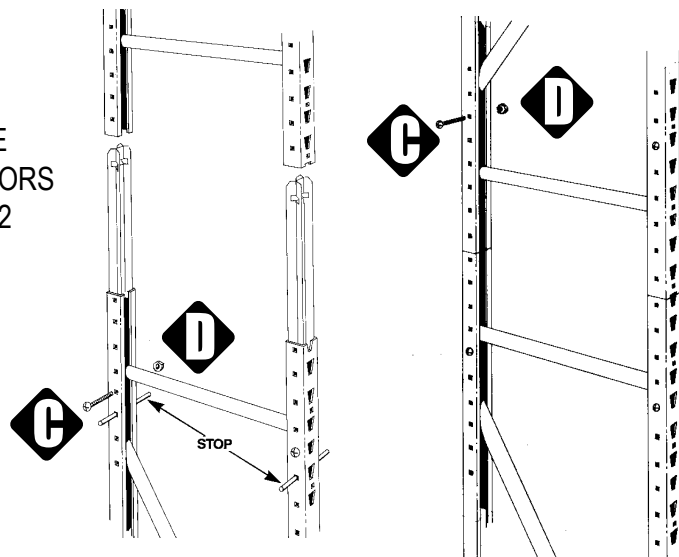
18

Repeat above with the 2nd upright of the frame.

19

Lower upper frame onto connectors and secure through the sixth hole up from the joint.

FRAME CONNECTORS
WSFC-2



WSFC-2 HARDWARE PACK #7200-078		
QTY.	ITEM DESCRIPTION	
C 4	1/4 - 20 x 2" Phillips truss head machine screw	
D 4	1/4 - 20 hex nut	

C ...indicates item, where used.

WIDE SPAN SHELVING ASY 061

FLOOR ANCHOR WSFA-2

INSTALLATION OF EXTRAS

NOTE! IF FRAME HEIGHT, OR TOTAL HEIGHT OF CONNECTED FRAMES, IS MORE THAN SIX TIMES THE FRAME DEPTH ...FRAMES MUST BE SECURED WITH FLOOR ANCHORS.

20

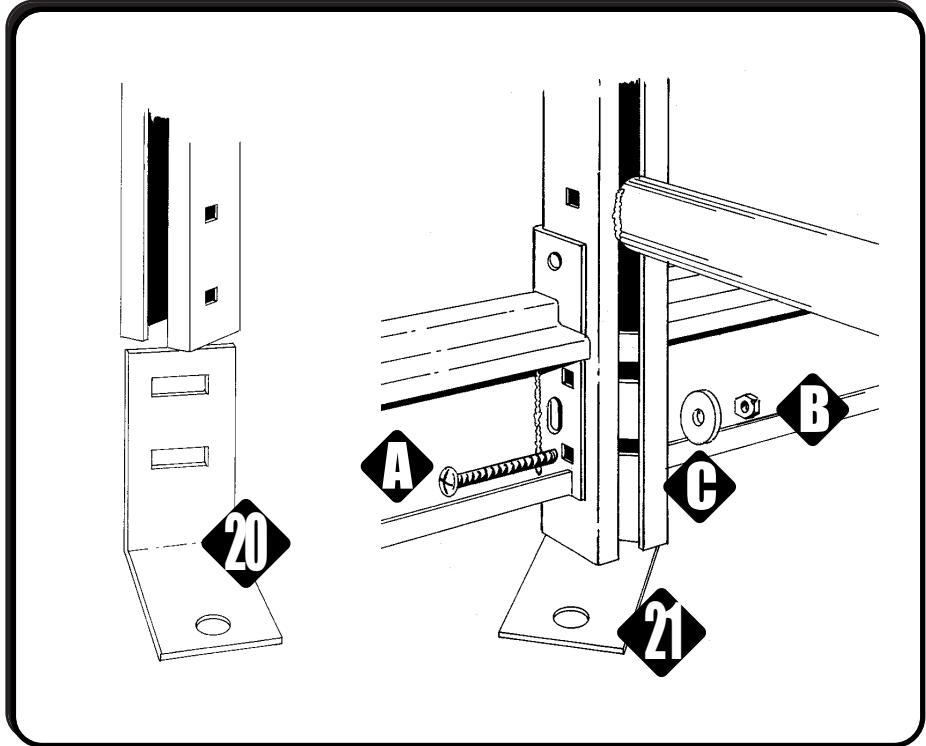
Insert floor anchors into the bottom of each frame. They will only insert at 45° to the frame. Make sure that anchors are inserted so that they will not project into aisles or cross aisles.

21

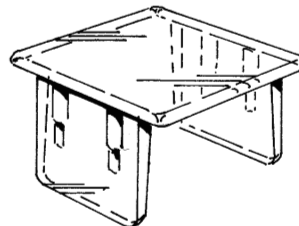
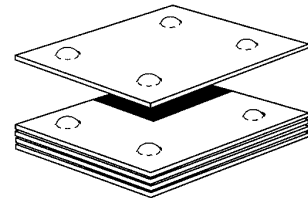
Follow directions on page 4 to step 6, except do not install dart clips on bottom beams. Secure beams to frames through the floor anchor as shown. The screw will go through at one of the two locations, depending on the beam size.

22

Check run alignment to chalkline prior to drilling floor for expansion bolts. Due to varying floor conditions, expansion bolts must be ordered separately. If they were not ordered initially, but are required, see page 8 to order from Madix or purchase locally.



LEVELING SHIM
WLSL-10C
 Ten pack of galvanized shims...dimpled to fit in bottom of upright and maintain stacking interlock.



TOP CAP
WSTC - □ -CL
 Packs of 4 or 48 clear plastic top caps, two per frame. Tap into top of each frame upright.

WSFA-2 HARDWARE PACK #7200-080

QTY.	ITEM	DESCRIPTION
2	A	1/4 - 20 x 2 1/2" round head machine screw
2	B	1/4 - 20 hex nut
2	C	1/4" flat washer

A...indicates item, where used.

WIDE SPAN SHELVING

ASY 061

L O A D S A F E T Y

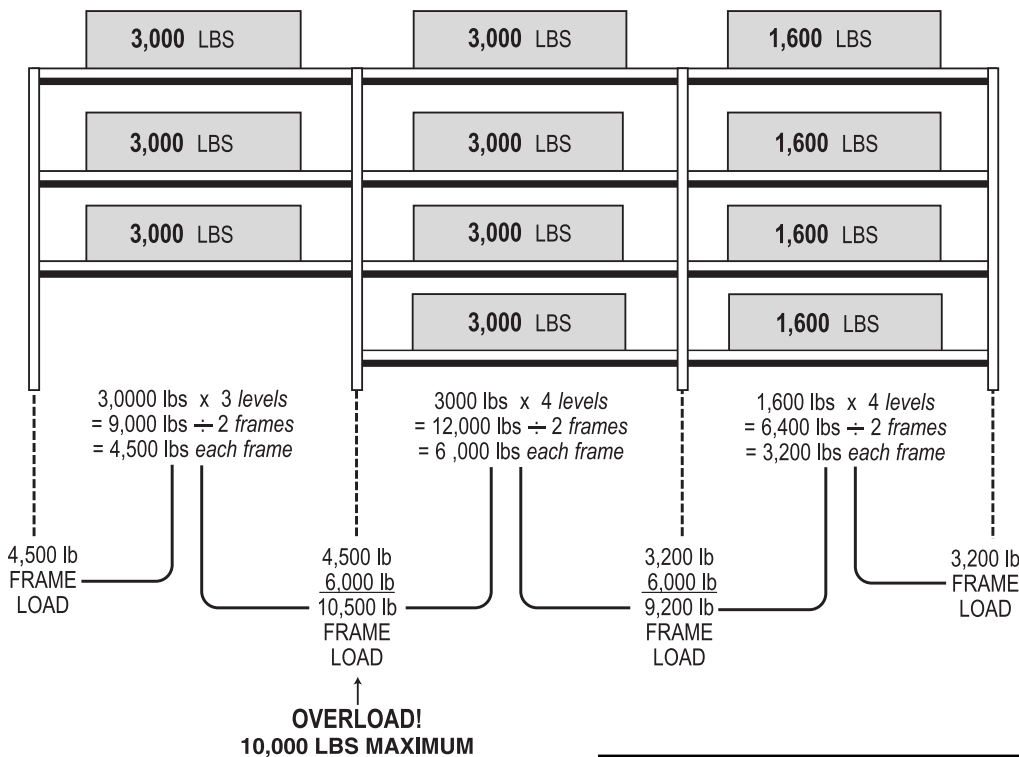


HAND STACK ONLY!
 POWERED FORK TRUCKS
 OR STACKERS ARE NOT
 RECOMMENDED FOR USE
 ON WIDE SPAN SHELVING



FRAME LOADING

Frame loading is the vertical load, measured in pounds, that can be applied on any Wide span frame. Each Wide span frame will bear ONE HALF OF THE LOAD ON EACH BEAM PAIR that it supports. **ALL FRAMES HAVE 10,000 POUND LOAD CAPACITY!**



MAXIMUM BEAM LOAD CAPACITY ...PER BEAM PAIR

- Based on evenly distributed loads
- Based on 96" beam length, all frame widths

BEAM LENGTH	LIGHT DUTY	REGULAR DUTY	HEAVY DUTY	# OF DECK SUPPORTS
48"	1000 #	1600 #	3000 #	2
60"	1000 #	1600 #	3000 #	3
72"	1000 #	1600 #	3000 #	3
84"	1000 #	1600 #	3000 #	3
96"	1000 #	1600 #	3000 #	3

WIDE SPAN SHELVING

ASY 061

SAFETY DURING INSTALLATION

GENERAL

1. Contact the local building department prior to starting installation to check on any restrictions.
2. Only parts and accessories produced or supplied by Madix are covered by Madix warranty.
3. Installation sequence must be followed exactly for assembly and leveling.
4. Under no circumstances should damaged parts be used.
5. Do not use shelving parts or accessories for any purpose other than originally intended.
6. Installation instructions with product load ratings are included with each order and must be followed carefully.
7. Merchandisers must be made aware of possible overloading as specified in load ratings. If you do not receive these, please contact your sales or customer service representative.
8. Initial installation or relocation of Madix gondola, wall or racking fixtures should be supervised exclusively by qualified personnel.

RACKING... FRAMES / BEAMS

9. Observe all prohibitions in the installation instructions on the use of powered lifts.
10. A minimum of four people are required to erect frames taller than 8'.
11. Be sure all beams or accessories are completely seated and locked or secured in frame slotting.
12. Ladders, if used, should be at least frame height.
13. Never stand on lower beams to install upper beams.
14. Do not walk on decks, especially wire grid.
15. Never try to move a completed racking run, especially if merchandised.

